

SPECIFY FLANGE FINISH	
GALV. STEEL (G01)	
MILL ALUMINUM (A01)	
EPDM (E01)	
STAINLESS STEEL (S01)	
COPPER (C01)	
<b>STANDARD: G01</b>	
ADDNL. COST APPLY FOR ALT. FLANGE FINISHES AND DIMS	

674-G02-050

JOINT WIDTH		MOVEMENT ±			
		HORIZONTAL		VERTICAL	
US	mm	US	mm	US	mm
2"	51	1"	25	1"	25

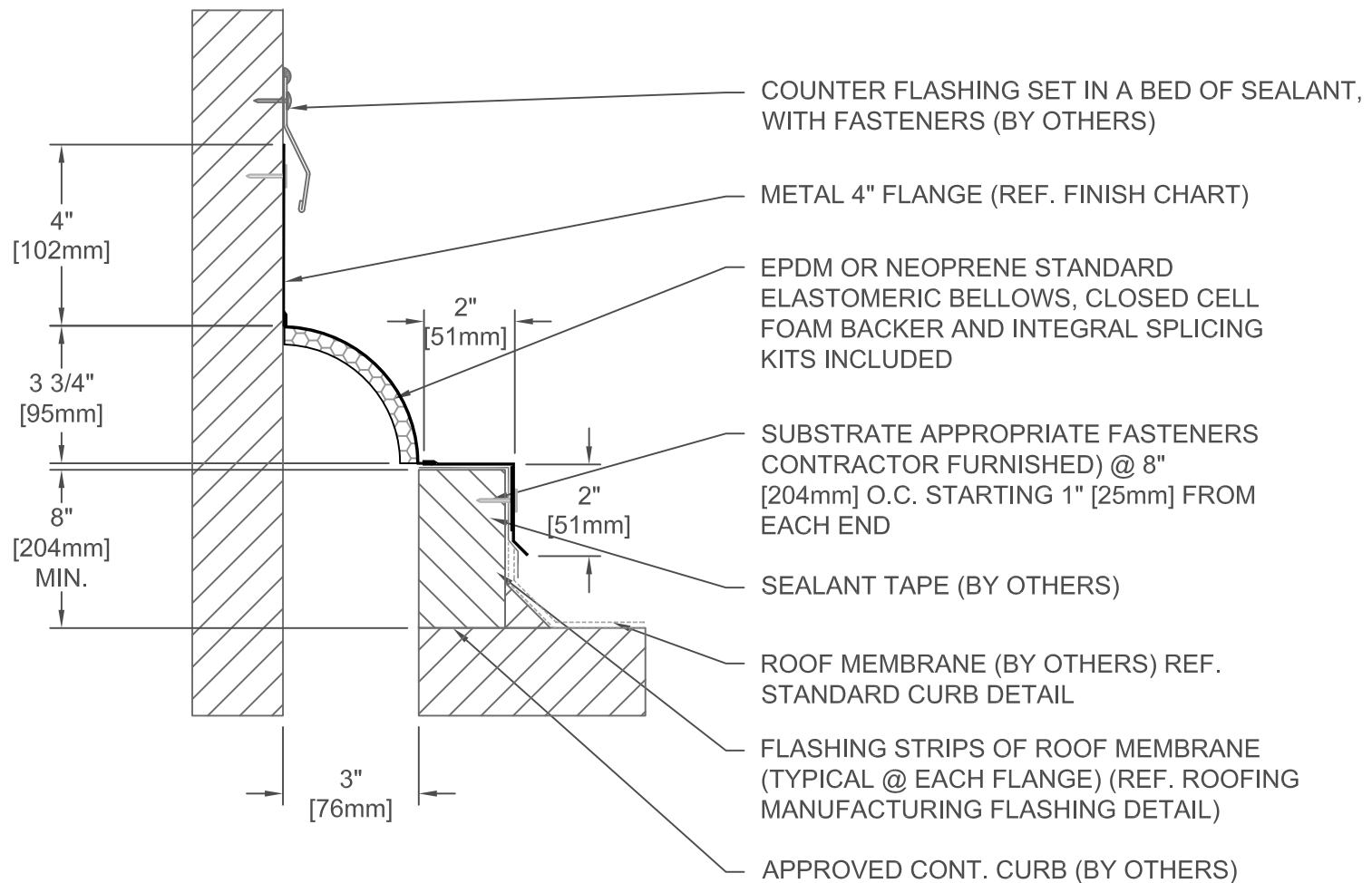
FINISH: MILL
PROJECT:
CUSTOMER:
LOCATION:

APPLICATION-  
CURB FLANGE ROOF/WALL CONDITION

DATE:	9-13-05
SCALE:	1:4
DOC:	CADJM.014/R4



For More Information Visit: Inprocorp.com



SPECIFY FLANGE FINISH	
GALV. STEEL (G01)	
MILL ALUMINUM (A01)	
EPDM (E01)	
STAINLESS STEEL (S01)	
COPPER (C01)	
<b>STANDARD: G01</b>	
ADDNL. COST APPLY FOR ALT. FLANGE FINISHES AND DIMS	

## 674-G02-075

JOINT WIDTH		MOVEMENT ±			
		HORIZONTAL		VERTICAL	
US	mm	US	mm	US	mm
3"	76	1 1/2"	38	1 1/2"	38

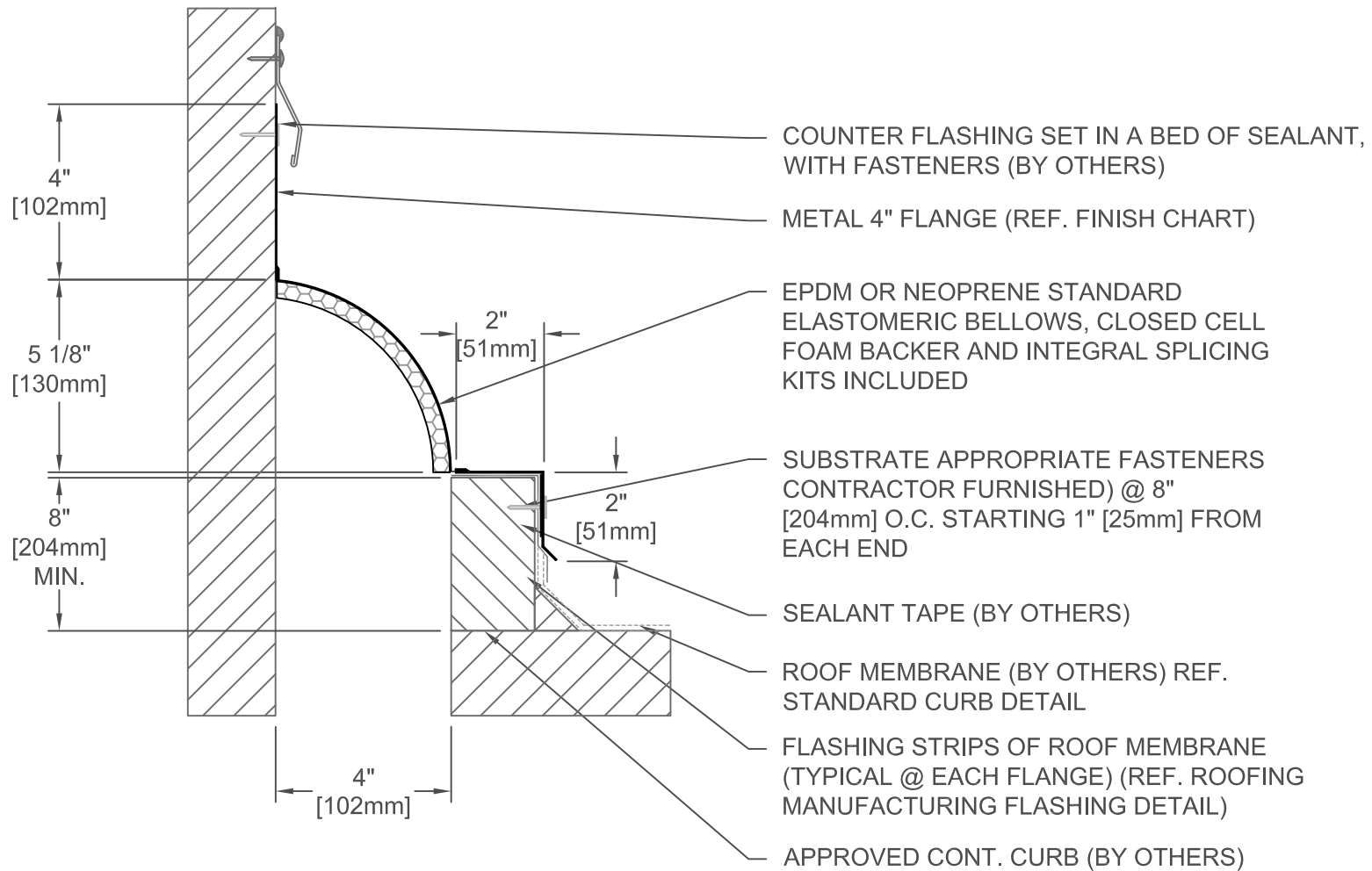
FINISH: MILL
PROJECT:
CUSTOMER:
LOCATION:

### APPLICATION- CURB FLANGE ROOF/WALL CONDITION

DATE:	9-13-05
SCALE:	1:4
DOC:	CADJM.014/R4



For More Information Visit: [Inprocorp.com](http://Inprocorp.com)



SPECIFY FLANGE FINISH	
GALV. STEEL (G01)	
MILL ALUMINUM (A01)	
EPDM (E01)	
STAINLESS STEEL (S01)	
COPPER (C01)	
<b>STANDARD: G01</b>	
ADDNL. COST APPLY FOR ALT. FLANGE FINISHES AND DIMS	

## 674-G02-100

JOINT WIDTH		MOVEMENT ±			
		HORIZONTAL		VERTICAL	
US	mm	US	mm	US	mm
4"	102	2"	51	2"	51

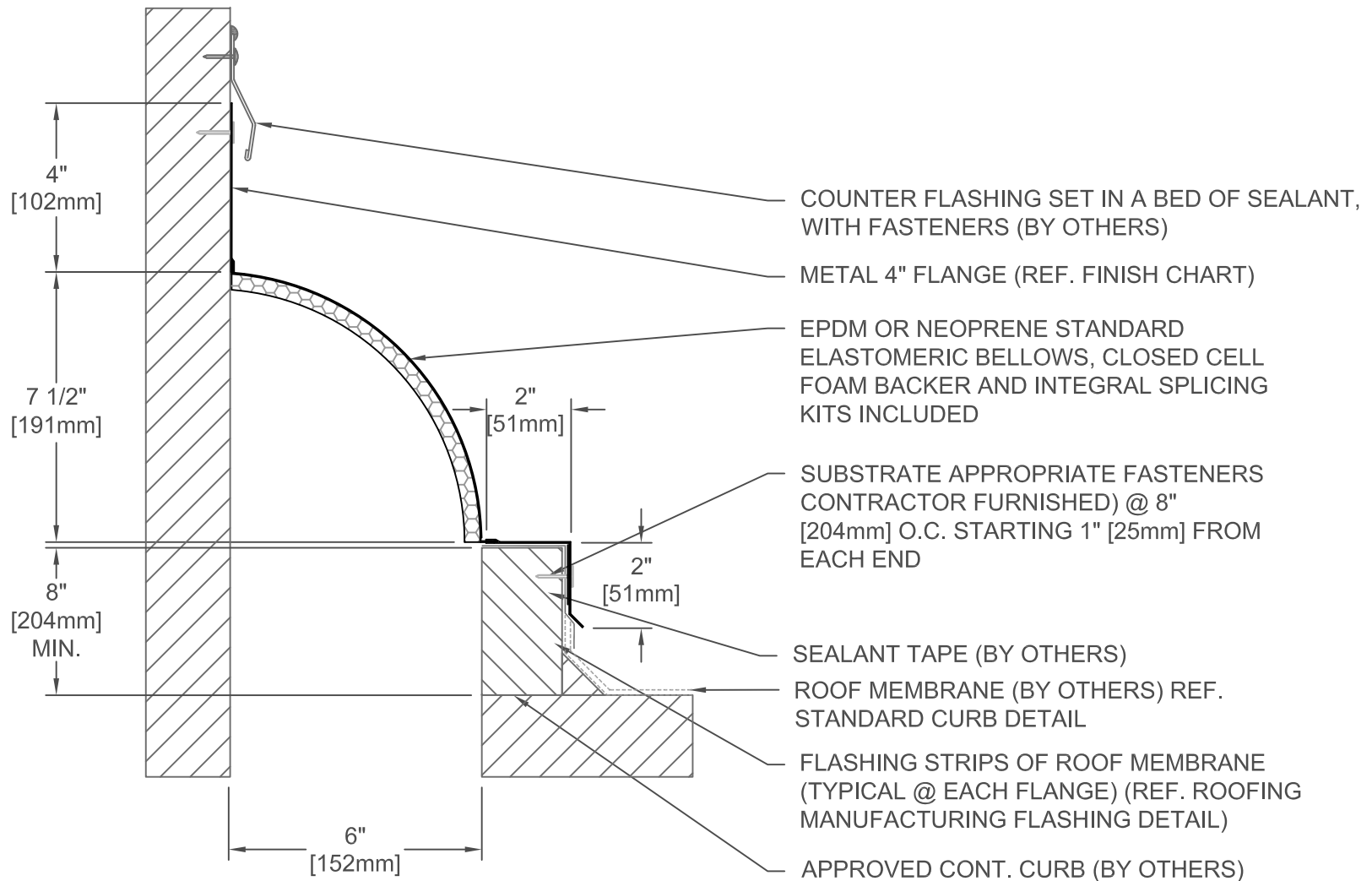
FINISH: MILL
PROJECT:
CUSTOMER:
LOCATION:

APPLICATION-  
CURB FLANGE ROOF/WALL CONDITION

DATE:	9-13-05
SCALE:	1:4
DOC:	CADJM.014/R4

**inpro.**

For More Information Visit: [Inprocorp.com](http://Inprocorp.com)



SPECIFY FLANGE FINISH	
GALV. STEEL (G01)	
MILL ALUMINUM (A01)	
EPDM (E01)	
STAINLESS STEEL (S01)	
COPPER (C01)	
<b>STANDARD: G01</b>	
ADDNL. COST APPLY FOR ALT. FLANGE FINISHES AND DIMS	

## 674-G02-150

JOINT WIDTH		MOVEMENT ±			
		HORIZONTAL		VERTICAL	
US	mm	US	mm	US	mm
6"	152	3"	76	3"	76

FINISH: MILL

PROJECT:

CUSTOMER:

LOCATION:

APPLICATION-  
CURB FLANGE ROOF/WALL CONDITION

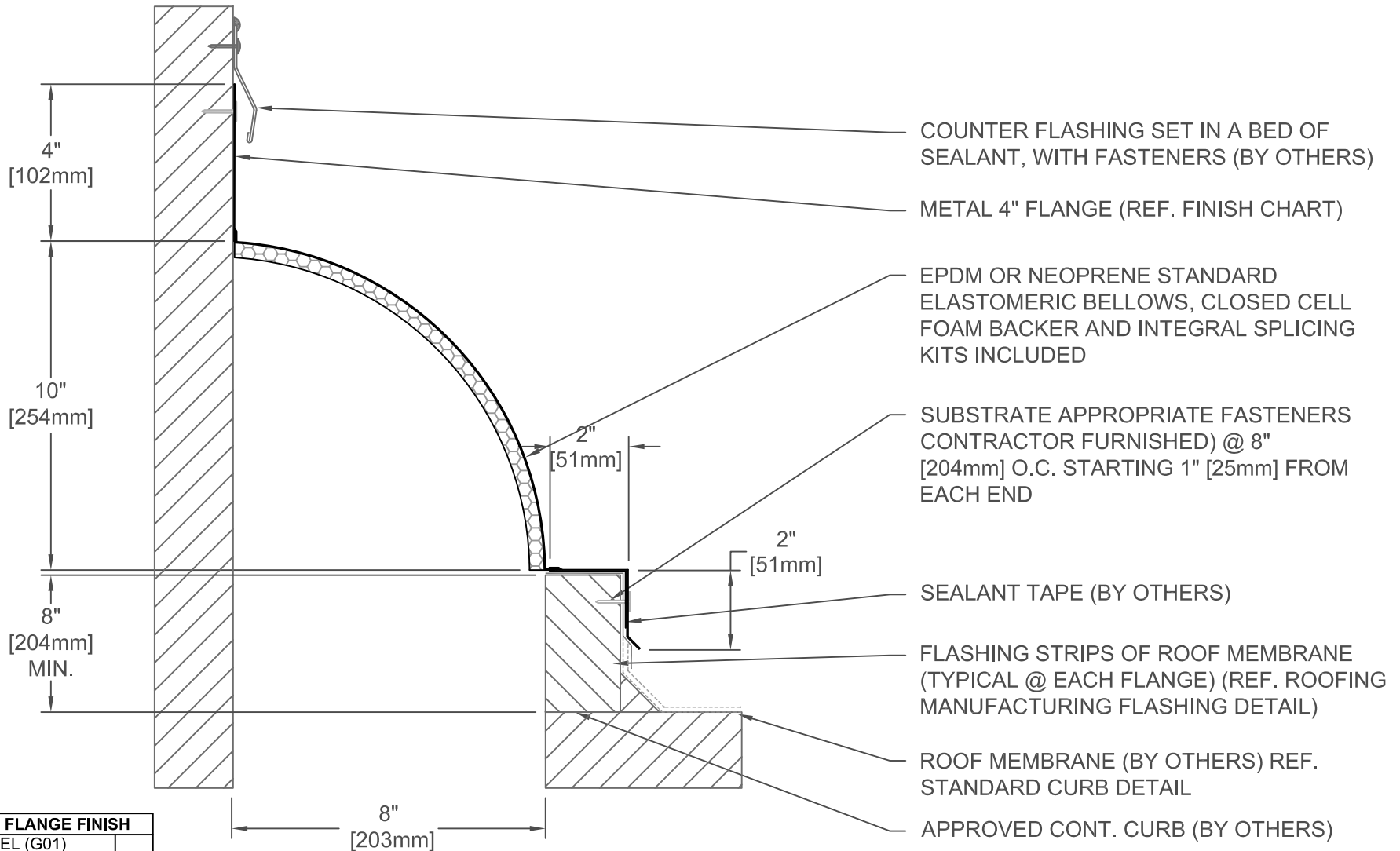
DATE: 9-13-05

SCALE: 1:4

DOC: CADJM.014/R4

**inpro.**

For More Information Visit: [Inprocorp.com](http://Inprocorp.com)



SPECIFY FLANGE FINISH	
GALV. STEEL (G01)	
MILL ALUMINUM (A01)	
EPDM (E01)	
STAINLESS STEEL (S01)	
COPPER (C01)	
<b>STANDARD: G01</b>	
ADDNL. COST APPLY FOR ALT. FLANGE FINISHES AND DIMS	

## 674-G02-200

JOINT WIDTH		MOVEMENT ±			
		HORIZONTAL		VERTICAL	
US	mm	US	mm	US	mm
8"	204	4"	102	4"	102

FINISH: MILL
PROJECT:
CUSTOMER:
LOCATION:

APPLICATION-  
CURB FLANGE ROOF/WALL CONDITION

DATE:	9-13-05
SCALE:	1:4
DOC:	CADJM.014/R4



For More Information Visit: [Inprocorp.com](http://Inprocorp.com)