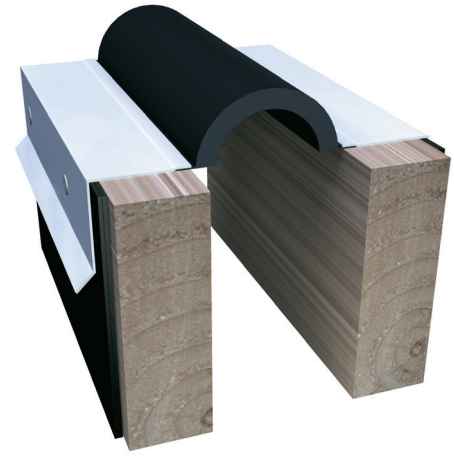


674 Series

G01 - Roof to Roof
G02 - Roof to Wall



Movement Rating ± 50%

Product Guide



Seismic



Exterior



Fire Rated
Option



Vapor Barrier
Option

- ▶ Weatherproof roof system that will remain watertight during the severest seismic events
- ▶ Splicing kits provided for simple installation
- ▶ Black EPDM bellows with galvanized flanges standard
- ▶ White EPDM bellows available
- ▶ Optional PVC bellows and flange available
- ▶ Optional stainless steel, copper, aluminum and EPDM flanges available
- ▶ Factory preformed transitions available

Application	System	W		H1		H2		S		B		Movement +/-			
		Joint Width		Frame Height 1		Height 2		Sightline		Blockout		Horizontal		Vertical	
		US	mm	US	mm	US	mm	US	mm	US	mm	US	mm	US	mm
Roof/Roof	674-G01-050	2"	51	*	*	*	*	*	*	*	*	1"	25	1"	25
	674-G01-075	3"	76	*	*	*	*	*	*	*	*	1 1/2"	38	1 1/2"	38
	674-G01-100	4"	102	*	*	*	*	*	*	*	*	2"	51	2"	51
	674-G01-150	6"	152	*	*	*	*	*	*	*	*	3"	76	3"	76
	674-G01-200	8"	203	*	*	*	*	*	*	*	*	4"	102	4"	102
Roof/Wall	674-G02-050	2"	51	*	*	*	*	*	*	*	*	1"	25	1"	25
	674-G02-075	3"	76	*	*	*	*	*	*	*	*	1 1/2"	38	1 1/2"	38
	674-G02-100	4"	102	*	*	*	*	*	*	*	*	2"	51	2"	51
	674-G02-150	6"	152	*	*	*	*	*	*	*	*	3"	76	3"	76
	674-G02-200	8"	203	*	*	*	*	*	*	*	*	4"	102	4"	102

May be available in larger widths, please contact InPro Corporation for more details.

IPC.1198/REV.7

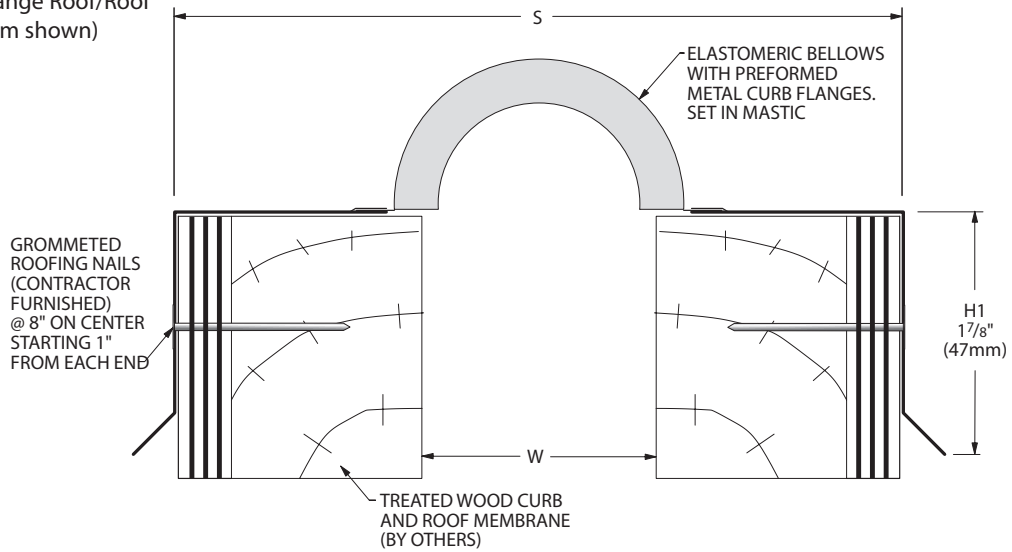
Inprocorp.com • 800.222.5556 • 262.679.9010
World Headquarters S80 W18766 Apollo Drive, Muskego, WI 53150 USA

JOINTMASTER®
EXPANSION JOINT SYSTEMS
A DIVISION OF INPRO®

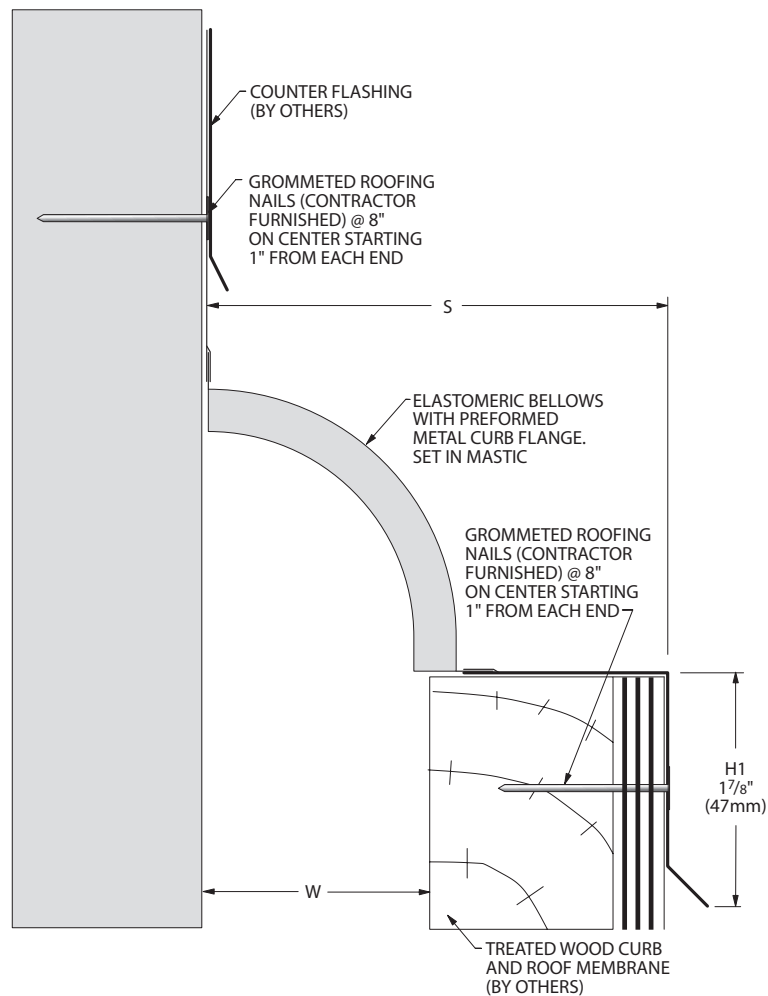
674 Series

Bellows Roof Systems

674-G01 Curb Flange Roof/Roof
(2" (50mm) system shown)



674-G02 Curb Flange Roof/Wall
(2" (50mm) system shown)

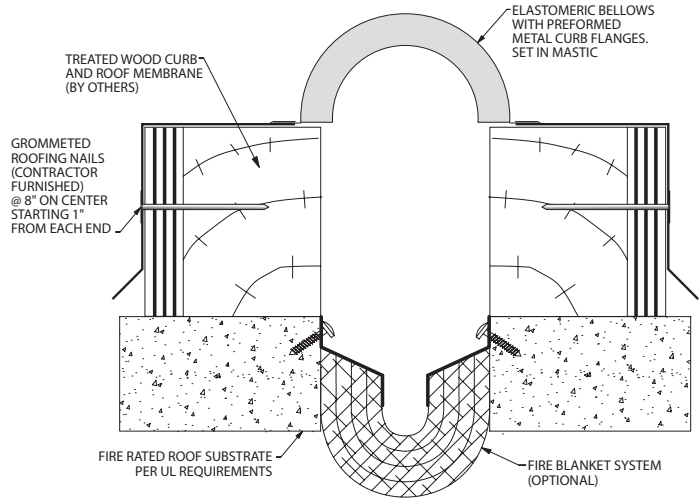
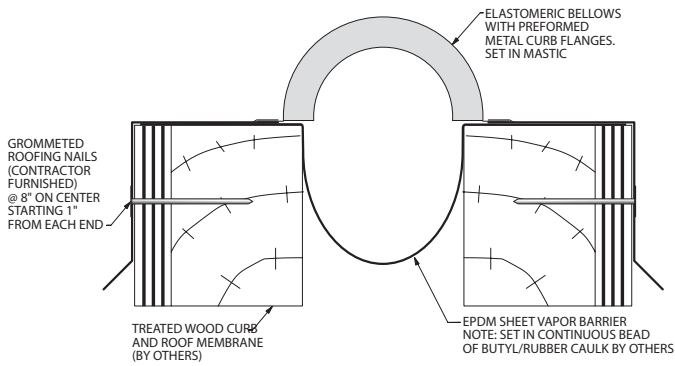


674 Series

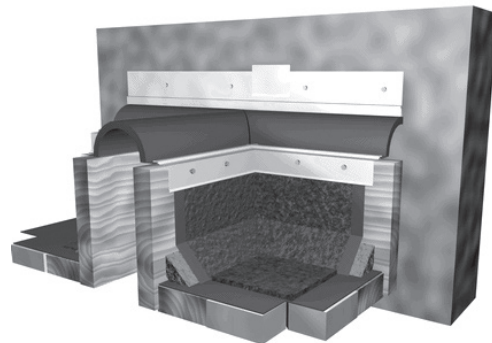
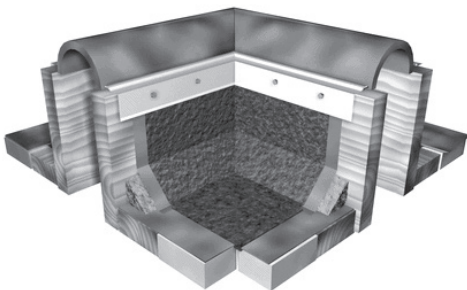
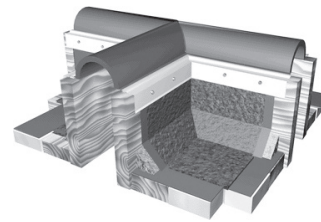
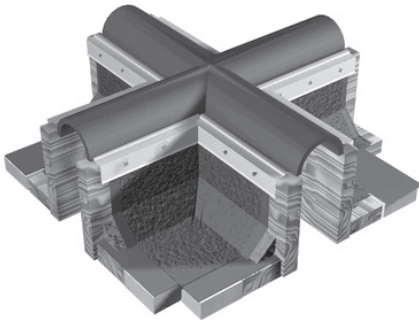
Options

Wrap Around Vapor Barrier
(674-G01-050 system shown)

Fire Blanket System
(674-G01-050 system shown)



Factory Preformed Intersections/Transitions
Consult factory for available configurations.



Inprocorp.com • 800.222.5556 • 262.679.9010

World Headquarters S80 W18766 Apollo Drive, Muskego, WI 53150 USA

JOINTMASTER®

EXPANSION JOINT SYSTEMS
A DIVISION OF INPRO®