

Installation Instructions

Joint System: 674-G01

Note: Verify that the structural gap is in conformance with submittal data before beginning installation. If this is a Fire Rated Assembly, install the fire barrier before the Architectural Joint System. Refer to the fire barrier instructions for specific system installation.

Fig. 1

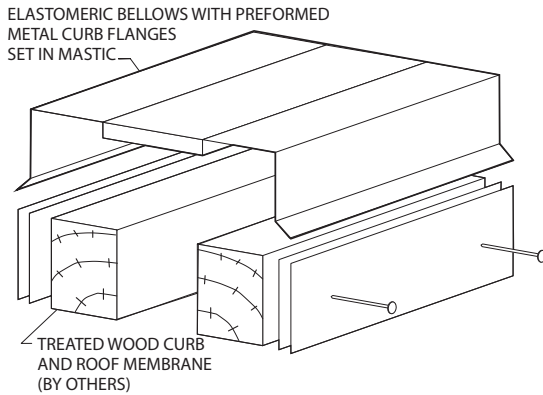


Fig. 1a

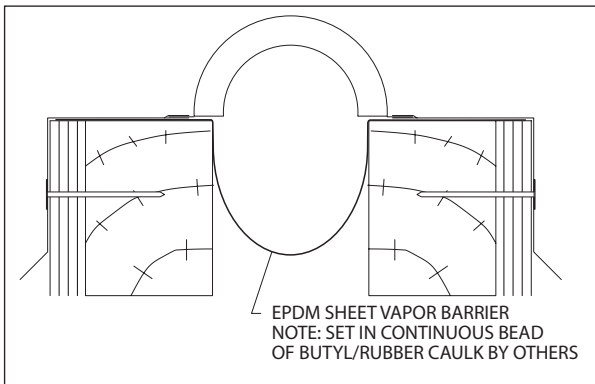


Fig. 2

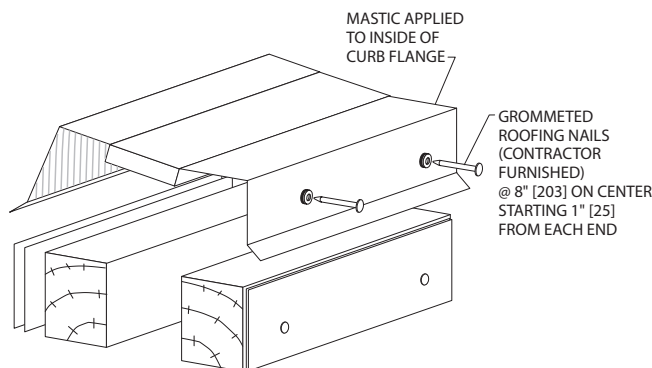


Figure 1

1. Roof membrane or flashing (by others) must be installed on/over supporting curb prior to installation of bellows system. For joint openings over 8" wide, foam bellows must be supported by curb.
 - a. Optional EPDM Vapor Barrier: Apply membrane compatible mastic (contractor furnished) to top edge of both supporting curbs. Starting from one end, embed one side of the vapor barrier in mastic on the curb. Repeat on opposite side, allowing excess material to drape into the joint opening. If necessary, vapor barrier may be fastened to the substrate with roofing nails. Fold ends up or weep out. (see Figure 1a)

Figure 2

2. Locate and install all intersections (corners, tees and crossovers) and transitions first. Apply membrane compatible mastic (contractor furnished) to inside surfaces of curb flanges at these locations. Position flanges over supporting curbs and nail in place using contractor furnished 1 3/4" grommeted roofing nails at 2" - 4" centers.

IPC.900/REV.1

Installation Hotline • 866.EZINPRO
Inprocorp.com • 800.222.5556 • 262.679.9010
World Headquarters S80 W18766 Apollo Drive, Muskego, WI 53150 USA

JOINTMASTER™
EXPANSION JOINT SYSTEMS

Installation Instructions

Joint System: 674-G01

Fig. 3

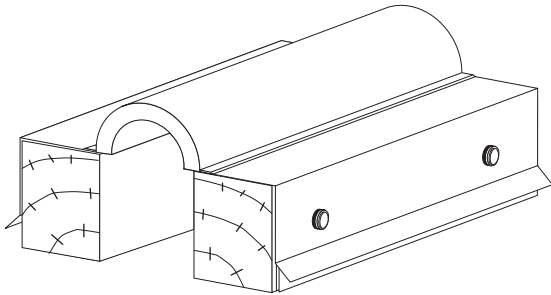


Figure 3

3. Apply membrane compatible mastic (contractor furnished) to inside surfaces of curb flange on straight 10' section. Position first flange over supporting curb and nail flange using contractor furnished 1 3/4" grommeted roofing nails, 8" on center starting 1" from each end. Leave 1/2" space between all intersections/transitions and succeeding sections. (Figure 3)

Fig. 4

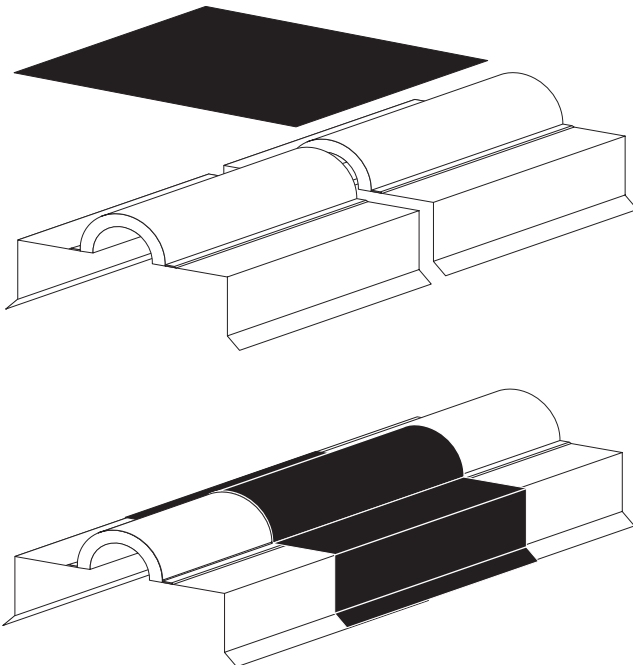


Figure 4

4. Squeeze bellows and set opposite flange on supporting curb. Nail flange as in Step 4.
5. With all sections in place, follow the splicing instructions to join bellows.

Figure 5

Splicing Instructions

1. Prime metal flanges and bellows 3" on each side of gap. Allow to dry tack free.
2. Apply a 1/4" bead of caulk along the seam where metal flange joins membrane, 3 1/2" long at each side of the gap.
3. Remove backing from splice tab, exposing peel and stick adhesive. Install over bellows and flanges.
4. Smooth out splice tab into bellows area to prevent "bridging" and to achieve a waterproof seal.
5. Adhere splice tab to metal flanges using compatible adhesive, ending tab at bottom edge of roof flange.

Installation Hotline • 866.EZINPRO

Inprocorp.com • 800.222.5556 • 262.679.9010

World Headquarters S80 W18766 Apollo Drive, Muskego, WI 53150 USA

JOINTMASTER™
EXPANSION JOINT SYSTEMS