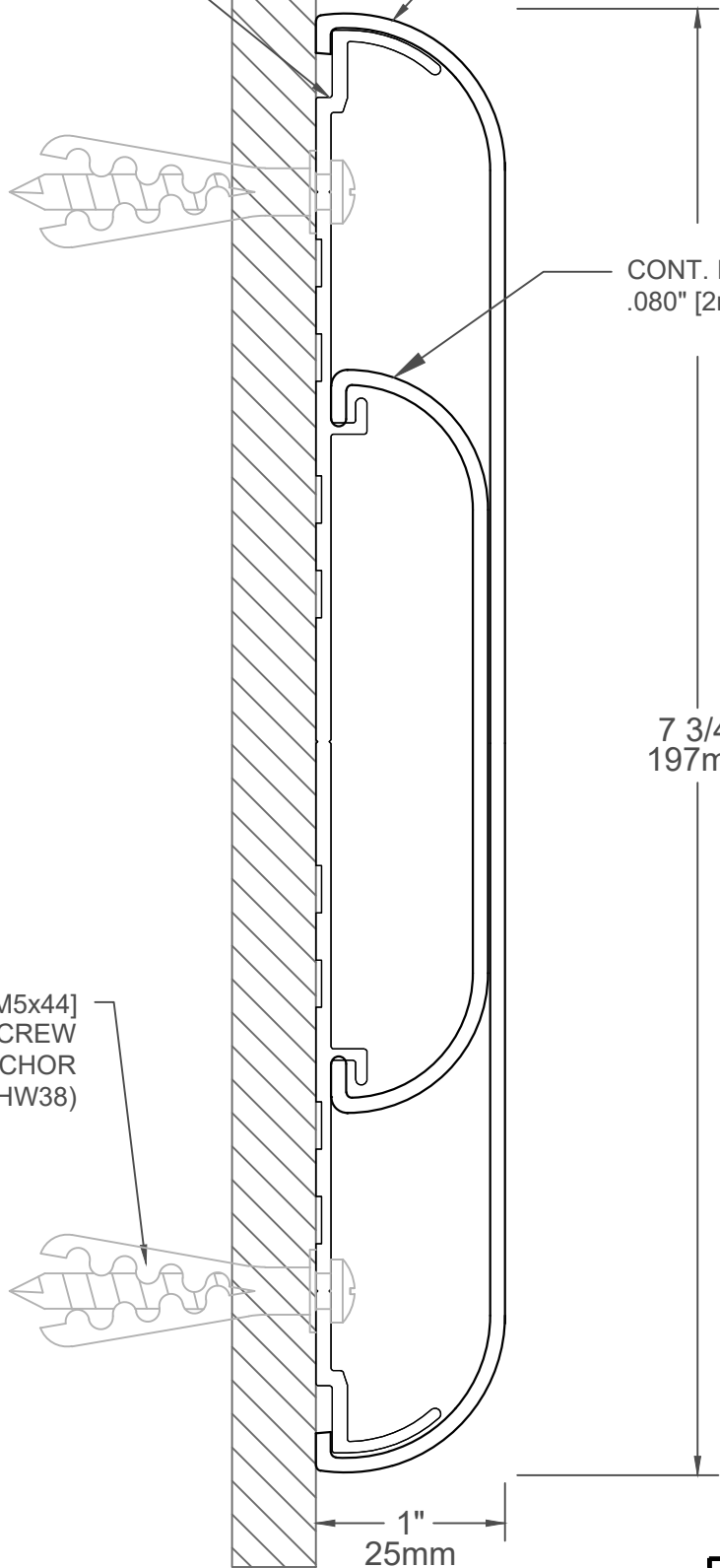


2" [51mm] ALUM. RETAINER
 .080" [2mm]
 SUPPORT SPACED
 @ 16" [406mm] O.C.

VINYL COVER
 .080" [2mm]



CONT. IMPACT BUMPER
 .080" [2mm]

7 3/4"
 197mm

#10 x 1 3/4" [M5x44]
 SHEET METAL SCREW
 W/ ALLIGATOR ANCHOR
 (HW53/HW38)

1"
 25mm

FINISH:

PROJECT:	
CUSTOMER:	
LOCATION:	

700i/700iw WALL GUARD

DATE:	12/15/98
SCALE:	1:1
DOC:	CADIPC.059/R1

inpro.
 For More Information Visit: Inprocorp.com