

# Installation Instructions

## 700i/700iW/G2-700i WALL GUARD

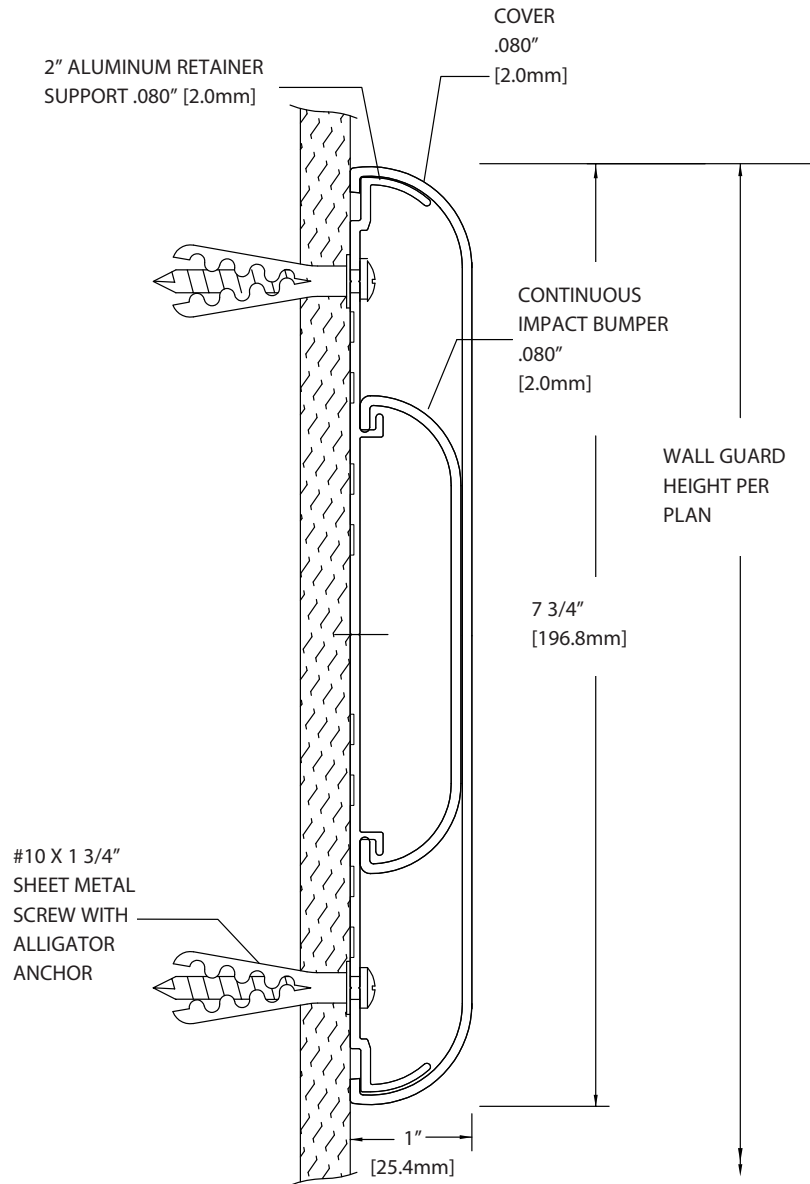
Please read all instructions before installing wallguard.

### Important

1. Acclimate materials 24 hrs before installation. Maintain temperature controlled environment after installation
2. Install in accordance with manufacturer's installation instructions. Failure to do so will void the warranty.

### Installation tips

1. Cut covers up to 1/16" (1.6mm) longer to ensure a tight fit.
2. Lubricate blades when cutting aluminum to reduce burrs.



### SECTION VIEW

#### Recommended tools

Safety Glasses, Tape Measure, Phillips bit for self drilling and sheet metal screws, Level, Power Drill, Drill Bits - 1/4" masonry (concrete/concrete block) bit, Power Miter Saw, 10" Blade with 60-80 Carbide Tipped Teeth

IPC.361\_REV 9

Installation Hotline • 866.EZINPRO  
Inprocorp.com • 800.222.5556 • 262.679.9010  
World Headquarters S80 W18766 Apollo Drive, Muskego, WI 53150 USA

**IPC** •  
DOOR + WALL PROTECTION SYSTEMS  
A DIVISION OF INPRO®

# Installation Instructions

## 700i/700iW/G2-700i WALL GUARD

Please read all instructions before installing wallguard.

### Components and fasteners



700V  
COVER



700RVL  
OPTIONAL  
REVEAL



700B  
IMPACT  
BUMPER



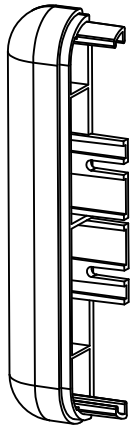
706A  
ALUMINUM  
SPLICE  
SUPPORT



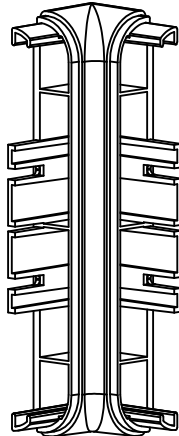
706AI-P  
5" [127.0mm]  
ALUMINUM



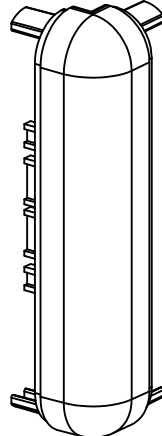
700AI  
2" [50.8mm]  
INFINITY






701  
END CAP



707  
INSIDE CORNER



702  
OUTSIDE CORNER

-  #8 x 1 1/2" PHILLIPS INDENTED  
HEX WASHER SELF-DRILLING  
SCREW
-  #10 X 1 3/4" SHEET METAL  
SCREW
-  ALLIGATOR  
ANCHOR

Conditions	Specified Fasteners	Inpro Part#
Infinity Wall Guard Profile Hardware	#10 x 1 3/4" Phillips Pan Head sheet metal screw, 1/4" Plastic Alligator anchor	HWK-700I
Concrete Hardware for End Caps	#10 x 1 3/4" Phillips Pan Head sheet metal screw, 1/4" Plastic Alligator anchor	HWK-701C
Drywall Hardware for End Caps	#8 1 1/2" Phillips Indented Hex Washer Self-Drilling Screws #2PT ZP	HWK-701D
Concrete Hardware for Corners	#10 x 1 3/4" Phillips Pan Head sheet metal screw, 1/4" Plastic Alligator anchor	HWK-702/707C
Drywall Hardware for Corners	#8 1 1/2" Phillips Indented Hex Washer Self-Drilling Screws #2PT ZP	HWK-702/707DW

Installation Hotline • 866.EZINPRO  
 Inprocorp.com • 800.222.5556 • 262.679.9010  
 World Headquarters S80 W18766 Apollo Drive, Muskego, WI 53150 USA

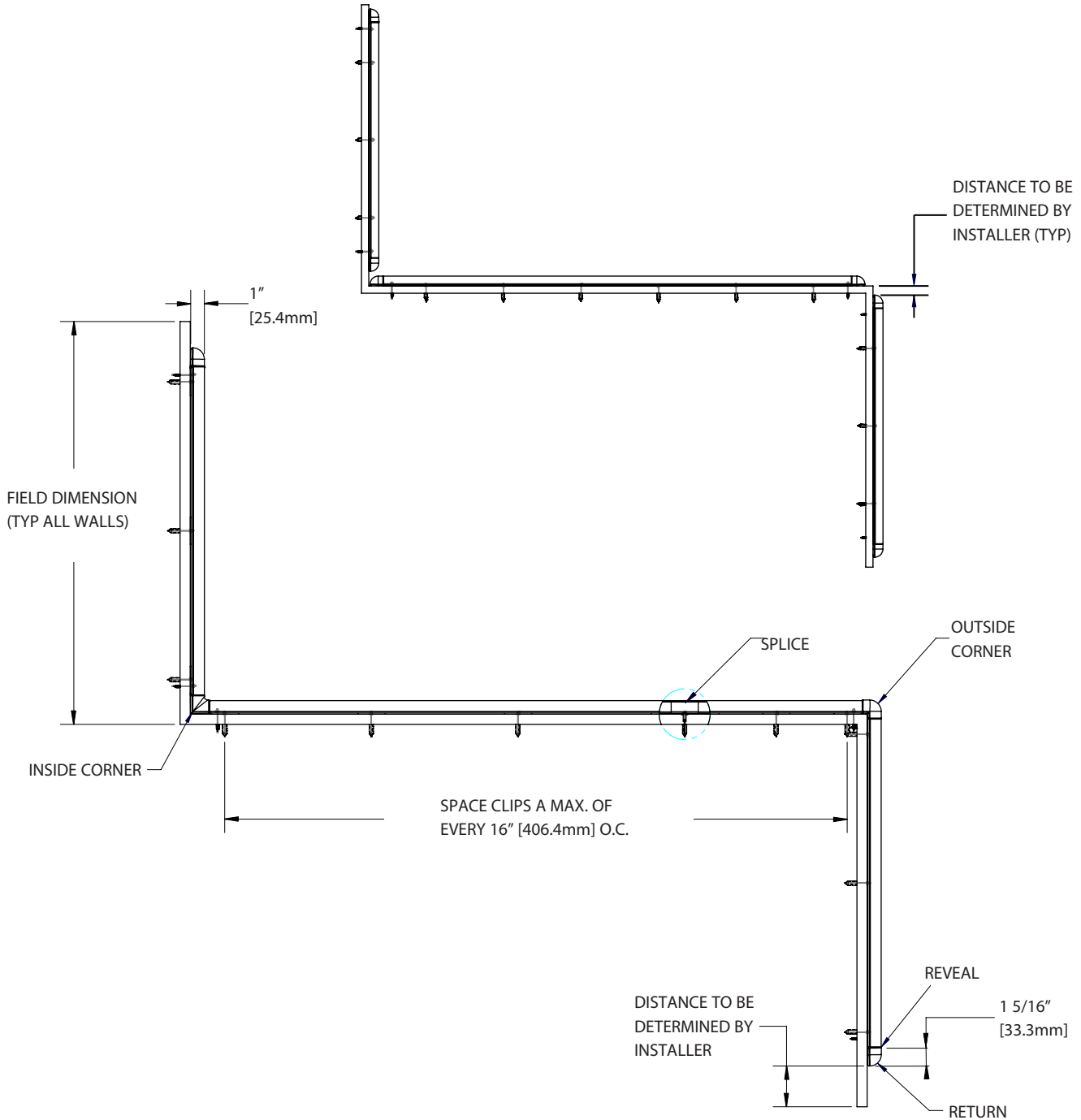
**IPC**®  
 DOOR + WALL PROTECTION SYSTEMS  
 A DIVISION OF INPRO®

# Installation Instructions

## 700i/700iW/G2-700i WALL GUARD

Please read all instructions before installing wallguard.

### Layout view



Installation Hotline • 866.EZINPRO  
Inprocorp.com • 800.222.5556 • 262.679.9010  
World Headquarters S80 W18766 Apollo Drive, Muskego, WI 53150 USA

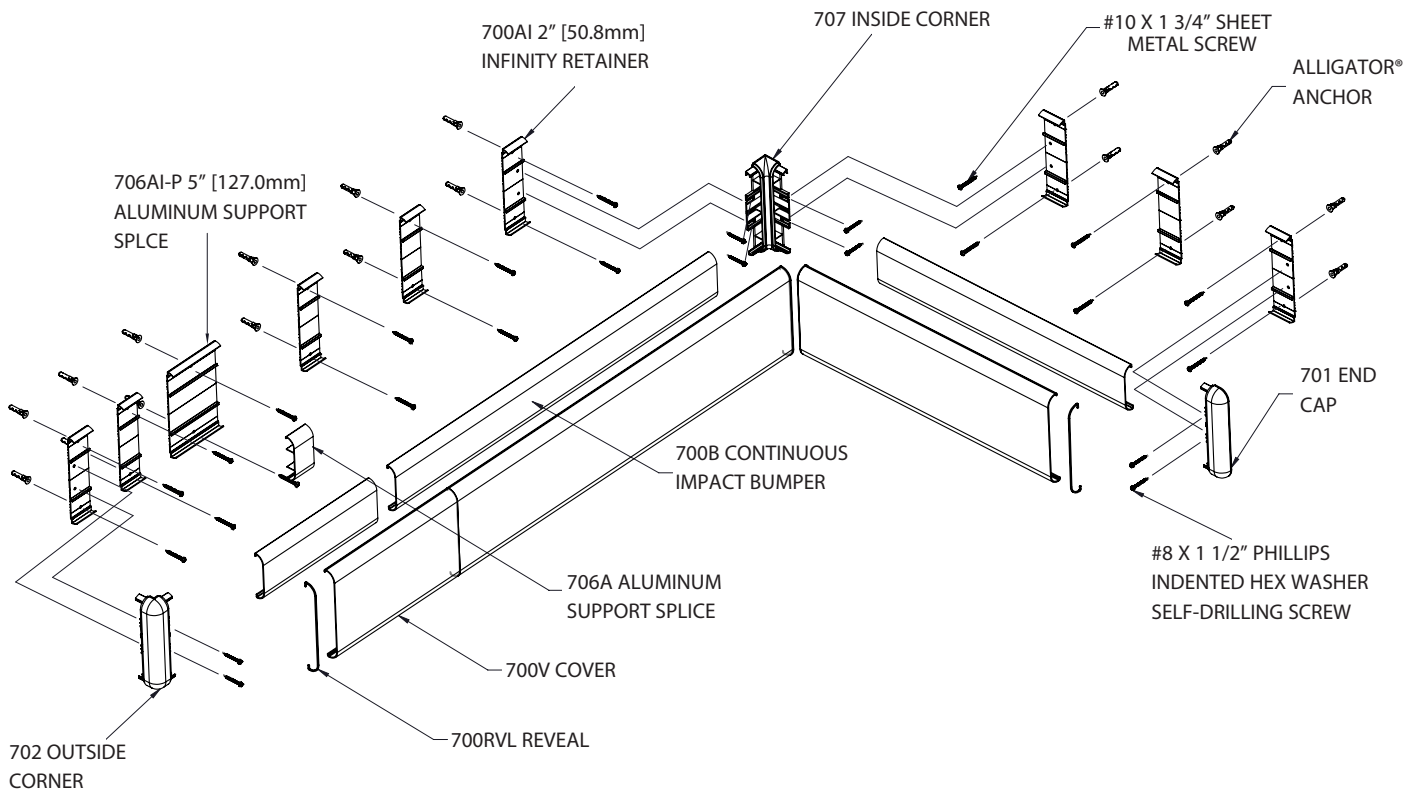
**IPC**®  
DOOR + WALL PROTECTION SYSTEMS  
A DIVISION OF INPRO®

# Installation Instructions

## 700i/700iW/G2-700i WALL GUARD

Please read all instructions before installing wallguard.

### Exploded view assembly



Installation Hotline • 866.EZINPRO

Inprocorp.com • 800.222.5556 • 262.679.9010

World Headquarters S80 W18766 Apollo Drive, Muskego, WI 53150 USA

IPC®

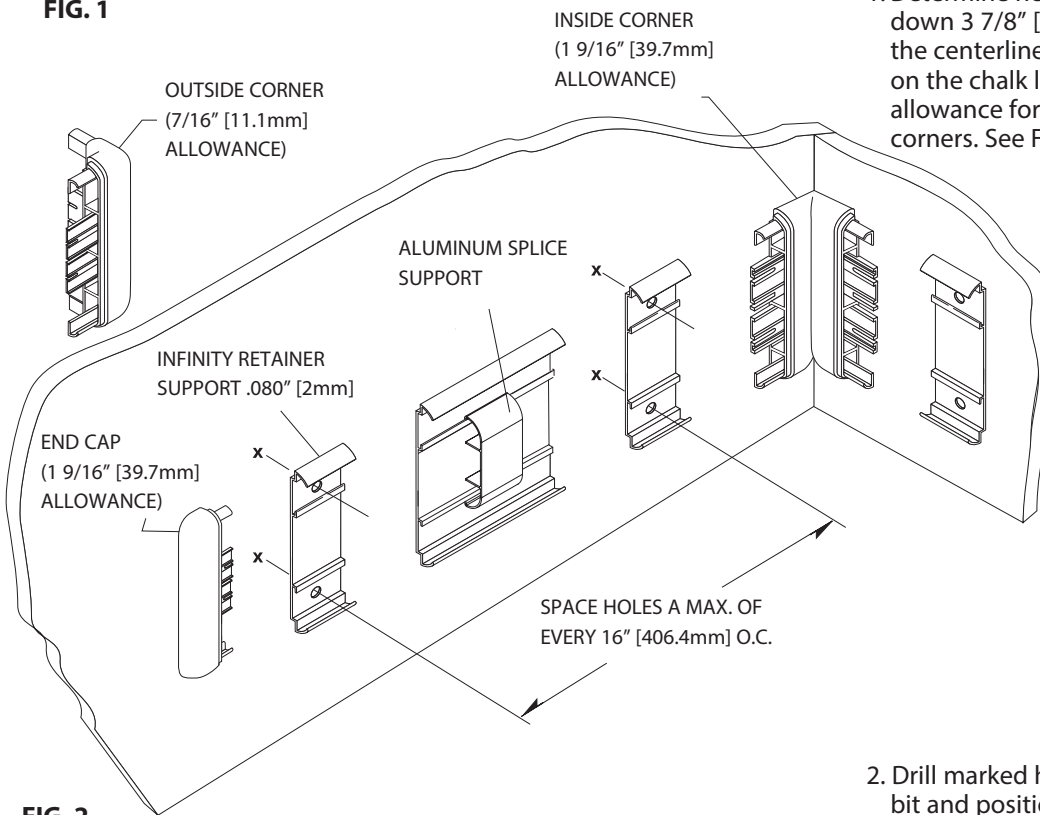
DOOR + WALL PROTECTION SYSTEMS  
A DIVISION OF INPRO®

# Installation Instructions

## 700i/700iW/G2-700i WALL GUARD

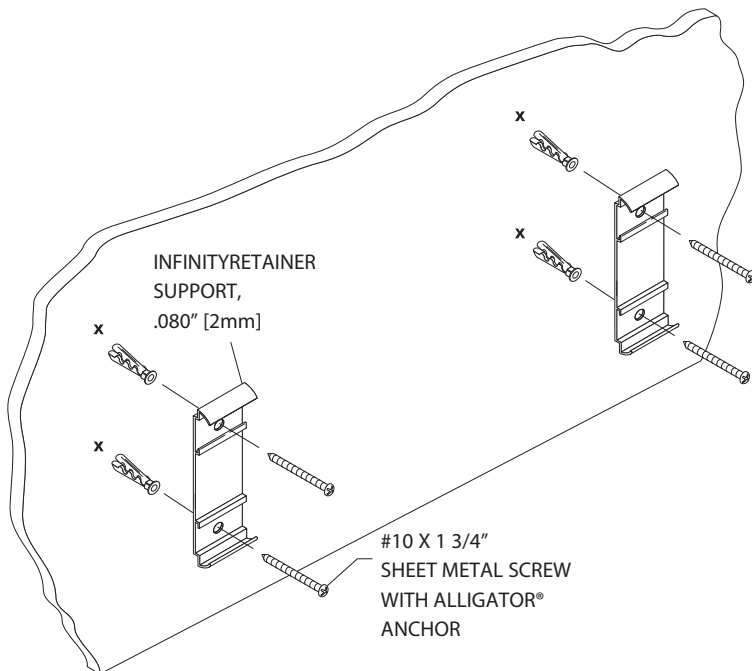
Please read all instructions before installing wallguard.

FIG. 1



1. Determine height of wall guard on wall. Measure down 3 7/8" [98.4mm] and snap chalk line. Position the centerline of the aluminum retainer support on the chalk line to mark mounting holes, leaving allowance for returns, outside corners, and inside corners. See Figure 1.

FIG. 2

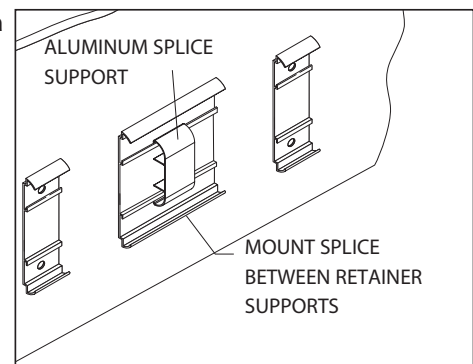


2. Drill marked holes on wall using a 1/4" [6.4mm] drill bit and position Alligator anchors into holes. Mount retainer supports on wall and tighten screws to secure. See Figure 2.

With lengths over 12' [3.66M], an aluminum splice support is recommended between vinyl butt joints for added support. See Figure 2a.

**NOTE:** For concrete or brick wall installation, drill 1/4" [6mm] holes, 3/8" [10mm] from end of retainer for end caps/corners.

FIG. 2a

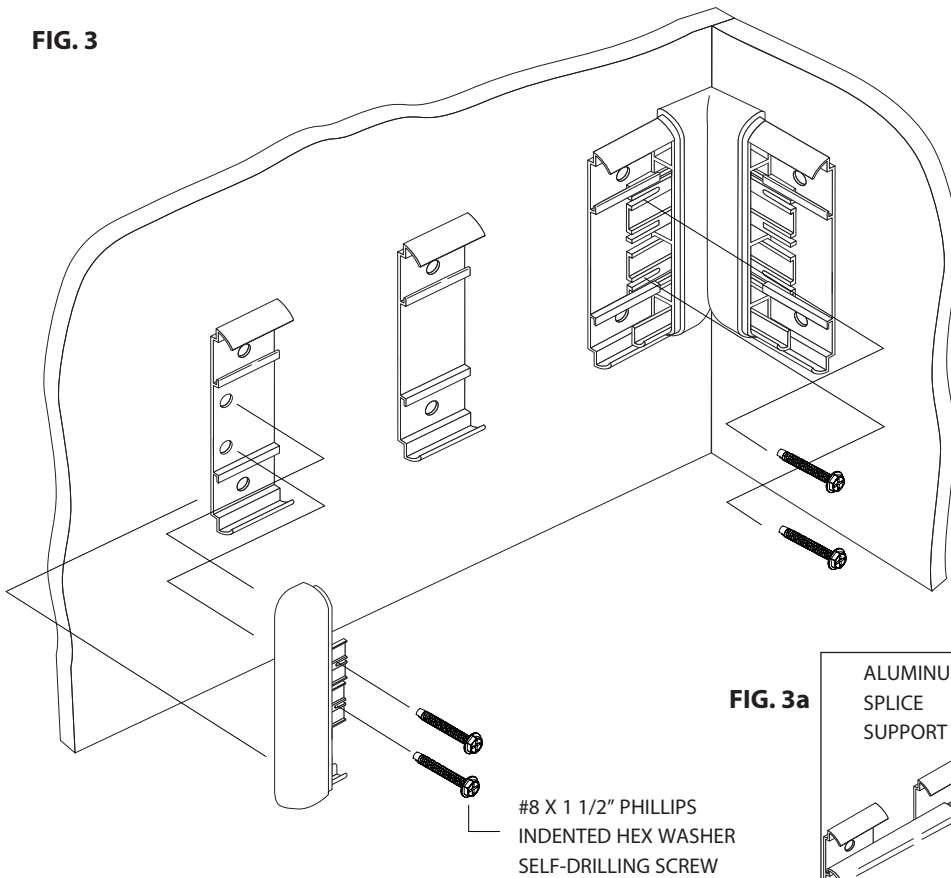


# Installation Instructions

## 700i/700iW/G2-700i WALL GUARD

Please read all instructions before installing wallguard.

FIG. 3



3. Slide end caps and corners onto the retainer support and secure, leaving a 1/16" [1.5mm] gap between returns/corners and retainer to allow for adjustment. See Figure 3.

With lengths over 12' [3.65M], a splice support is recommended between butt joints for added support. See Figure 3a.

**NOTE:** For concrete or brick wall installation, use #10 x 1 3/4" Phillips pan head screws to secure retainer to the wall.

FIG. 3a

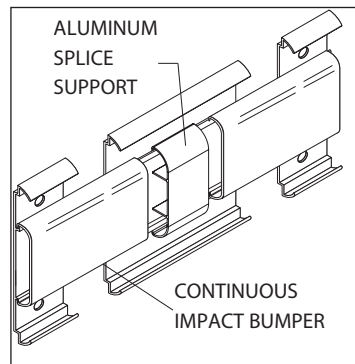
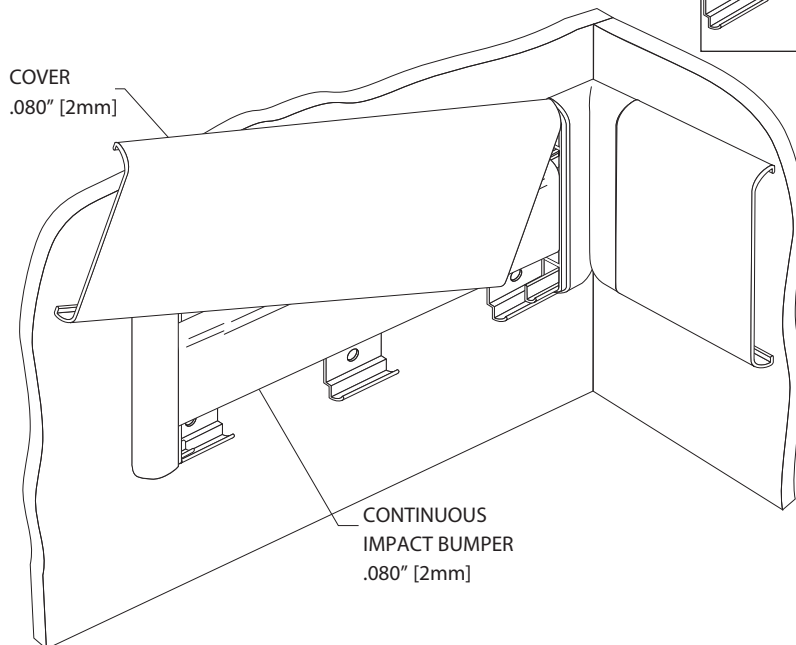


FIG. 4



4. Cut the impact bumper to the length between the inside edge of the end caps/corners/splices. Position and snap bumper in place. Cut the cover to length between end caps and/or corners. (Note: trim factory edges square before installation). Position cover on retainer and adjust returns and/or corners for a tight fit. Starting at one end of retainer supports, push cover over the retainer supports until it snaps into place. See Figure 4.