

733-A02-025

JOINT WIDTH		MOVEMENT ±			
		HORIZONTAL		VERTICAL	
US	mm	US	mm	US	mm
1"	25	3/16"	5	1/8"	3

FINISH: MILL
PROJECT:
CUSTOMER:
LOCATION:

APPLICATION-
FLOOR/WALL HEAVY DUTY
RECESSED MOUNT SLIDE PLATE

DATE:	10/16/17
SCALE:	1:2
DOC:	CADJM.195/R 2


 For More Information Visit: Inprocorp.com

3/16" X 2 1/4" [M4.5x.75 x 56] FLAT HEAD CONCRETE SCREW (7 PER FRAME @ 18" [457mm] O.C.) (JK002)

CONT. ALUM. RECESSED FRAME (J7A302-F)

CONT. ALUM. SLIDE COVER (J7C304)

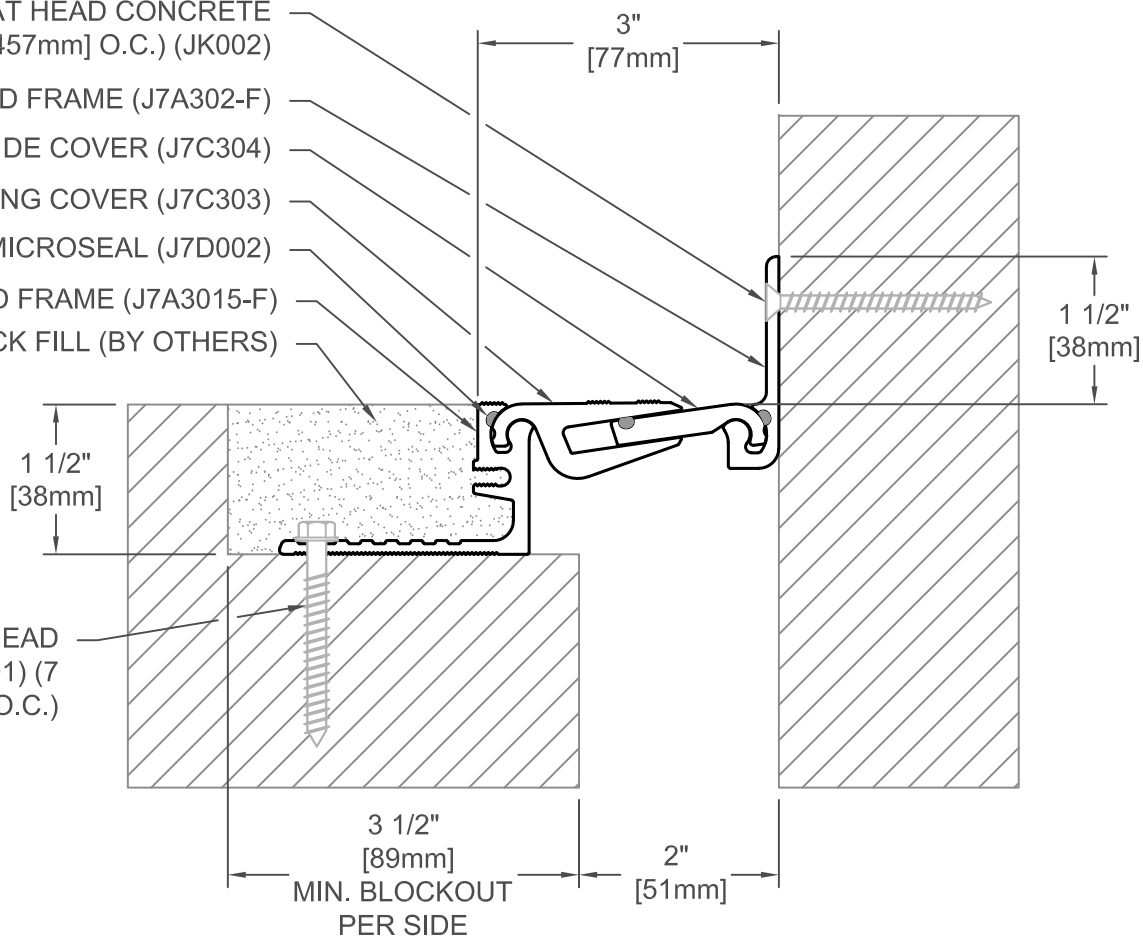
CONT. ALUM. RECEIVING COVER (J7C303)

CONT. SANTOPRENE MICROSEAL (J7D002)

CONT. ALUM. RECESSED FRAME (J7A3015-F)

FLOOR FINISH & BACK FILL (BY OTHERS)

1/4" x 2 1/4 [M6 x 56] HEX HEAD CONCRETE SCREWS (JK001) (7 PER FRAME @ 18" [457mm] O.C.)



733-A02-050

JOINT WIDTH		MOVEMENT ±			
		HORIZONTAL		VERTICAL	
US	mm	US	mm	US	mm
2"	51	1/2"	12	1/2"	12

FINISH: MILL

PROJECT:

CUSTOMER:

LOCATION:

APPLICATION-
FLOOR/WALL HEAVY DUTY
RECESSED MOUNT SLIDE PLATE

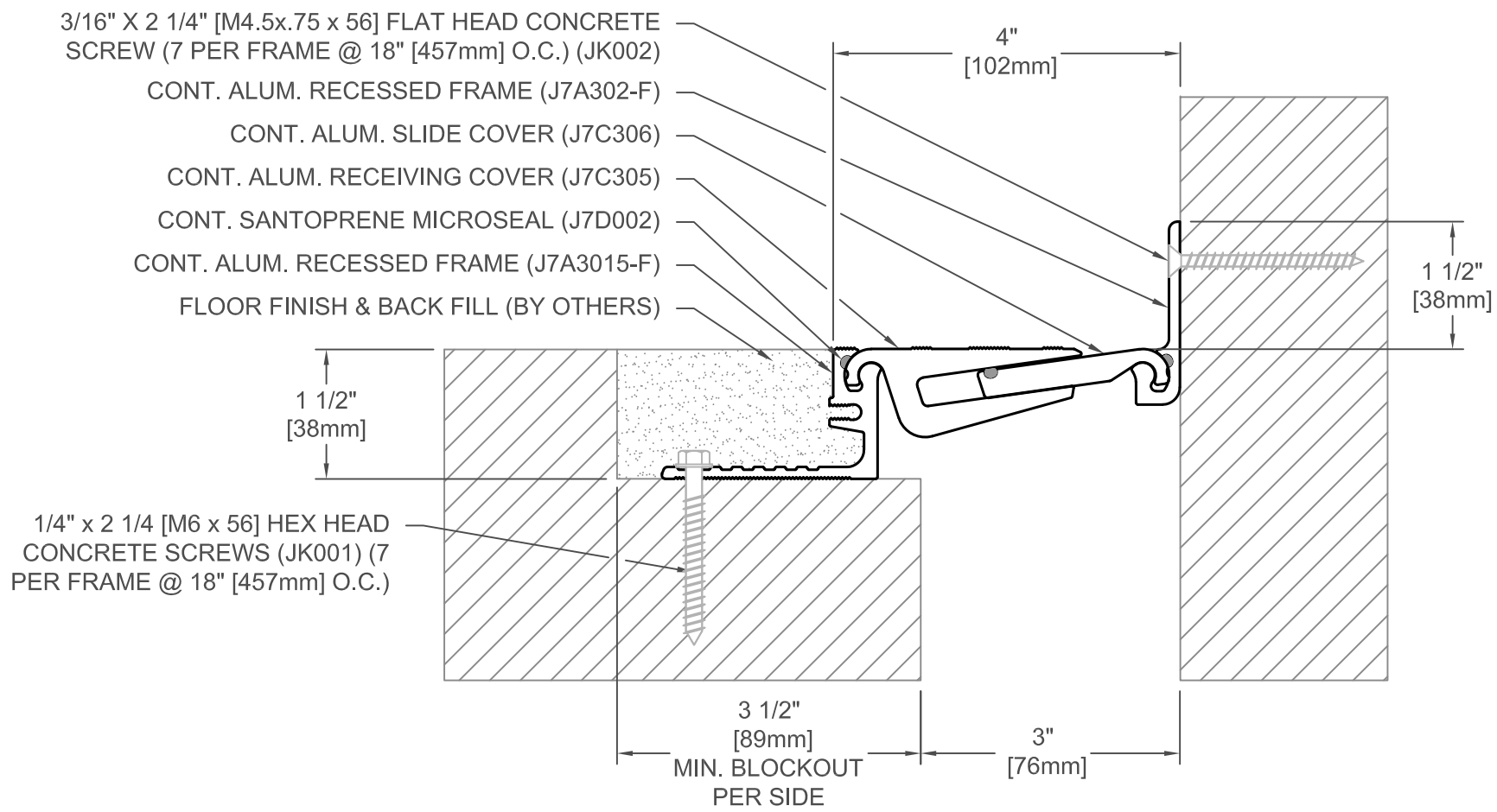
DATE: 10/16/17

SCALE: 1:2

DOC: CADJM.195/R 2

inpro.

For More Information Visit: Inprocorp.com



733-A02-075

JOINT WIDTH		MOVEMENT ±			
		HORIZONTAL		VERTICAL	
US	mm	US	mm	US	mm
3"	76	3/4"	20	3/4"	20

FINISH: MILL
PROJECT:
CUSTOMER:
LOCATION:

APPLICATION-
FLOOR/WALL HEAVY DUTY
RECESSED MOUNT SLIDE PLATE

DATE:	10/16/17
SCALE:	1:2
DOC:	CADJM.195/R 2

3/16" X 2 1/4" [M4.5x.75 x 56] FLAT HEAD CONCRETE SCREW (7 PER FRAME @ 18" [457mm] O.C.) (JK002)

CONT. ALUM. SLIDE COVER (J7C308)

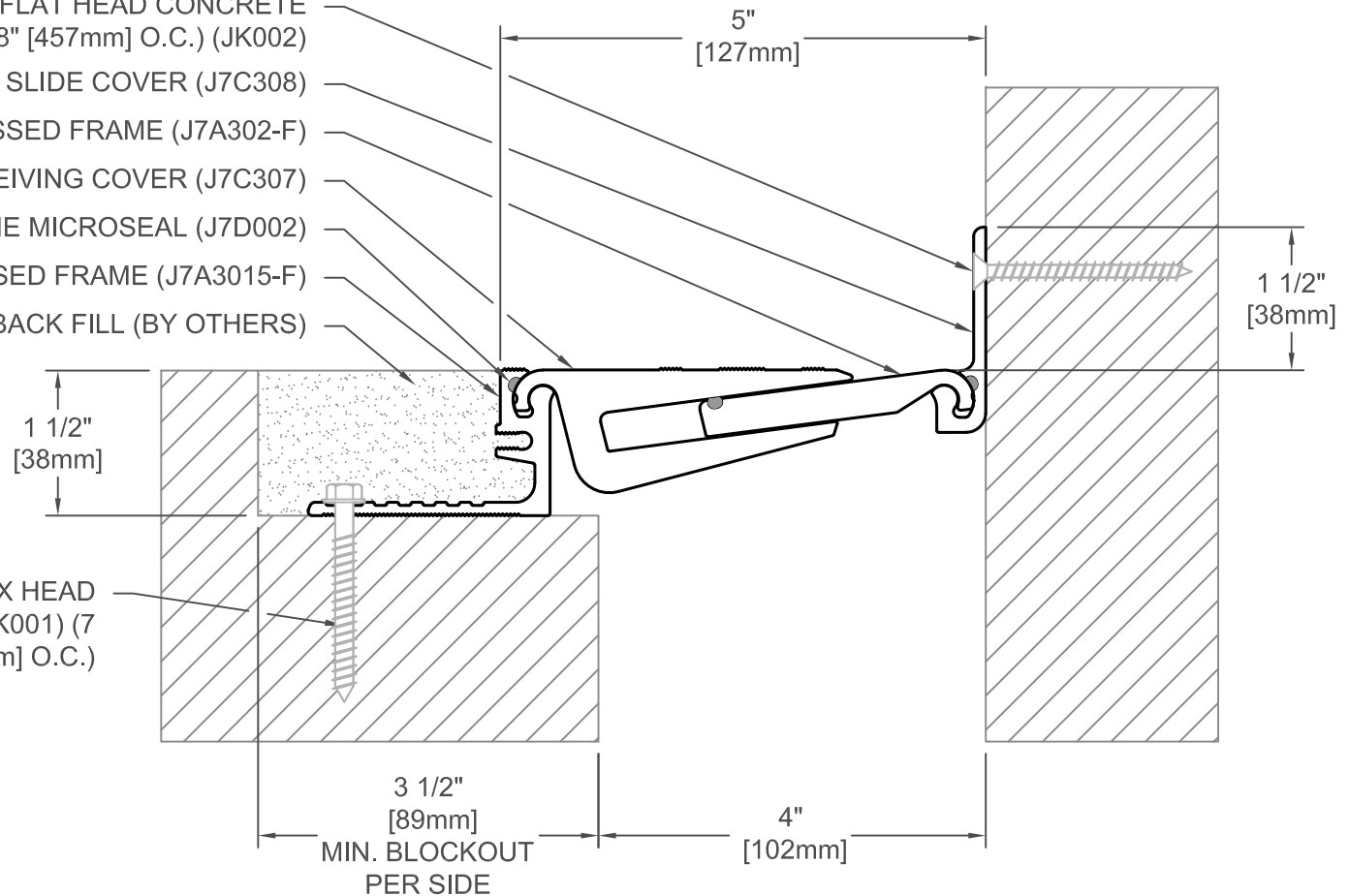
CONT. ALUM. RECESSED FRAME (J7A302-F)

CONT. ALUM. RECEIVING COVER (J7C307)

CONT. SANTOPRENE MICROSEAL (J7D002)

CONT. ALUM. RECESSED FRAME (J7A3015-F)

FLOOR FINISH & BACK FILL (BY OTHERS)



1/4" x 2 1/4 [M6 x 56] HEX HEAD CONCRETE SCREWS (JK001) (7 PER FRAME @ 18" [457mm] O.C.)

733-A02-100

JOINT WIDTH		MOVEMENT ±			
		HORIZONTAL		VERTICAL	
US	mm	US	mm	US	mm
4"	102	1"	25	1"	25

FINISH: MILL

PROJECT:

CUSTOMER:

LOCATION:

APPLICATION-
FLOOR/WALL HEAVY DUTY
RECESSED MOUNT SLIDE PLATE

DATE: 10/16/17

SCALE: 1:2

DOC: CADJM.195/R 2

inpro.

For More Information Visit: Inprocorp.com