

JOINT WIDTH		MOVEMENT ±			
US	mm	HORIZONTAL		VERTICAL	
US	mm	US	mm	US	mm
2"	51	3/16"	5	3/16"	5

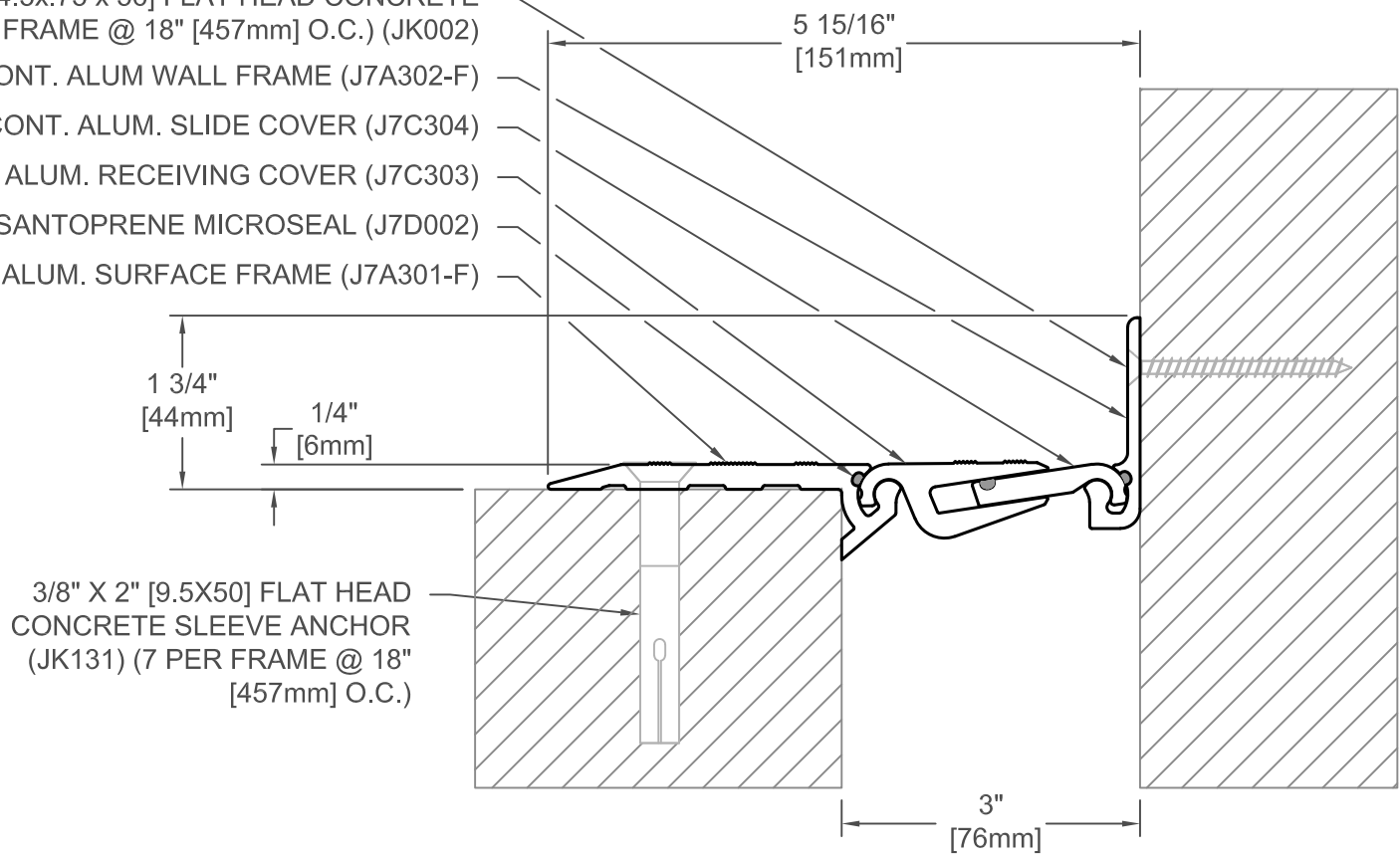
FINISH: MILL
PROJECT:
CUSTOMER:
LOCATION:

APPLICATION-
FLOOR/WALL HEAVY DUTY
SURFACE MOUNT SLIDE PLATE

DATE:	10/16/17
SCALE:	1:1
DOC:	CADJM.197/R 1

inpro.
For More Information Visit: Inprocorp.com

3/16" X 2 1/4" [M4.5x.75 x 56] FLAT HEAD CONCRETE SCREW (7 PER FRAME @ 18" [457mm] O.C.) (JK002)
 CONT. ALUM WALL FRAME (J7A302-F)
 CONT. ALUM. SLIDE COVER (J7C304)
 CONT. ALUM. RECEIVING COVER (J7C303)
 CONT. SANTOPRENE MICROSEAL (J7D002)
 CONT. ALUM. SURFACE FRAME (J7A301-F)



3/8" X 2" [9.5X50] FLAT HEAD CONCRETE SLEEVE ANCHOR (JK131) (7 PER FRAME @ 18" [457mm] O.C.)

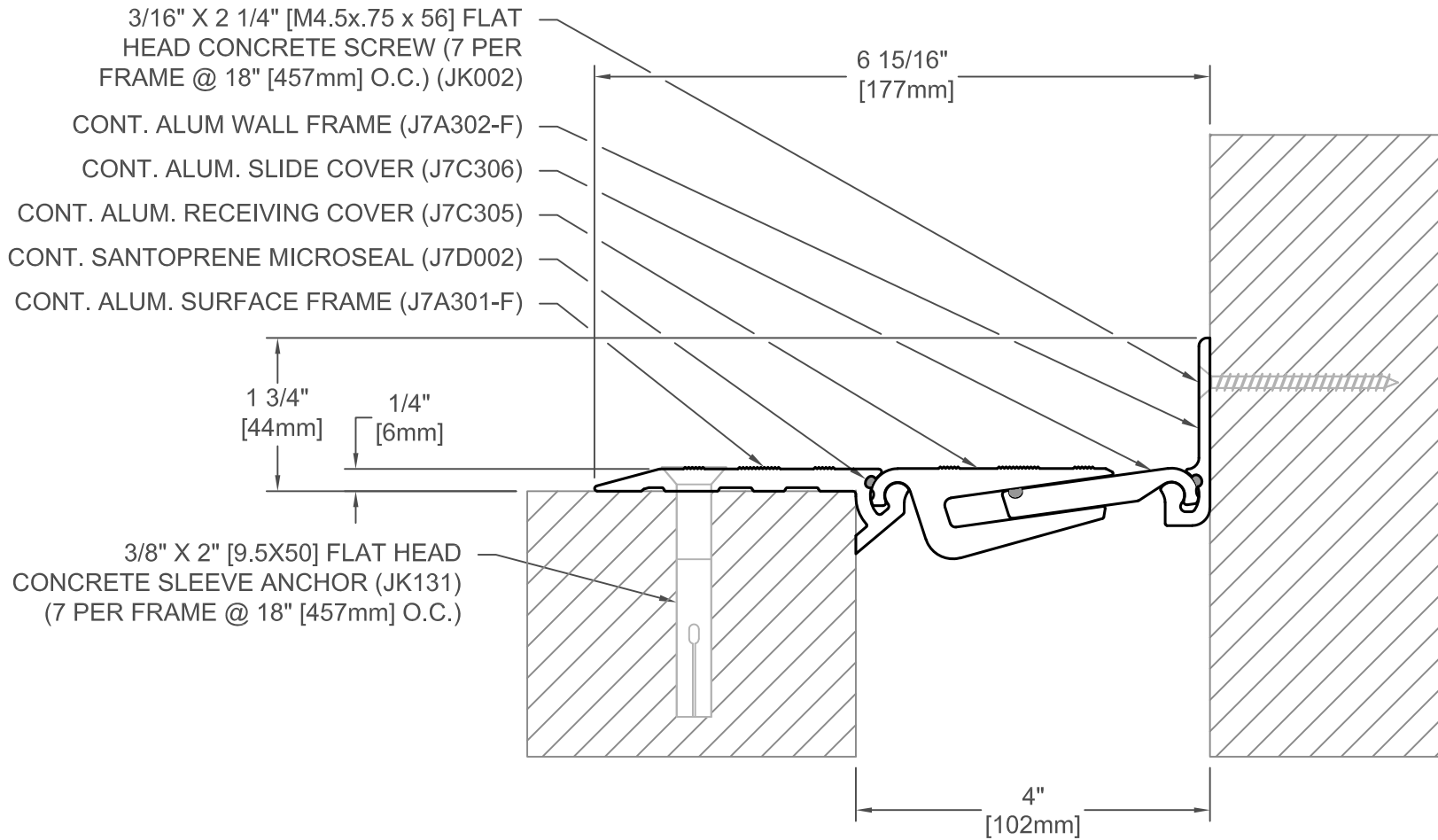
734-A02-075

JOINT WIDTH		MOVEMENT ±			
		HORIZONTAL		VERTICAL	
US	mm	US	mm	US	mm
3"	76	1/2"	13	1/2"	13

FINISH: MILL
PROJECT:
CUSTOMER:
LOCATION:

APPLICATION-
 FLOOR/WALL HEAVY DUTY
 SURFACE MOUNT SLIDE PLATE

DATE:	10/16/17
SCALE:	1:2
DOC:	CADJM.197/R 1



734-A02-100

JOINT WIDTH		MOVEMENT ±			
		HORIZONTAL		VERTICAL	
US	mm	US	mm	US	mm
4"	102	3/4"	19	3/4"	19

FINISH: MILL

PROJECT:

CUSTOMER:

LOCATION:

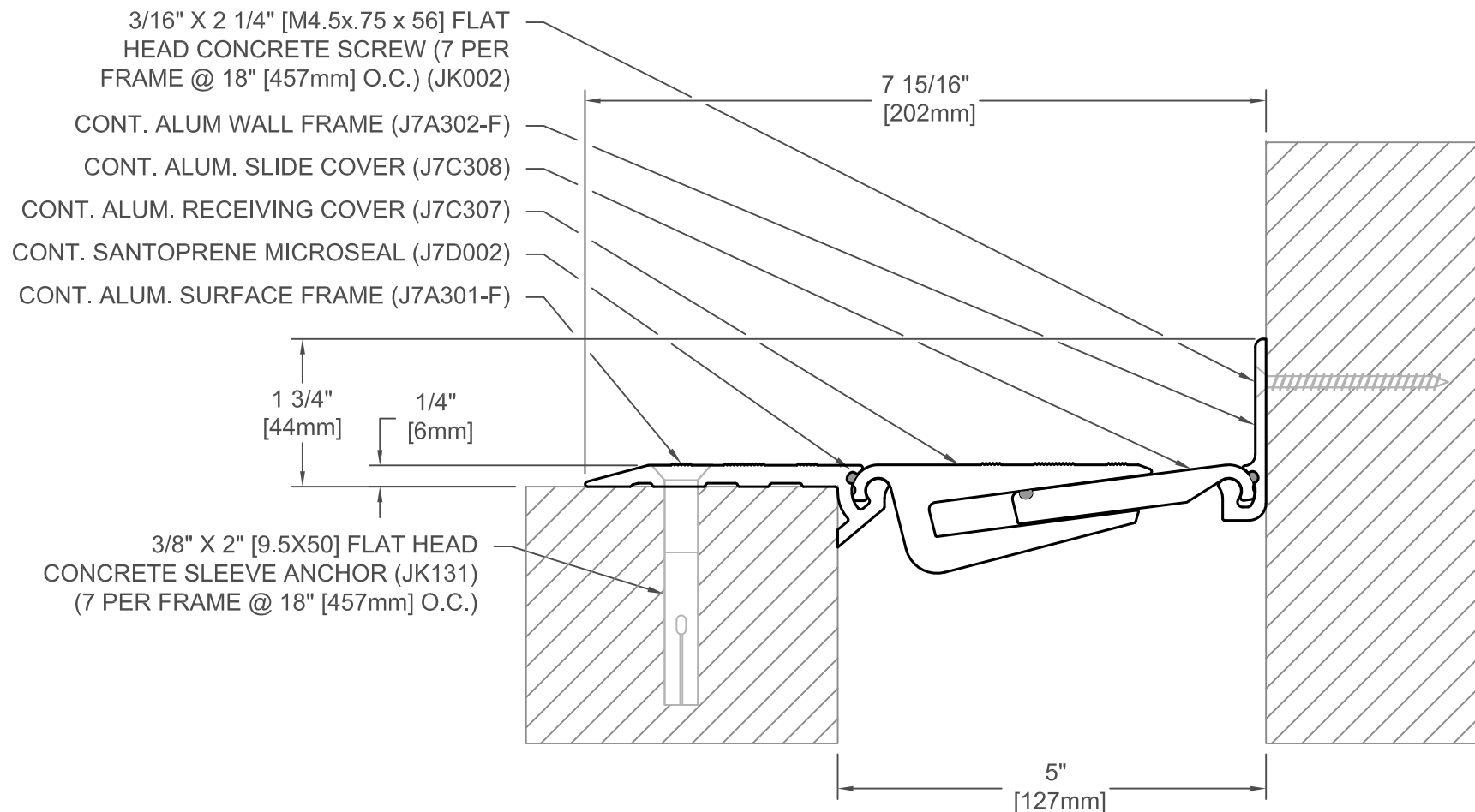
APPLICATION-
FLOOR/WALL HEAVY DUTY
SURFACE MOUNT SLIDE PLATE

DATE: 10/16/17

SCALE: 1:2

DOC: CADJM.197/R 1

inpro.
For More Information Visit: Inprocorp.com



734-A02-125

JOINT WIDTH		MOVEMENT ±			
		HORIZONTAL		VERTICAL	
US	mm	US	mm	US	mm
5"	127	1"	25	1"	25

FINISH: MILL

PROJECT:

CUSTOMER:

LOCATION:

APPLICATION-
FLOOR/WALL HEAVY DUTY
SURFACE MOUNT SLIDE PLATE

DATE: 10/16/17

SCALE: 1:2

DOC: CADJM.197/R 1

inpro.
For More Information Visit: Inprocorp.com