

## 767-A01-100

JOINT WIDTH		MOVEMENT ±			
		HORIZONTAL		VERTICAL	
US	mm	US	mm	US	mm
4"	102	2"	51	3/4"	19

FINISH: MILL
PROJECT:
CUSTOMER:
LOCATION:

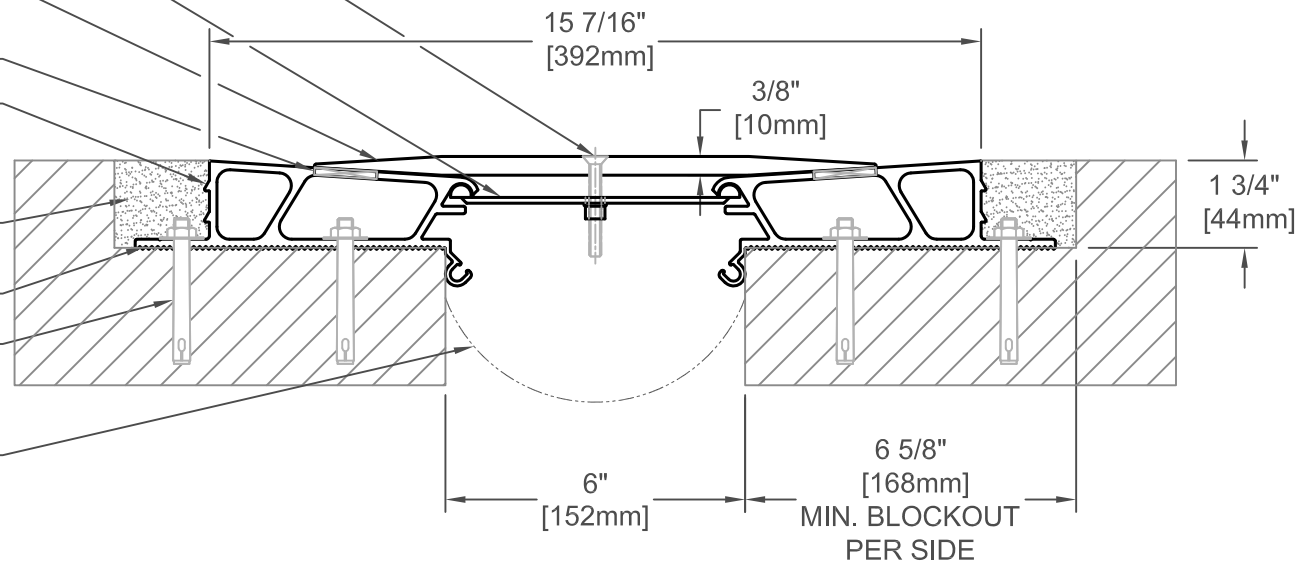
APPLICATION-  
RECESSED FLOOR/FLOOR CONDITION  
WITH CENTER BAR

DATE:	10-18-07
SCALE:	1:4
DOC:	CADJM.040/R1

**inpro.**

For More Information Visit: [Inprocorp.com](http://Inprocorp.com)

- 1/4-20 X 2" PHILLIPS FLAT HEAD MACHINE SCREW (7 PER PLATE @ 18" [457mm] O.C.) (JK031)
- STEEL CENTERING BAR (7 PER PLATE @ 18" [457mm] O.C.) (J4J007)
- CONT. ALUM. TAPERED CENTER PLATE (J7C022)
- PLUG (3 PER FRAME) (JK767)
- CONT. ALUM. RECESSED FRAME (J7A007-F)
- HIGH STRENGTH EPOXY GROUT (BY OTHERS) SERRATED SURFACE
- 5/16" x 2 1/2" [M8x63] HEX HEAD CONC. SLEEVE ANCHOR (7 PER FRAME @ 18" [457mm] O.C.) (JK010)
- REINF. EPDM VAPOR BARRIER (JL018-RVB) (OPTIONAL) NOTE: SET IN CONT. BED OF BUTYL SEALANT (BY OTHERS) TERMINATE RVB AT OUTSIDE EDGES OF SYSTEM



## 767-A01-150

JOINT WIDTH		MOVEMENT ±			
		HORIZONTAL		VERTICAL	
US	mm	US	mm	US	mm
6"	152	3"	76	1-1/2"	38

FINISH: MILL
PROJECT:
CUSTOMER:
LOCATION:

APPLICATION-  
RECESSED FLOOR/FLOOR CONDITION  
WITH CENTER BAR

DATE:	10-18-07
SCALE:	1:4
DOC:	CADJM.040/R1

1/4-20 X 2" PHILLIPS FLAT HEAD  
MACHINE SCREW (7 PER PLATE @  
18" [457mm] O.C.) (JK031)

STEEL CENTERING BAR (7 PER  
PLATE @ 18" [457mm] O.C.) (J4J007)

CONT. ALUM. TAPERED  
CENTER PLATE (J7C023)

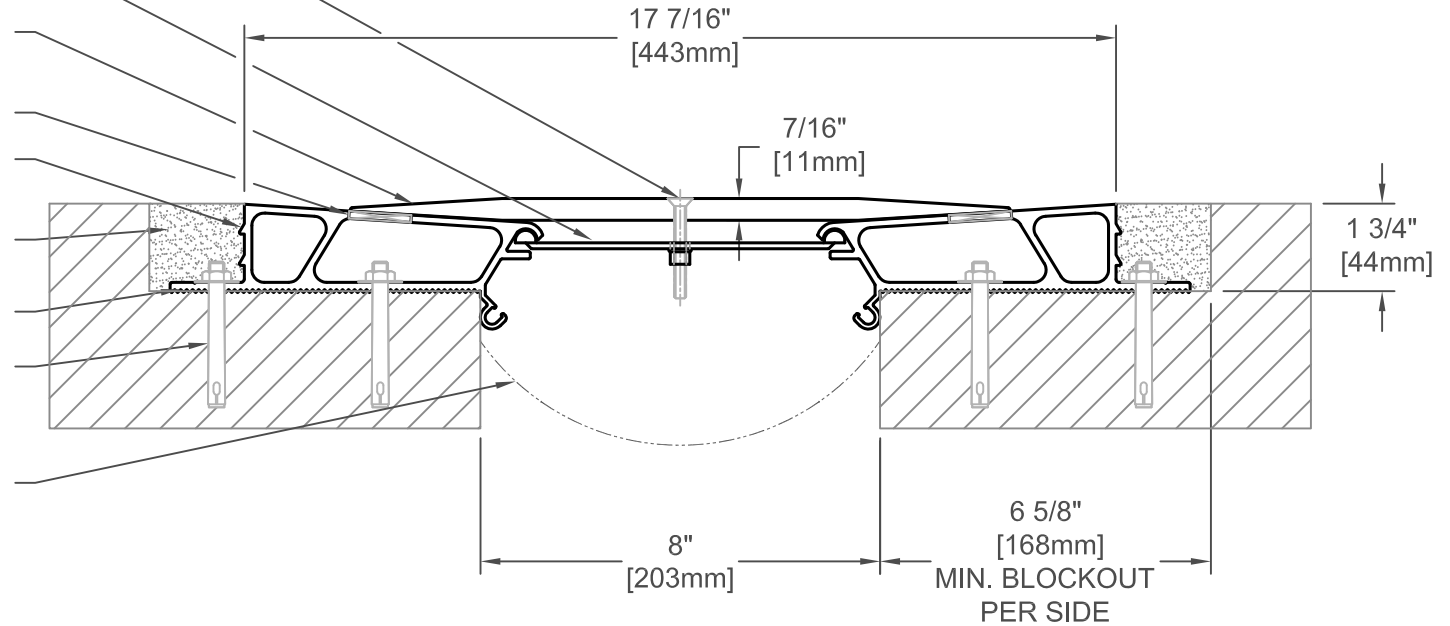
PLUG (3 PER FRAME) (JK767)

CONT. ALUM. RECESSED FRAME  
(J7A008-F)

HIGH STRENGTH EPOXY  
GROUT (BY OTHERS)  
SERRATED SURFACE

5/16" x 2 1/2" [M8x63] HEX HEAD  
CONC. SLEEVE ANCHOR (7 PER  
FRAME @ 18" [457mm] O.C.) (JK010)

REINF. EPDM VAPOR BARRIER  
(OPTIONAL) (JL018-RVB) NOTE: SET  
IN CONT. BED OF BUTYL SEALANT  
(BY OTHERS) TERMINATE RVB AT  
OUTSIDE EDGES OF SYSTEM



## 767-A01-200

JOINT WIDTH		MOVEMENT ±			
		HORIZONTAL		VERTICAL	
US	mm	US	mm	US	mm
8"	203	4"	102	2"	51

FINISH: MILL

PROJECT:

CUSTOMER:

LOCATION:

APPLICATION-  
RECESSED FLOOR/FLOOR CONDITION  
WITH CENTER BAR

DATE: 10-18-07

SCALE: 1:4

DOC: CADJM.040/R1

**inpro.**

For More Information Visit: [Inprocorp.com](http://Inprocorp.com)