

787-A02-100

JOINT WIDTH		MOVEMENT ±			
		HORIZONTAL		VERTICAL	
US	mm	US	mm	US	mm
4"	102	1"	25	1"	25

- 3/8" x 1 1/4" [M10x32] FLAT HEAD DROPIN ANCHOR (6 PER FRAME @ 18" [457mm] O.C.) (JK214)
- SILICONE SEALANT (BY OTHERS)
- HINGED WALL PLATE ANCHORED (J4C034)
- 1/4" x 1 1/4" [M6x32] HEX HEAD CONC. SCREW (JK180)
- TERMINATION BAR (JK125)
- REINF. EPDM VAPOR BARRIER (JL024-RVB) NOTE: SET IN CONT. BED OF BUTYL SEALANT (BY OTHERS) TERMINATE RVB AT OUTSIDE EDGES OF SYSTEM

FINISH: MILL

PROJECT:

CUSTOMER:

LOCATION:

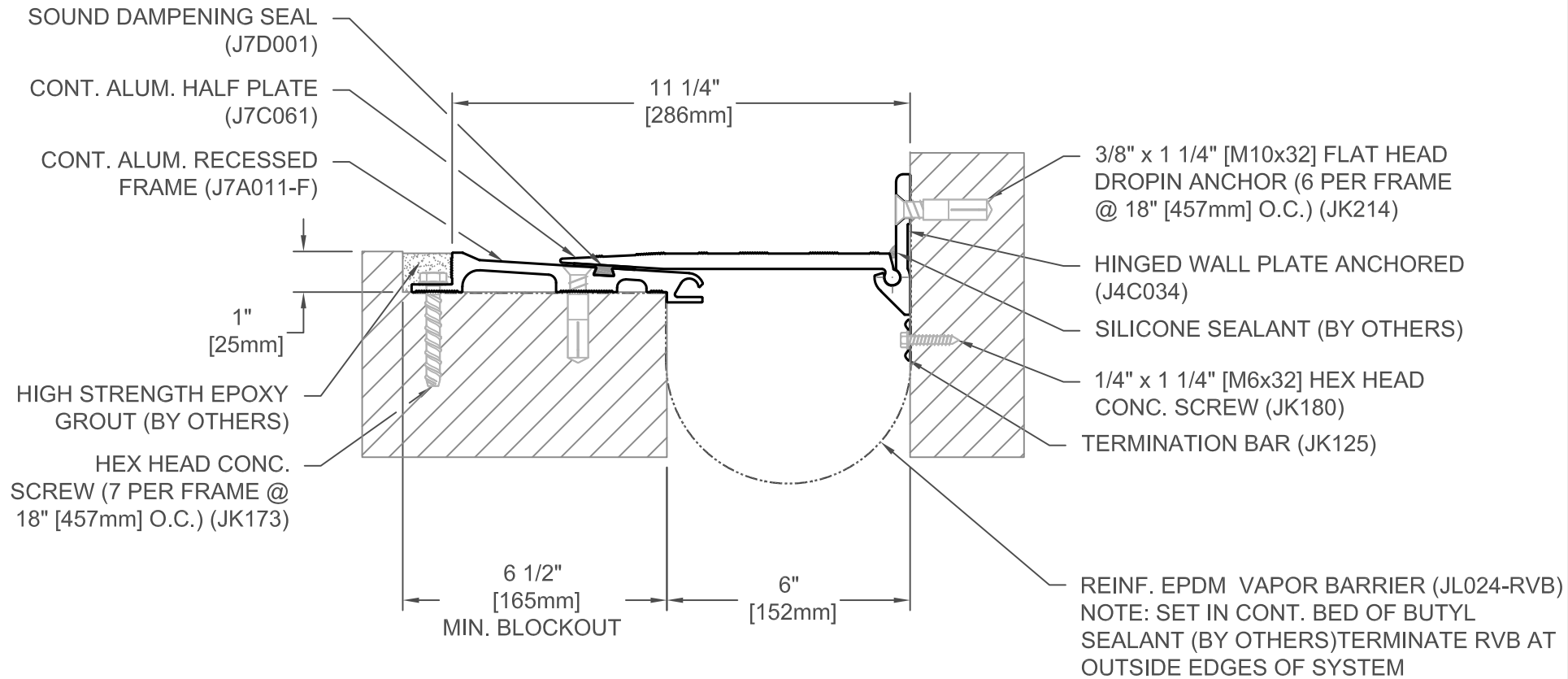
APPLICATION-
FLOOR TO WALL FLOOR
PARKING STRUCTURE

DATE: 3-15-13

SCALE: 1:2

DOC: CADJM.042/R8





787-A02-150

JOINT WIDTH		MOVEMENT ±			
		HORIZONTAL		VERTICAL	
US	mm	US	mm	US	mm
6"	152	1 1/2"	38	1 1/2"	38

FINISH: MILL

PROJECT:

CUSTOMER:

LOCATION:

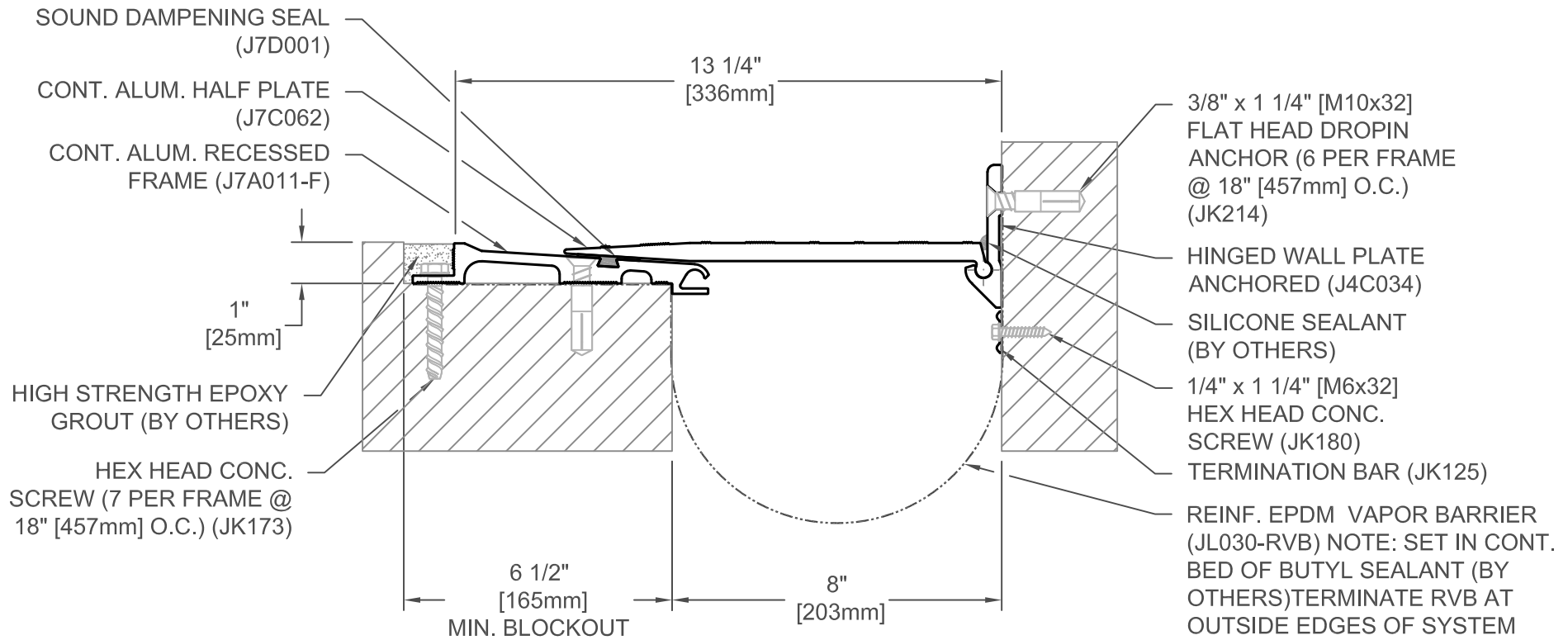
APPLICATION-
FLOOR TO WALL
PARKING STRUCTURE

DATE: 3-15-13

SCALE: 1:4

DOC: CADJM.042/R8

inpro.
For More Information Visit: Inprocorp.com



787-A02-200

JOINT WIDTH		MOVEMENT ±			
		HORIZONTAL		VERTICAL	
US	mm	US	mm	US	mm
8"	203	2"	51	2"	51

FINISH: MILL

PROJECT:

CUSTOMER:

LOCATION:

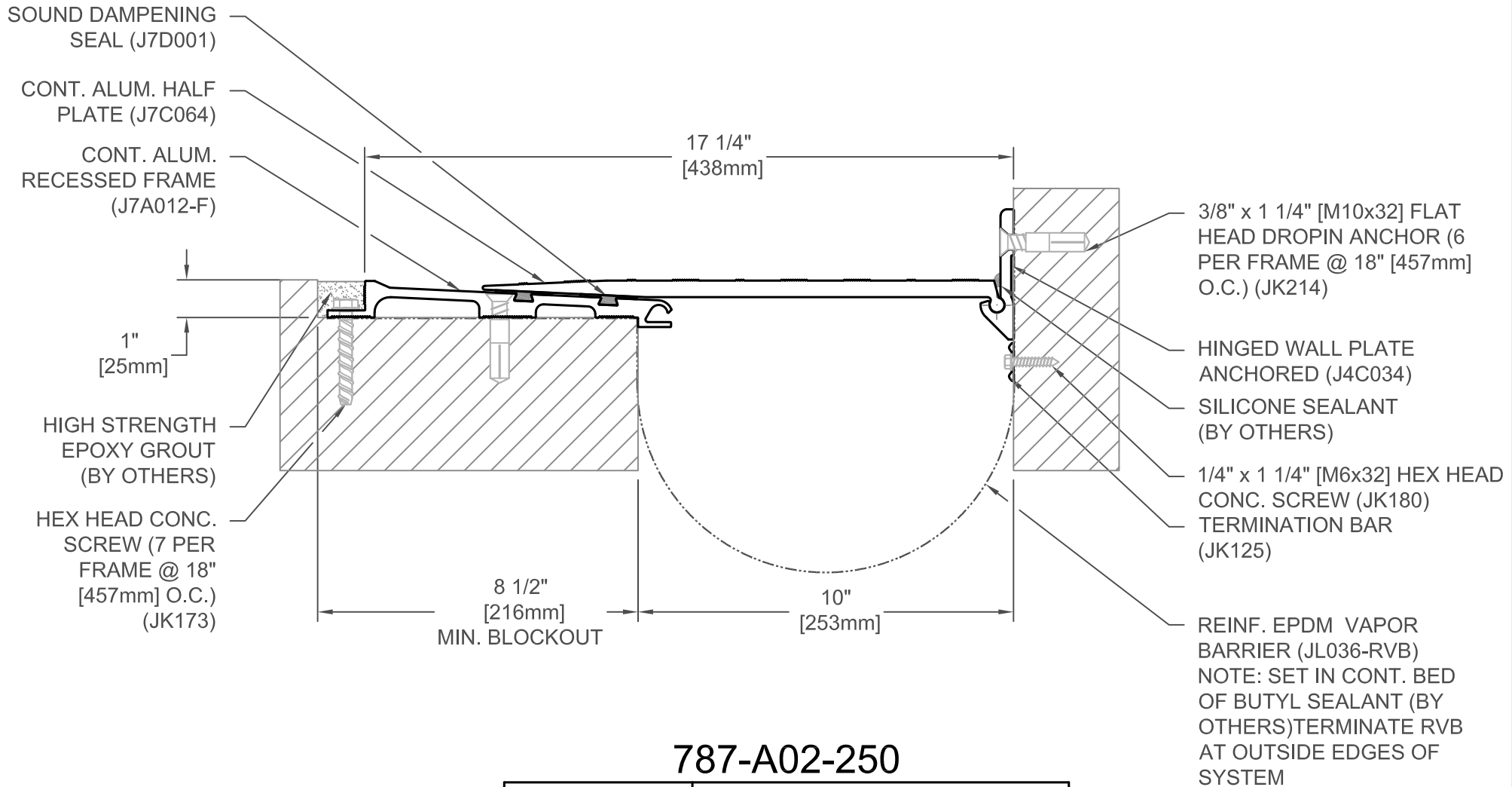
APPLICATION-
FLOOR TO WALL
PARKING STRUCTURE

DATE: 3-15-13

SCALE: 1:4

DOC: CADJM.042/R8

inpro.
For More Information Visit: Inprocorp.com



787-A02-250

JOINT WIDTH		MOVEMENT ±			
		HORIZONTAL		VERTICAL	
US	mm	US	mm	US	mm
10"	254	2 1/2"	64	2 1/2"	64

FINISH: MILL

PROJECT:

CUSTOMER:

LOCATION:

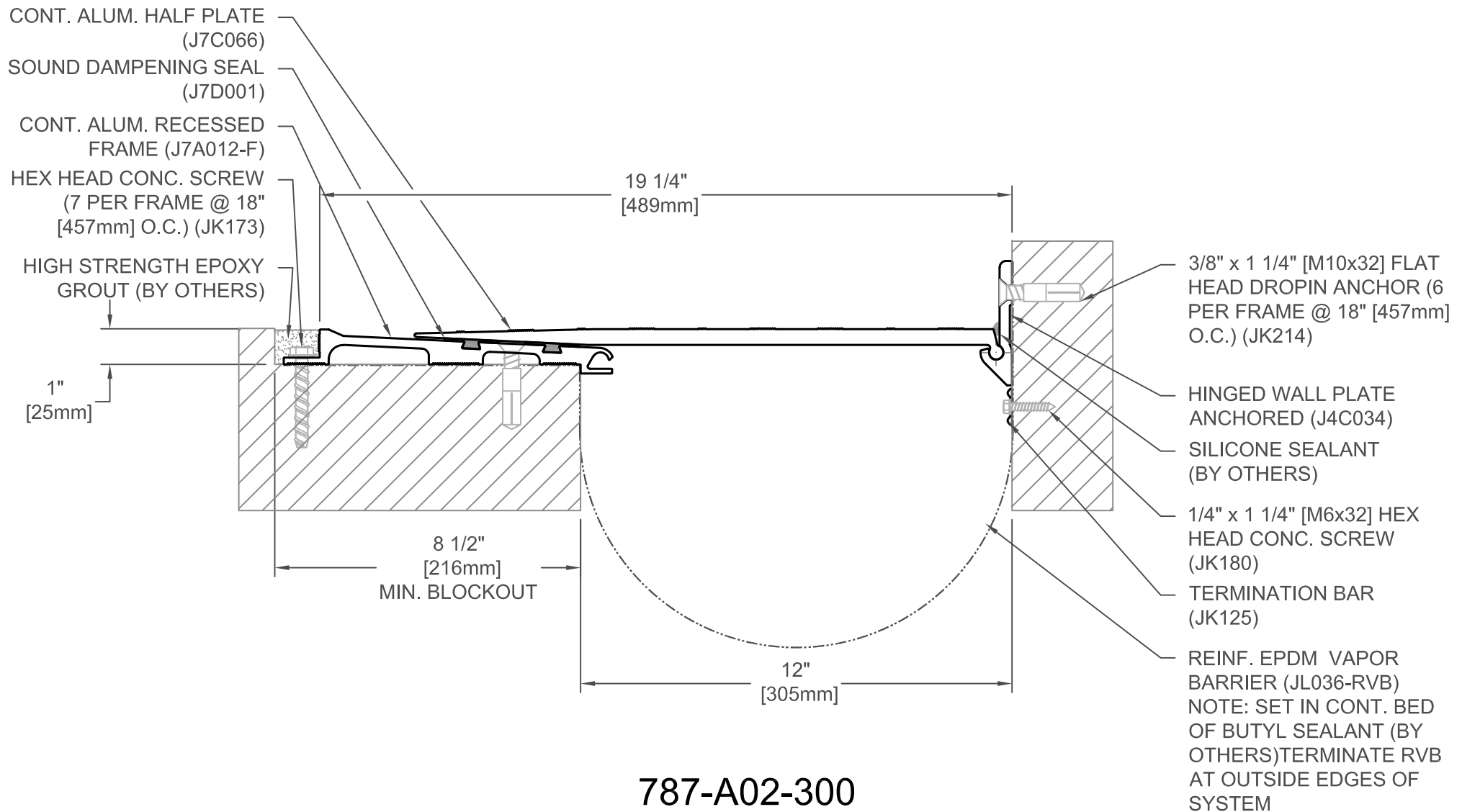
APPLICATION-
FLOOR TO WALL
PARKING STRUCTURE

DATE: 3-15-13

SCALE: 1:4

DOC: CADJM.042/R8

inpro.
For More Information Visit: Inprocorp.com



787-A02-300

JOINT WIDTH		MOVEMENT ±			
		HORIZONTAL		VERTICAL	
US	mm	US	mm	US	mm
12"	305	3"	76	3"	76

FINISH: MILL

PROJECT:

CUSTOMER:

LOCATION:

APPLICATION-
FLOOR TO WALL
PARKING STRUCTURE

DATE: 3-15-13

SCALE: 1:4

DOC: CADJM.042/R8

inpro.
For More Information Visit: Inprocorp.com