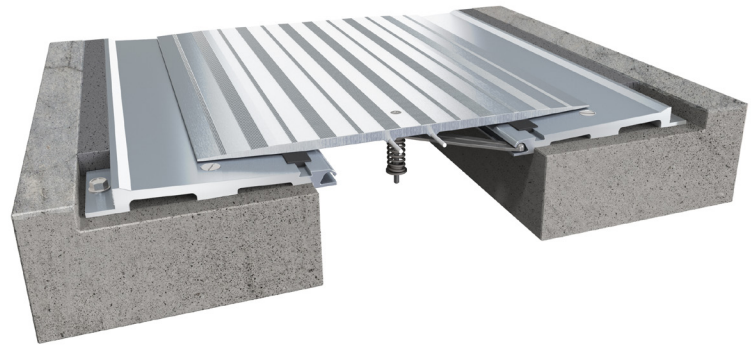


787 Series

A01 - Floor to Floor

A02 - Floor to Wall



Movement Rating ± 50%

Product Guide



Seismic



Exterior



Interior



Fire Rated Option



Vapor Barrier Option



Heavy Duty

- ▶ Seismic capable system designed to meet the needs of Open Structures and Vehicular loading.
- ▶ Industry unique profile drastically reduces the lateral impact (shear forces) encountered with repeated vehicular traffic. This maximizes product lifespan & ensures against the premature fatigue encountered in other configurations on the market.
- ▶ Tapered plate and frames provide a seamless, ADA compliant design that constantly levels itself and maintains a flush condition.
- ▶ Heavy duty design uses a thick high strength centering bar and spring assembly, to resist vibrations.
- ▶ 1" [25mm] frame depth ensures no interference in rebar / cabling structure.
- ▶ Serrated cover plate for added slip resistance.
- ▶ Integral high durometer seal deters water from entering the system and acts as a noise dampening device.
- ▶ Reinforced Vapor Barrier is included.
- ▶ System designed for areas of low speed traffic (5-10 mph)

| Application | System | W | | H | | S | | B | | Movement +/- | | | |
|----------------|-------------|-------------|-----|--------------|----|-----------|-----|----------|-----|--------------|-----|----------|----|
| | | Joint Width | | Frame Height | | Sightline | | Blockout | | Horizontal | | Vertical | |
| | | US | mm | US | mm | US | mm | US | mm | US | mm | US | mm |
| Floor to Floor | 787-A01-100 | 4" | 100 | 1" | 25 | 13 1/2" | 342 | 6" | 152 | 2" | 51 | 1" | 25 |
| | 787-A01-150 | 6" | 150 | 1" | 25 | 16 1/2" | 419 | 6 1/2" | 165 | 3" | 76 | 1 1/2" | 38 |
| | 787-A01-200 | 8" | 200 | 1" | 25 | 18 1/2" | 470 | 6 1/2" | 165 | 4" | 102 | 2" | 51 |
| | 787-A01-250 | 10" | 250 | 1" | 25 | 24 1/2" | 622 | 8 1/2" | 216 | 5" | 127 | 2 1/2" | 64 |
| | 787-A01-300 | 12" | 300 | 1" | 25 | 26 1/2" | 673 | 8 1/2" | 216 | 6" | 152 | 3" | 76 |
| Floor to Wall | 787-A02-100 | 4" | 100 | 1" | 25 | 8 3/4" | 222 | 6" | 152 | 1" | 25 | 1" | 25 |
| | 787-A02-150 | 6" | 150 | 1" | 25 | 11 1/4" | 286 | 6 1/2" | 165 | 1 1/2" | 76 | 1 1/2" | 38 |
| | 787-A02-200 | 8" | 200 | 1" | 25 | 13 1/4" | 337 | 6 1/2" | 165 | 2" | 102 | 2" | 51 |
| | 787-A02-250 | 10" | 250 | 1" | 25 | 17 1/4" | 438 | 8 1/2" | 216 | 2 1/2" | 127 | 2 1/2" | 64 |
| | 787-A02-300 | 12" | 300 | 1" | 25 | 19 1/4" | 489 | 8 1/2" | 216 | 3" | 152 | 3" | 76 |

*Contact your InPro Representative for project specific loading capabilities.

IPC.1564/REV.7

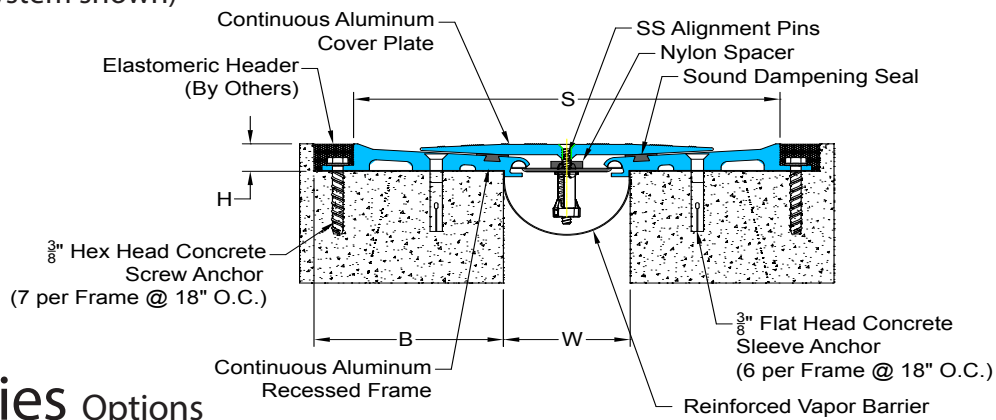
Inprocorp.com • 800.222.5556 • 262.679.9010
World Headquarters S80 W18766 Apollo Drive, Muskego, WI 53150 USA

JOINTMASTER®
EXPANSION JOINT SYSTEMS
A DIVISION OF INPRO®

787 Series

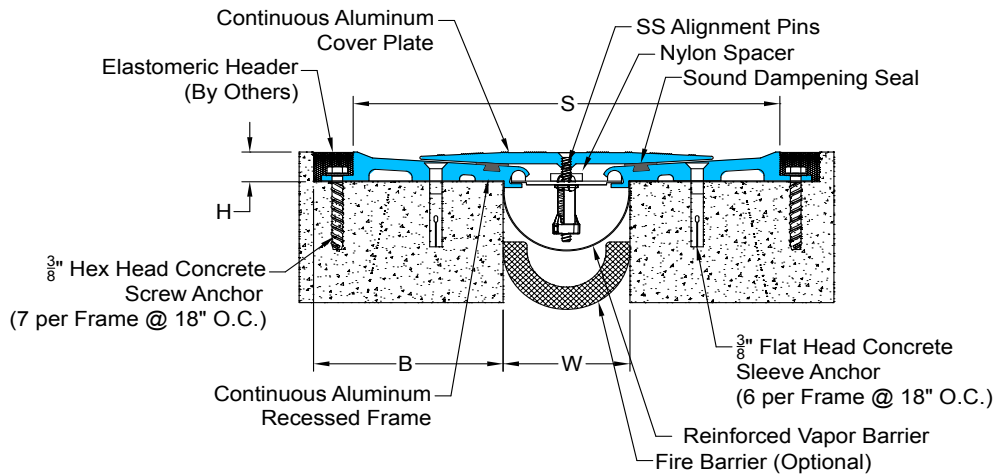
Heavy Duty Seismic Floor Systems

787-A01 Floor/Floor
(4" (100mm) system shown)

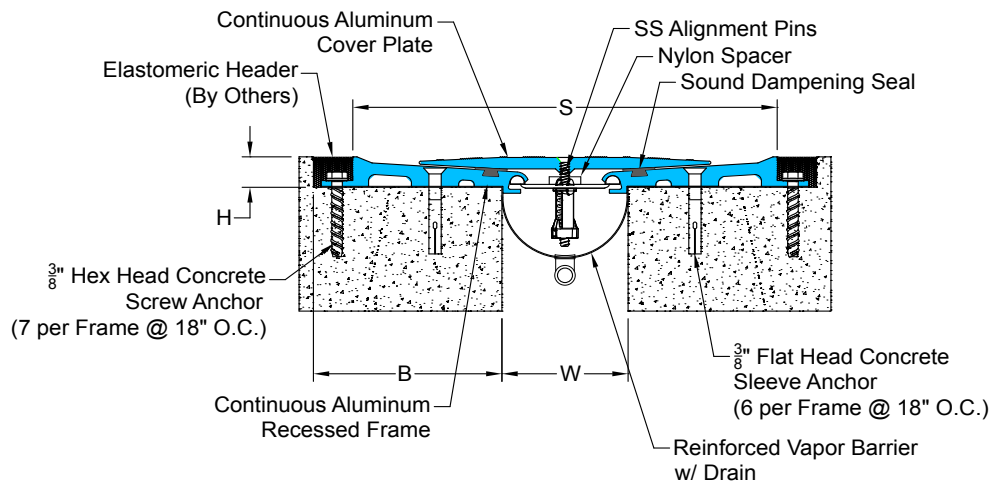


787 Series Options

787-A01 Floor/Floor With Fire Barrier
(4" (100mm) system shown)



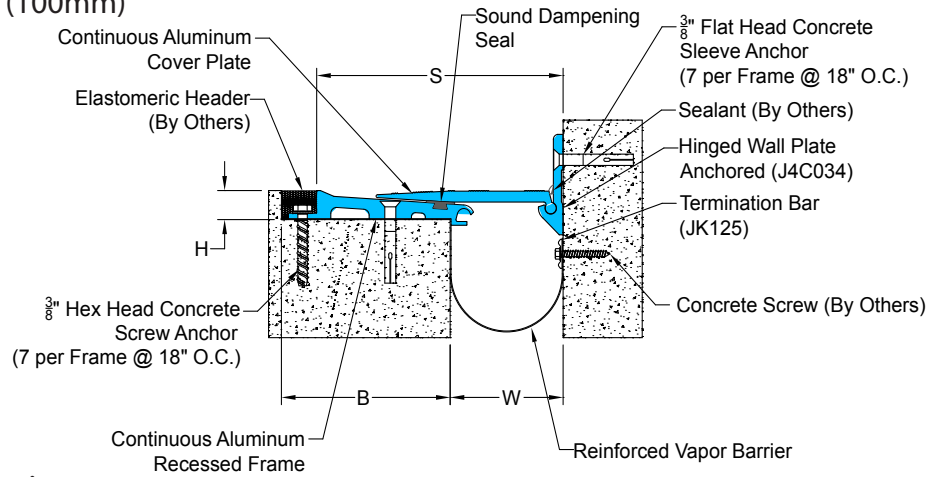
787-A01 Floor/Floor With Vapor Barrier
(4" (100mm) system shown)



787 Series

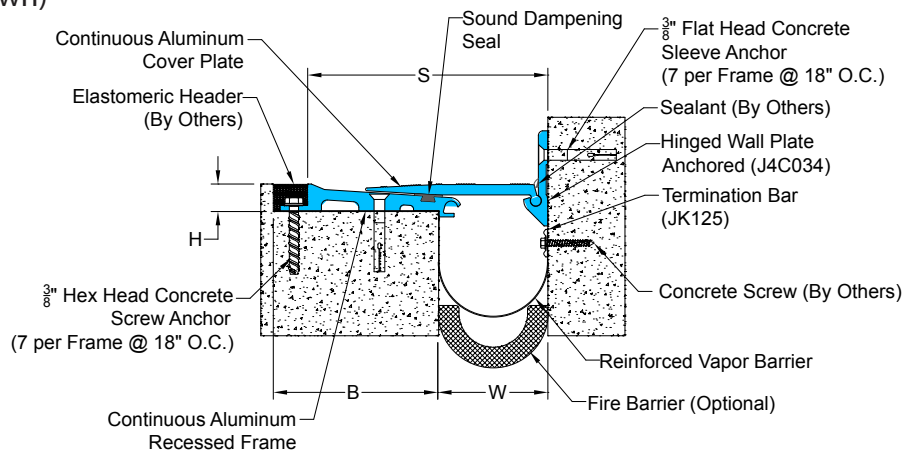
Heavy Duty Seismic Floor Systems

787-A02 Floor/Wall (4" (100mm) system shown)



787 Series Options

787-A02 Floor/Wall With Fire Barrier (4" (100mm) system shown)



787-A02 Floor/Wall With Vapor Barrier (4" (100mm) system shown)

