

Installation Instructions

Joint System: 787-A02

Note: Verify that the structural gap and blockout dimensions are in conformance with submittal data before beginning installation. If this is a Fire Rated Assembly, the fire barrier must be installed before the Architectural Joint System. Refer to the fire barrier instructions for specific system installation.

FIG. 1

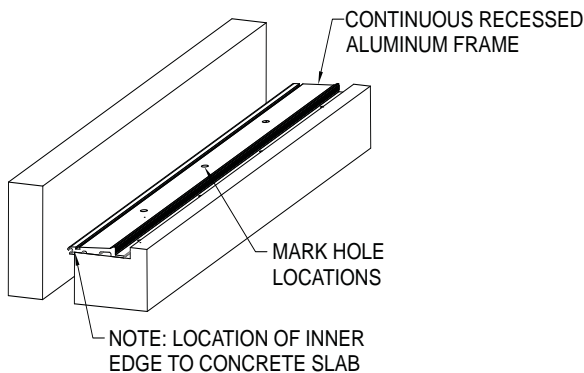


FIG. 2

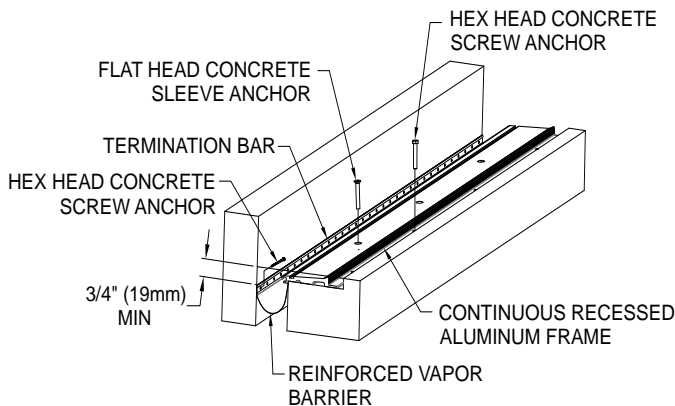


FIG. 2A

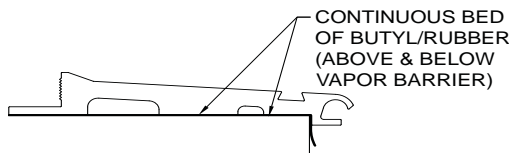
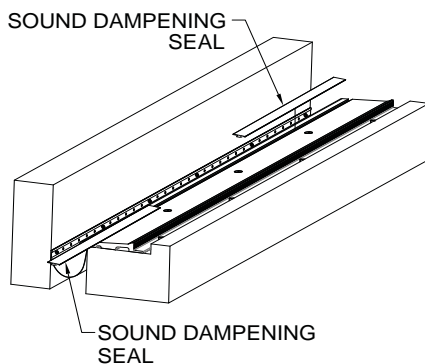


FIG. 3



1. Install the architectural joint system on a level surface within the blockout. The top of the aluminum frame should coincide with the finish floor. This may require adding leveling compound to raise the tops of the frames.

Figure 1

2. Place the recessed aluminum frames with the inner edge of the recessed frames location as shown.
3. Mark the pre-drilled hole locations and the widest side of the frames on the substrates.
4. Remove the recessed frames from the blockouts.
5. Drill all marked holes on the substrates using a 3/8" (10 mm) concrete drill bit. Holes should be drilled 2 3/4" (70mm) deep.

Figure 2

6. Apply a continuous bed of Butyl/Rubber on blockout side and on the wall side 1 1/4" (32mm) down from the finish floor height of the joint to hold the vapor barrier and seal it to the concrete.
7. Install reinforced vapor barrier to align with the position of the frame (FIG 2A) and past the silicone bed on the wall.
8. Add a bed of Butyl/Rubber to the area of the vapor barrier resting in the blockout that will accept the frame (FIG 2A).
9. Return the recessed frame in position over the drilled hole locations and secure in place with one JK131 3/8" x 2 3/4" flat head sleeve anchor for each inner hole and JK173 3/8" x 2 1/2" hex head concrete screw anchor for each outer hole.
10. Hold the termination bar 3/4" (19mm) down from the finish floor height and drill a 3/16" (5mm) hole 2 1/2" (64 mm) deep 12" (305mm) on center.
11. Use a JK001 3/16" x 2 1/4" hex head concrete screw to fasten the termination bar to the concrete wall.
12. Trim the excess vapor barrier to the top of the termination bar.

Figure 3

13. Slide or press the sound dampening seal in the dovetail groove. 10" (254mm) & 12" (304mm) 787 systems have 2 dovetail grooves for seals.

IPC.1563/REV.5

Installation Instructions

Joint System: 787-A02

FIG. 4

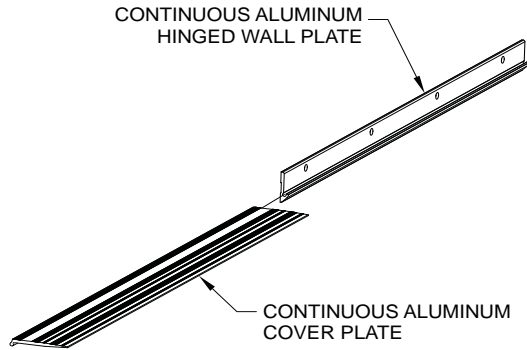


FIG. 5

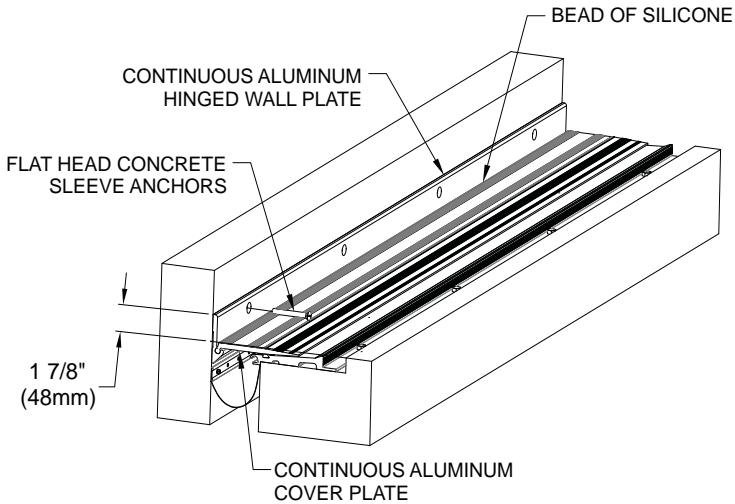


FIG. 6

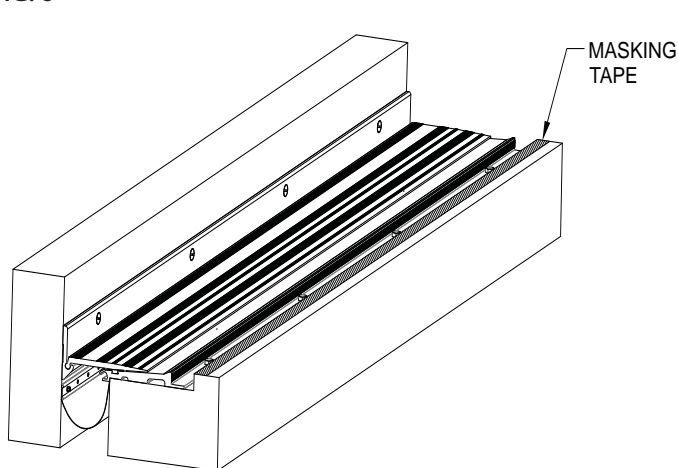


Figure 4

14. Slide the aluminum cover plate into the aluminum hinged wall plate.

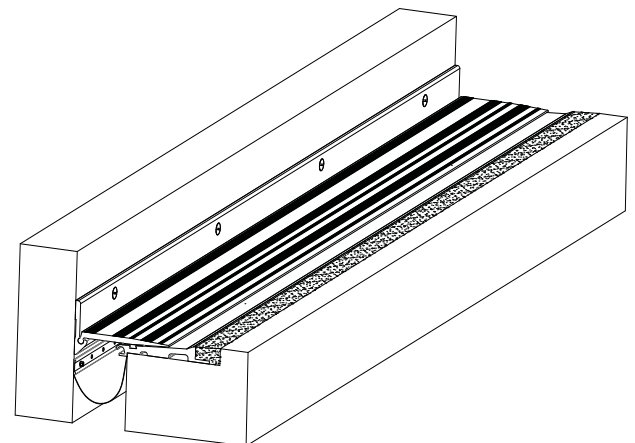
Figure 5

15. Locate continuous aluminum hinged wall plate top 1 7/8" (48mm) from the finished floor. Be sure the bottom of the aluminum cover plate is parallel with the top of the mounted aluminum recessed frame.
16. Mark the holes on the concrete wall and remove the cover plate assembly.
17. Drill all marked holes on the substrates using a 3/8" (10 mm) concrete drill bit. Holes should be drilled 2 3/4" (70mm) deep.
18. Return the cover plate assembly in position over the drilled hole locations and secure in place with one JK131 3/8" x 2 3/4" flat head sleeve anchor for each hole.
19. Put a bead of silicone between the aluminum hinged wall plate and cover plate.

Figure 6

20. Use masking tape on the concrete slab next to the blockout.
21. Backfill the blockout with elastomeric concrete level with the adjacent concrete slab.
22. Remove masking tape from the concrete slab.
23. Clean the exposed surfaces with a non-solvent cleaner, such as 409, as required.

Figure 7 (787-A02 Completed installation)



Installation Hotline • 866.EZINPRO

Inprocorp.com • 800.222.5556 • 262.679.9010

World Headquarters S80 W18766 Apollo Drive, Muskego, WI 53150 USA

JOINTMASTER®
EXPANSION JOINT SYSTEMS
A DIVISION OF INPRO®