

3/8" [10MM] CROWNED GALV. STEEL PLATE (10FT) (J8C129-GS) (5° CROWN FOR LOAD RESISTANCE)

3/8" [10MM] HIGH DUROM. EPDM PAD (JL003-TRCFPAD) FULLY ADHERED TO DECK W/ BUTYL SEALANT OR TAPE

3/8-16 x 1 1/4" SS FLAT HEAD MACHINE BOLT AND LOCKING NUT (12" [305mm] O.C.) (JK230)

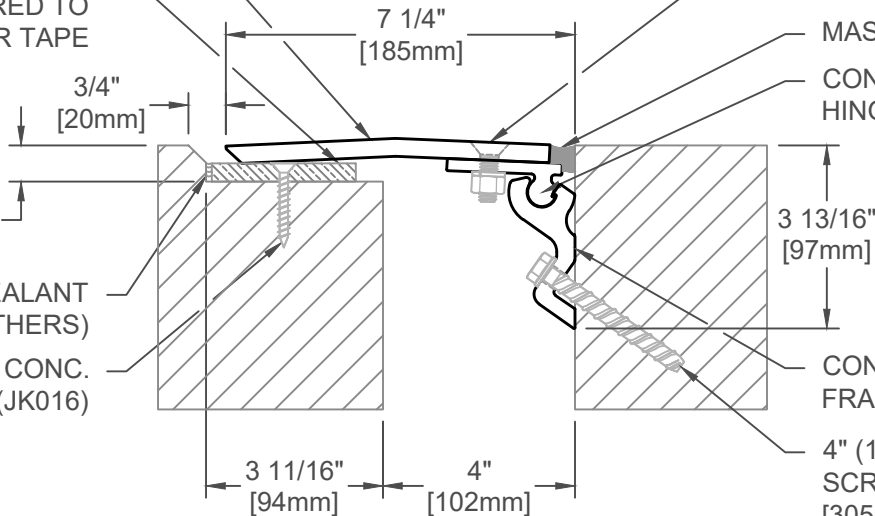
MASTIC SEALANT (BY OTHERS)

CONT. ALUM LATERAL SHEER HINGE (J7A970-F)

3/4" [20mm]  
3/4" [19mm]

1/4" MAX. GAP SEALANT (BY OTHERS)

1/4" X 1 3/4" FLAT HEAD CONC. SCREW 18" [457mm] O.C. (JK016)



CONT. ALUM LATERAL SHEER FRAME (J7A971-F)

4" (102mm) HEX HEAD CONCRETE SCREW (9 PER FRAME @ 12" [305mm] O.C.) (JK229)

### 797L-G01-100LP

JOINT WIDTH		MOVEMENT ±			
		HORIZONTAL		VERTICAL	
US	mm	US	mm	US	mm
4"	102	2"	51	1"	25

FINISH: HOT DIPPED GALV.

PROJECT:

CUSTOMER:

LOCATION:

APPLICATION - HEAVY DUTY  
SEISMIC LATERAL SHEER FLUSH MOUNT  
FLOOR TO FLOOR SYSTEM

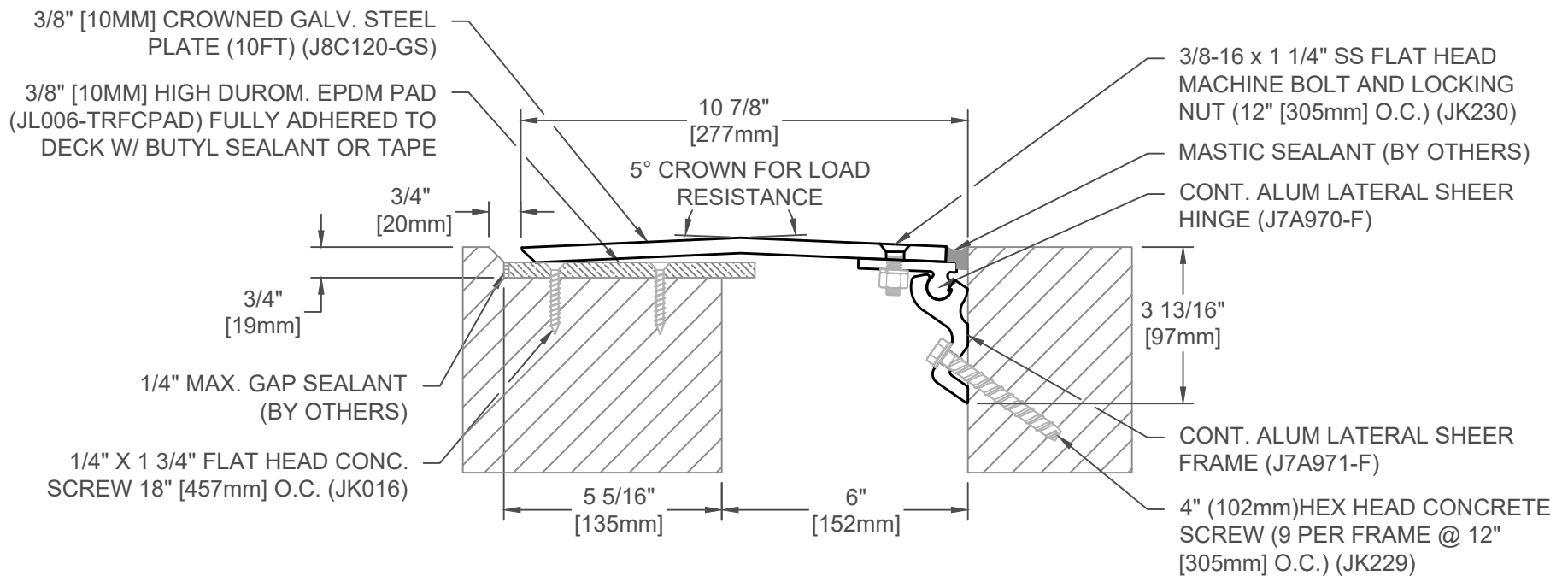
DATE: 7/24/19

SCALE: 1:4

DOC: CADJM.212/R2

**inpro.**

For More Information Visit: [Inprocorp.com](http://Inprocorp.com)



## 797L-G01-150LP

JOINT WIDTH		MOVEMENT ±			
		HORIZONTAL		VERTICAL	
US	mm	US	mm	US	mm
6"	152	3"	75	1"	25

FINISH: HOT DIPPED GALV.

PROJECT:

CUSTOMER:

LOCATION:

APPLICATION - HEAVY DUTY  
SEISMIC LATERAL SHEER FLUSH MOUNT  
FLOOR TO FLOOR SYSTEM

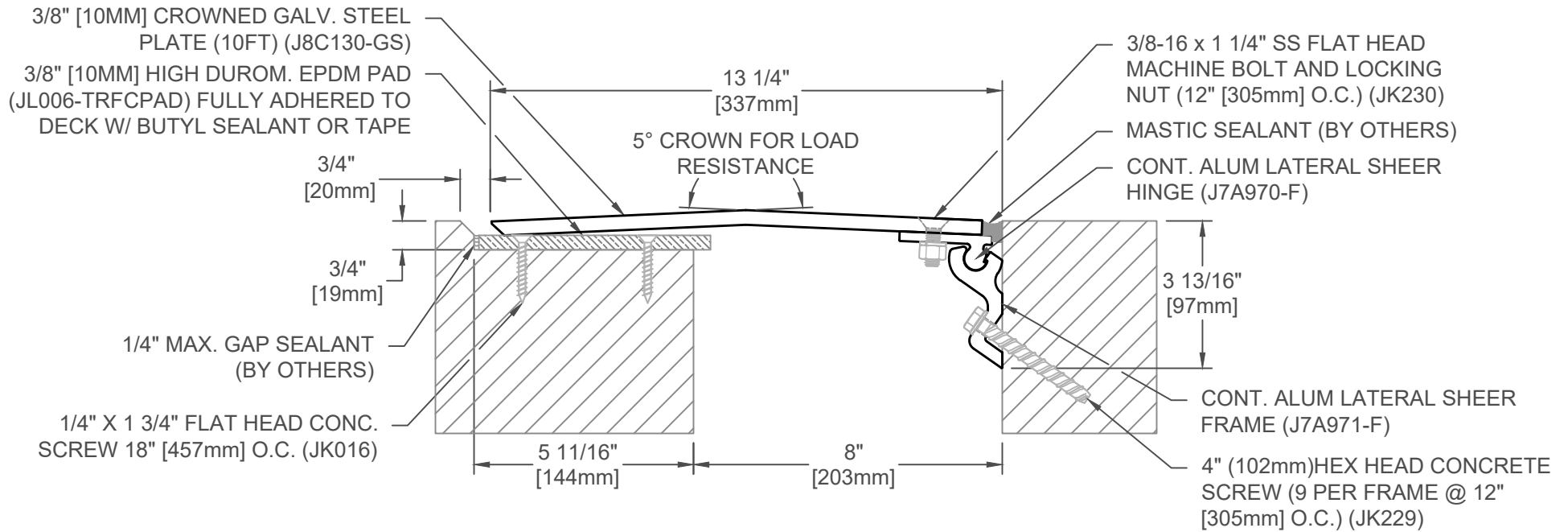
DATE: 7/24/19

SCALE: 1:4

DOC: CADJM.212/R2

**inpro.**

For More Information Visit: [Inprocorp.com](http://Inprocorp.com)



## 797L-G01-200LP

JOINT WIDTH		MOVEMENT ±			
		HORIZONTAL		VERTICAL	
US	mm	US	mm	US	mm
8"	203	4"	102	1"	25

FINISH: HOT DIPPED GALV.

PROJECT:

CUSTOMER:

LOCATION:

APPLICATION - HEAVY DUTY  
SEISMIC LATERAL SHEAR FLUSH MOUNT  
FLOOR TO FLOOR SYSTEM

DATE: 9-23-20

SCALE: 1:4

DOC: CADJM.212/R2

**inpro.**

For More Information Visit: [Inprocorp.com](http://Inprocorp.com)

3/8" [10MM] CROWNED GALV.  
STEEL PLATE (10FT) (J8C121-GS)

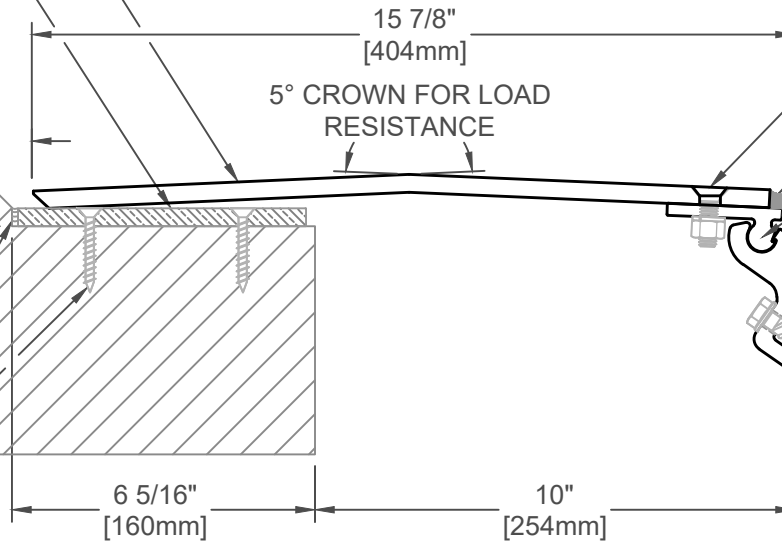
3/8" [10MM] HIGH DUROM.  
EPDM PAD (JL006-TRFCPAD)  
FULLY ADHERED TO DECK W/  
BUTYL SEALANT OR TAPE

3/4"  
[20mm]

3/4"  
[19mm]

1/4" MAX. GAP SEALANT  
(BY OTHERS)

1/4" X 1 3/4" FLAT HEAD  
CONC. SCREW 18"  
[457mm] O.C. (JK016)



5° CROWN FOR LOAD  
RESISTANCE

15 7/8"  
[404mm]

6 5/16"  
[160mm]

10"  
[254mm]

3/8-16 x 1 1/4" SS FLAT HEAD  
MACHINE BOLT AND LOCKING  
NUT (12" [305mm] O.C.) (JK230)

MASTIC SEALANT (BY OTHERS)

CONT. ALUM LATERAL SHEER  
HINGE (J7A970-F)

3 13/16"  
[97mm]

CONT. ALUM LATERAL SHEER  
FRAME (J7A971-F)

4" (102mm) HEX HEAD CONCRETE  
SCREW (9 PER FRAME @ 12"  
[305mm] O.C.) (JK229)

## 797L-G01-250LP

JOINT WIDTH		MOVEMENT ±			
		HORIZONTAL		VERTICAL	
US	mm	US	mm	US	mm
10"	254	5"	127	1"	25

FINISH: HOT DIPPED GALV.

PROJECT:

CUSTOMER:

LOCATION:

APPLICATION - HEAVY DUTY  
SEISMIC LATERAL SHEER FLUSH MOUNT  
FLOOR TO FLOOR SYSTEM

DATE: 9-23-20

SCALE: 1:4

DOC: CADJM.212/R2

**inpro.**

For More Information Visit: [Inprocorp.com](http://Inprocorp.com)

3/8" [10mm] CROWNED GALV.  
STEEL PLATE (8FT) (J8C122-GS)

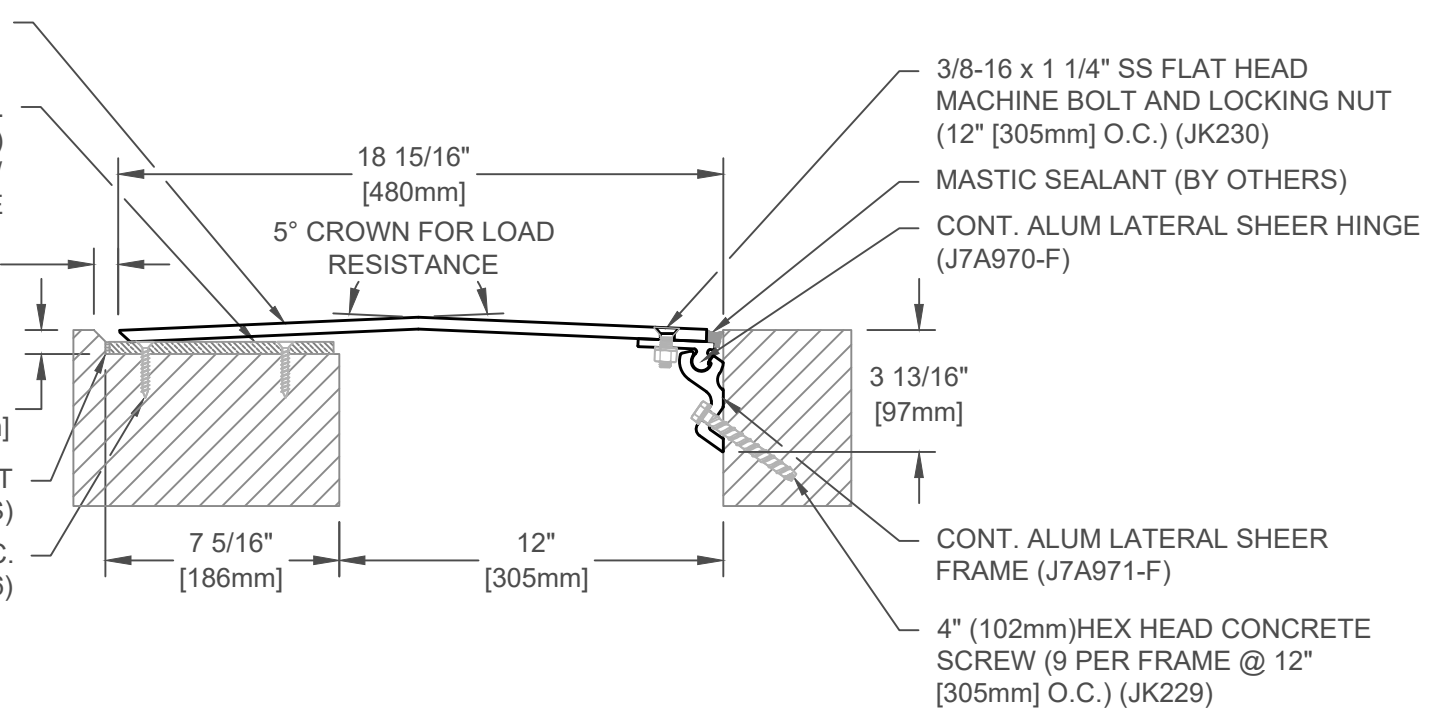
3/8" [10MM] HIGH DUROM.  
EPDM PAD (JL007-TRFCPAD)  
FULLY ADHERED TO DECK W/  
BUTYL SEALANT OR TAPE

3/4"  
[19mm]

3/4"  
[19mm]

1/4" MAX. GAP SEALANT  
(BY OTHERS)

1/4" X 1 3/4" FLAT HEAD CONC.  
SCREW 18" [457mm] O.C. (JK016)



3/8-16 x 1 1/4" SS FLAT HEAD  
MACHINE BOLT AND LOCKING NUT  
(12" [305mm] O.C.) (JK230)

MASTIC SEALANT (BY OTHERS)

CONT. ALUM LATERAL SHEER HINGE  
(J7A970-F)

3 13/16"  
[97mm]

CONT. ALUM LATERAL SHEER  
FRAME (J7A971-F)

4" (102mm) HEX HEAD CONCRETE  
SCREW (9 PER FRAME @ 12"  
[305mm] O.C.) (JK229)

## 797L-G01-300LP

JOINT WIDTH		MOVEMENT ±			
		HORIZONTAL		VERTICAL	
US	mm	US	mm	US	mm
12"	305	6"	152	1"	25

FINISH: HOT DIPPED GALV.

PROJECT:

CUSTOMER:

LOCATION:

APPLICATION - HEAVY DUTY  
SEISMIC LATERAL SHEER FLUSH MOUNT  
FLOOR TO FLOOR SYSTEM

DATE: 9-24-20

SCALE: 1:6

DOC: CADJM.212R2

**inpro.**

For More Information Visit: [Inprocorp.com](http://Inprocorp.com)

1/2" [13MM] CROWNED GALV. STEEL PLATE (6FT) (J8C131-GS)

3/8" [10MM] HIGH DUROM. EPDM PAD (JL012-TRFCPAD) FULLY ADHERED TO DECK W/ BUTYL SEALANT OR TAPE

3/8-16 x 1 1/4" SS FLAT HEAD MACHINE BOLT AND LOCKING NUT (12" [305mm] O.C.) (JK230)

MASTIC SEALANT (BY OTHERS)

CONT. ALUM LATERAL SHEER HINGE (J7A970-F)

3/4" [20mm]

29 1/4" [743mm]

7/8" [22mm]

5° CROWN FOR LOAD RESISTANCE

4" [102mm]

1/4" MAX. GAP SEALANT (BY OTHERS)

11 11/16" [297mm]

18" [457mm]

CONT. ALUM LATERAL SHEER FRAME (J7A971-F)

1/4" X 1 3/4" FLAT HEAD CONC. SCREW 18" [457mm] O.C. (JK016)

4" (102mm) HEX HEAD CONCRETE SCREW (9 PER FRAME @ 12" [305mm] O.C.) (JK229)

### 797L-G01-450LP

JOINT WIDTH		MOVEMENT ±			
		HORIZONTAL		VERTICAL	
US	mm	US	mm	US	mm
18"	457	9"	229	1"	25

FINISH: HOT DIPPED GALV.
PROJECT:
CUSTOMER:
LOCATION:

APPLICATION - HEAVY DUTY  
SEISMIC LATERAL SHEER FLUSH MOUNT  
FLOOR TO FLOOR SYSTEM

DATE: 9-24-20

SCALE: 1:6

DOC: CADJM.212R2

**inpro.**

For More Information Visit: [Inprocorp.com](http://Inprocorp.com)

1/2" [13MM] CROWNED GALV. STEEL PLATE (6FT) (J8C133-GS)

3/8" [10MM] HIGH DUROM. EPDM PAD (JL015-TRFCPAD) FULLY ADHERED TO DECK W/ BUTYL SEALANT OR TAPE

3/4" [19mm]

38 5/16" [972mm]

MASTIC SEALANT (BY OTHERS)

CONT. ALUM LATERAL SHEER HINGE (J7A970-F)

7/8" [22mm]

5° CROWN FOR LOAD RESISTANCE

4" [102mm]

1/4" MAX. GAP SEALANT (BY OTHERS)

14 11/16" [373mm]

24" [610mm]

4" (102mm) HEX HEAD CONCRETE SCREW (9 PER FRAME @ 12" [305mm] O.C.) (JK229)

1/4" X 1 3/4" FLAT HEAD CONC. SCREW 18" [457mm] O.C. (JK016)

CONT. ALUM LATERAL SHEER FRAME (J7A971-F)

3/8-16 x 1 1/4" SS FLAT HEAD MACHINE BOLT AND LOCKING NUT (12" [305mm] O.C.) (JK230)

### 797L-G01-600LP

JOINT WIDTH		MOVEMENT ±			
		HORIZONTAL		VERTICAL	
US	mm	US	mm	US	mm
24"	610	12"	305	1"	25

FINISH: HOT DIPPED GALV.

PROJECT:

CUSTOMER:

LOCATION:

APPLICATION - HEAVY DUTY SEISMIC LATERAL SHEER FLUSH MOUNT FLOOR TO FLOOR SYSTEM

DATE: 9-25-20

SCALE: 1:6

DOC: CADJM.212R2



For More Information Visit: [Inprocorp.com](http://Inprocorp.com)