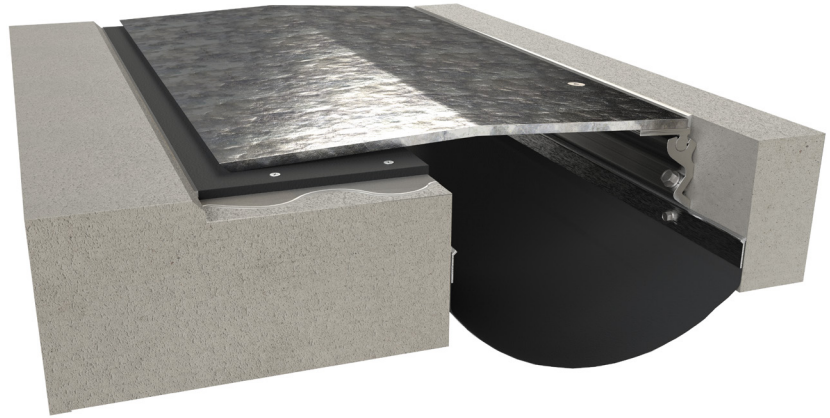


797L Series

G01/G02 - Vehicular Traffic



Movement Rating $\pm 100\%$

Product Guide



Seismic

Exterior

Interior

Heavy Duty

Fire Rated Option

Vapor Barrier Option

- ▶ Seismic cover plate system designed to meet the needs of structures open to the elements and vehicular loading.
- ▶ Full lateral shear capability of $\pm 100\%$ movement.
- ▶ Heavy duty system uses a thick high strength plate and crowned profile for increased load resistance and a longer lifecycle.
 - ▶ Materials handling equipment
 - ▶ Forklifts/Scissorlifts/Cherry pickers
 - ▶ High frequency (low speed) entry points for vehicular traffic
 - ▶ Class 1-4 DOT classified heavy duty vehicles
- ▶ Galvanized A36 steel standard. Stainless Steel and Aluminum options available.
- ▶ Plates are compliant with ADA requirements, and allows for a smooth transition over the joint.
- ▶ Shallow blockout ensures no interference with the rebar / cabling structure.
- ▶ High durometer EPDM pads absorb traffic vibrations and act as a noise dampening device.

Application	System	W		H		Movement					
		Joint Width		Height		Lateral		Horizontal		Vertical	
		US	mm	US	mm	US	mm	US	mm	US	mm
Floor to Floor / Floor to Wall	797-G01/G02-150	6"	150	3/4"	20	6"	150	6"	150	3"	76
	797-G01/G02-200	8"	200	3/4"	20	8"	200	8"	200	4"	102
	797-G01/G02-250	10"	250	3/4"	20	10"	250	10"	250	5"	126
	797-G01/G02-300	12"	300	3/4"	20	12"	300	12"	300	6"	152
	797-G01/G02-450	18"	450	3/4"	20	18"	450	18"	450	9"	229
	797-G01/G02-600	24"	600	3/4"	20	24"	600	24"	600	12"	304

*Available in custom widths, please contact InPro Corporation for more details.

*Contact your InPro Representative for project specific loading capabilities.

IPC.3161/REV.1

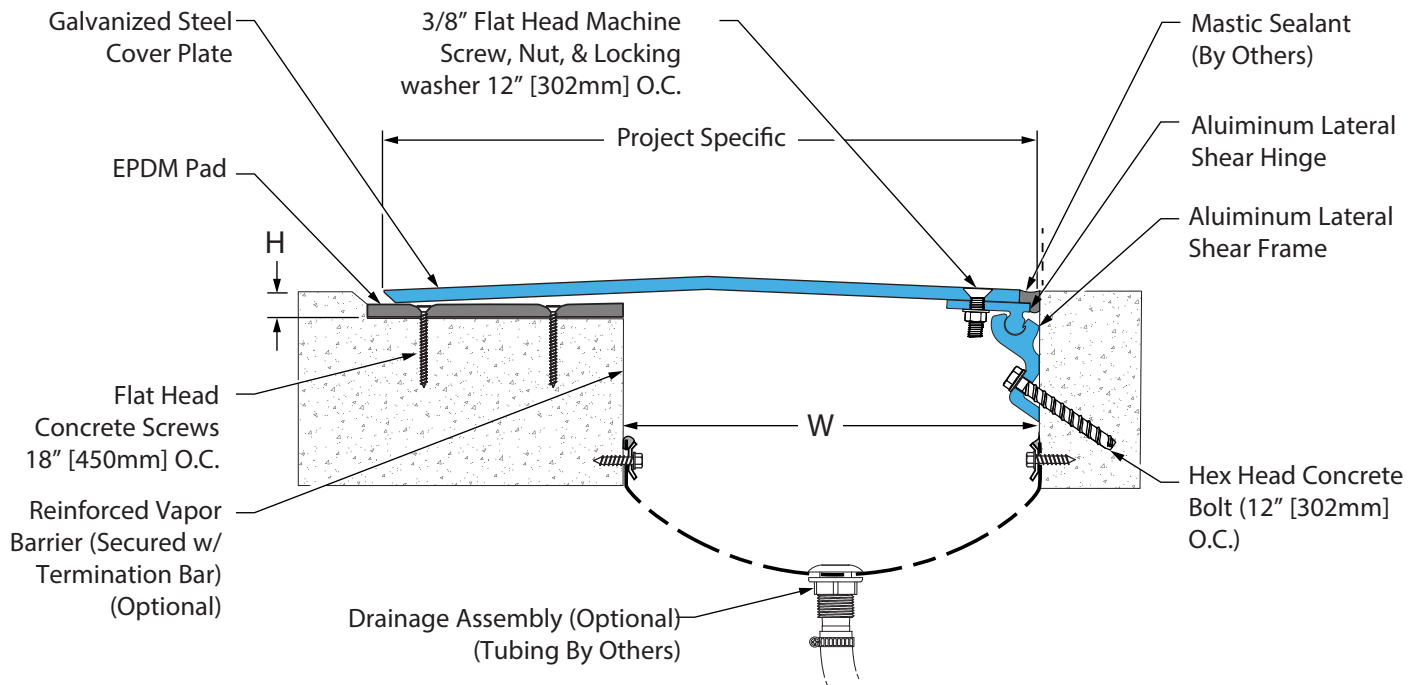
Inprocorp.com • 800.222.5556 • 262.679.9010
 World Headquarters S80 W18766 Apollo Drive, Muskego, WI 53150 USA

JOINTMASTER®
 EXPANSION JOINT SYSTEMS
 A DIVISION OF INPRO®

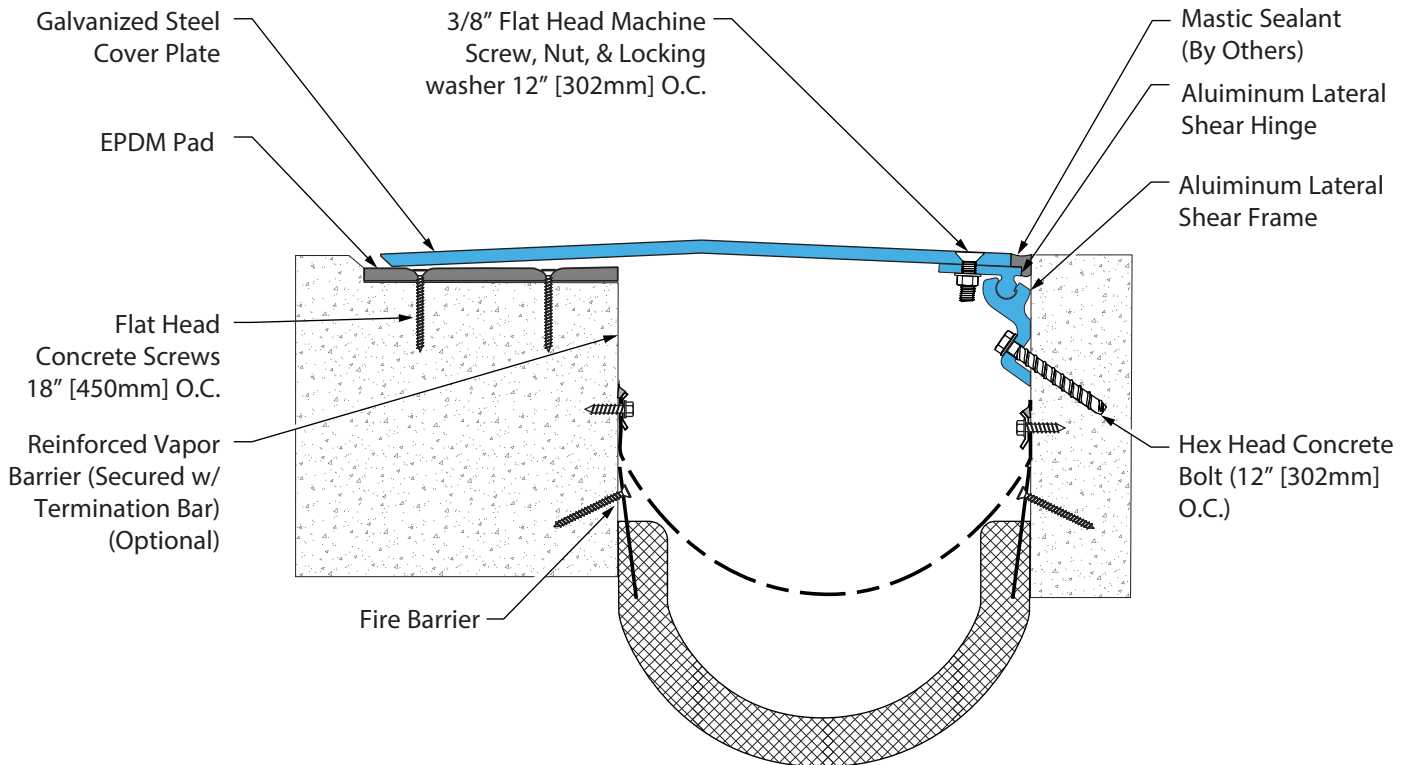
797L Series

Heavy Duty Seismic Floor Systems

797L-G01 Floor/Floor



797L Series Options



Inprocorp.com • 800.222.5556 • 262.679.9010

World Headquarters S80 W18766 Apollo Drive, Muskego, WI 53150 USA

JOINTMASTER®

EXPANSION JOINT SYSTEMS
A DIVISION OF INPRO®