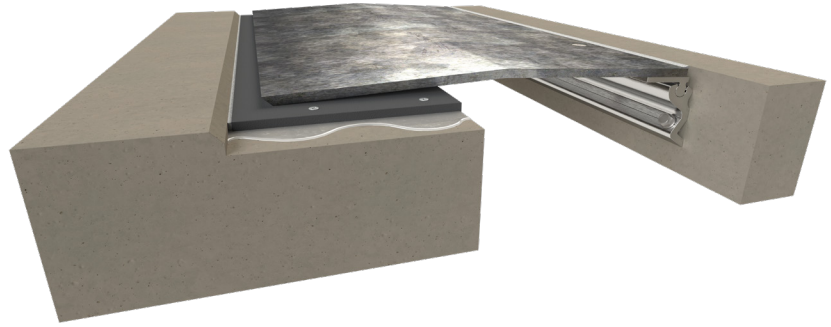


# 797L Series

## G01/G02 - Vehicular Traffic



**Movement Rating  $\pm 100\%$**

### Product Guide



Seismic

Exterior

Interior

Heavy Duty

Fire Rated Option

Vapor Barrier Option

ADA

- ▶ Seismic cover plate system designed to meet the needs of structures open to the elements and vehicular loading.
- ▶ Full lateral shear capability of  $\pm 100\%$  movement.
- ▶ Low profile & surface mount hinge configurations exist for maximum design flexibility.
- ▶ Heavy duty system uses a thick high strength plate and crowned profile for increased load resistance and a longer life cycle.
  - ▶ Materials handling equipment
  - ▶ Forklifts/Scissorlifts/Cherry pickers
  - ▶ High frequency (low speed) entry points for vehicular traffic
  - ▶ Class 1-4 DOT classified heavy duty vehicles
- ▶ Galvanized A36 steel standard. Stainless Steel and Aluminum options available.
- ▶ Plates are compliant with ADA requirements, and allows for a smooth transition over the joint.
- ▶ Shallow blockout ensures no interference with the rebar / cabling structure.
- ▶ High durometer EPDM pads absorb traffic vibrations and act as a noise dampening device.
- ▶ Multiple waterproofing options exist for use in conjunction with this system.

Application	System	W		H		Movement					
		Joint Width		Height		Lateral		Horizontal		Vertical	
		US	mm	US	mm	US	mm	US	mm	US	mm
Flush Low Profile Floor to Floor / Floor to Wall	797L-G01-150L	6"	152	3/4"	20	6"	152	6"	152	3"	76
	797L-G0-200L	8"	203	3/4"	20	8"	203	8"	203	4"	102
	797L-G01-250L	10"	254	3/4"	20	10"	254	10"	254	5"	126
	797L-G01-300L	12"	305	3/4"	20	12"	305	12"	305	6"	152
	797L-G01-450L	18"	457	3/4"	20	18"	457	18"	457	9"	229
	797L-G01-600L	24"	609	3/4"	20	24"	609	24"	609	12"	304
Surface Mount Floor to Floor	797L-G01-150S	6"	152	3/4"	20	6"	152	6"	152	3"	76
	797L-G01200S	8"	203	3/4"	20	8"	203	8"	203	4"	102
	797L-G01-250S	10"	254	3/4"	20	10"	254	10"	254	5"	126
	797L-G01-300S	12"	305	3/4"	20	12"	305	12"	305	6"	152
	797L-G01-450S	18"	457	3/4"	20	18"	457	18"	457	9"	229
	797L-G01-600S	24"	609	3/4"	20	24"	609	24"	609	12"	304

\*Available in custom widths, please contact InPro Corporation for more details.

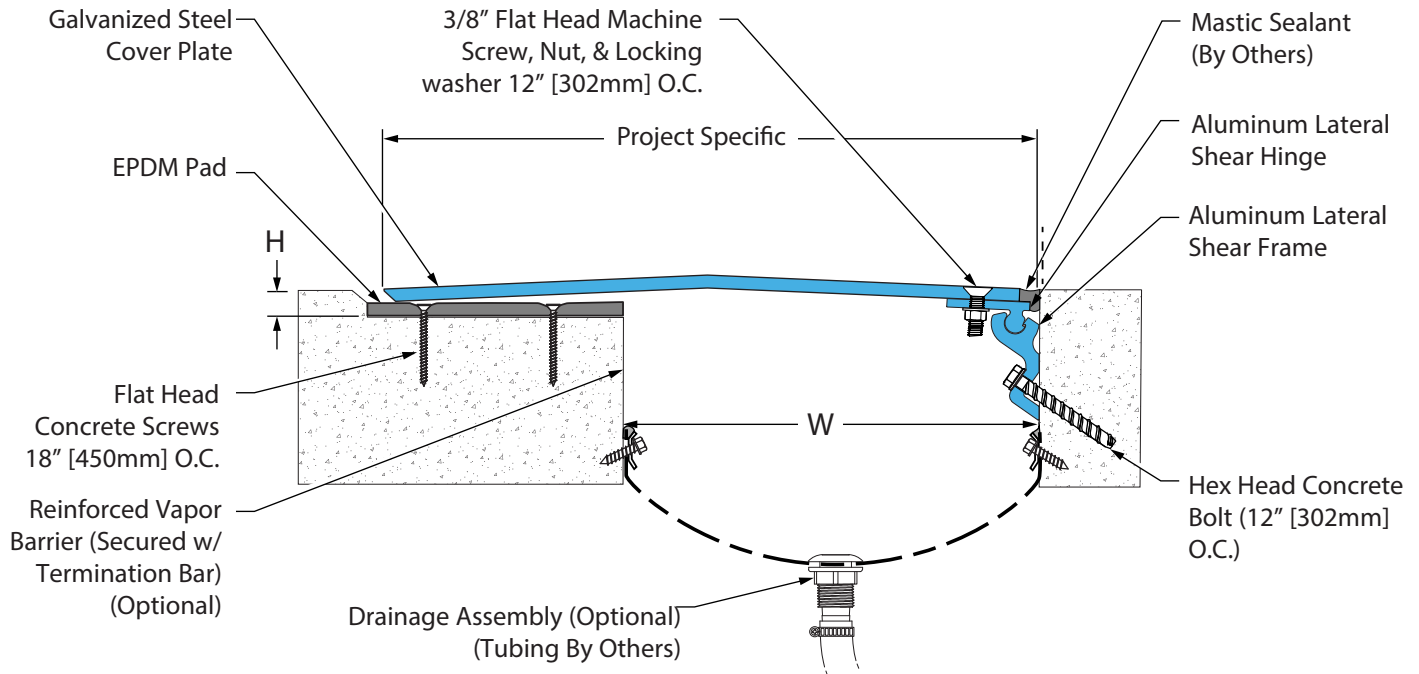
\*Contact your InPro Representative for project specific loading capabilities.

IPC.3161/REV.3

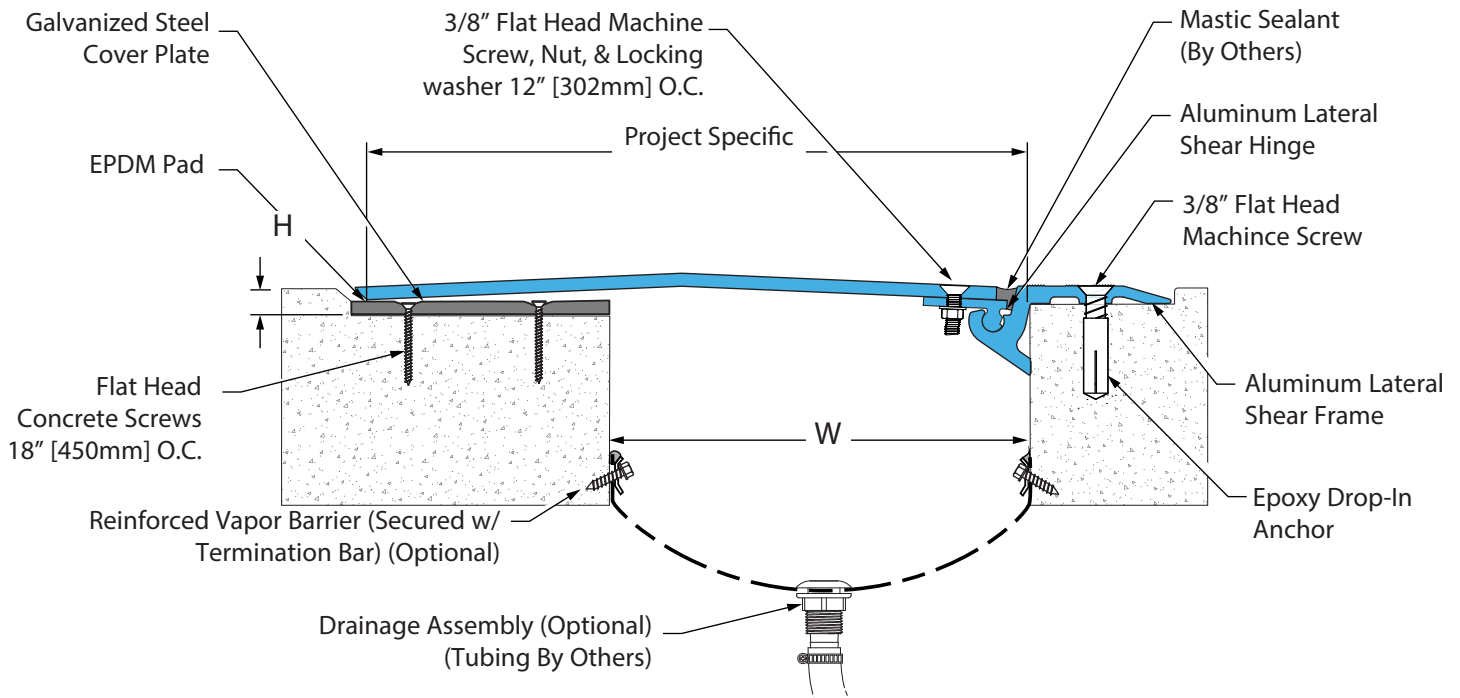
# 797L Series

## Heavy Duty Seismic Floor Systems

### 797L-G01-L (Flush/Low Profile) Floor/Floor



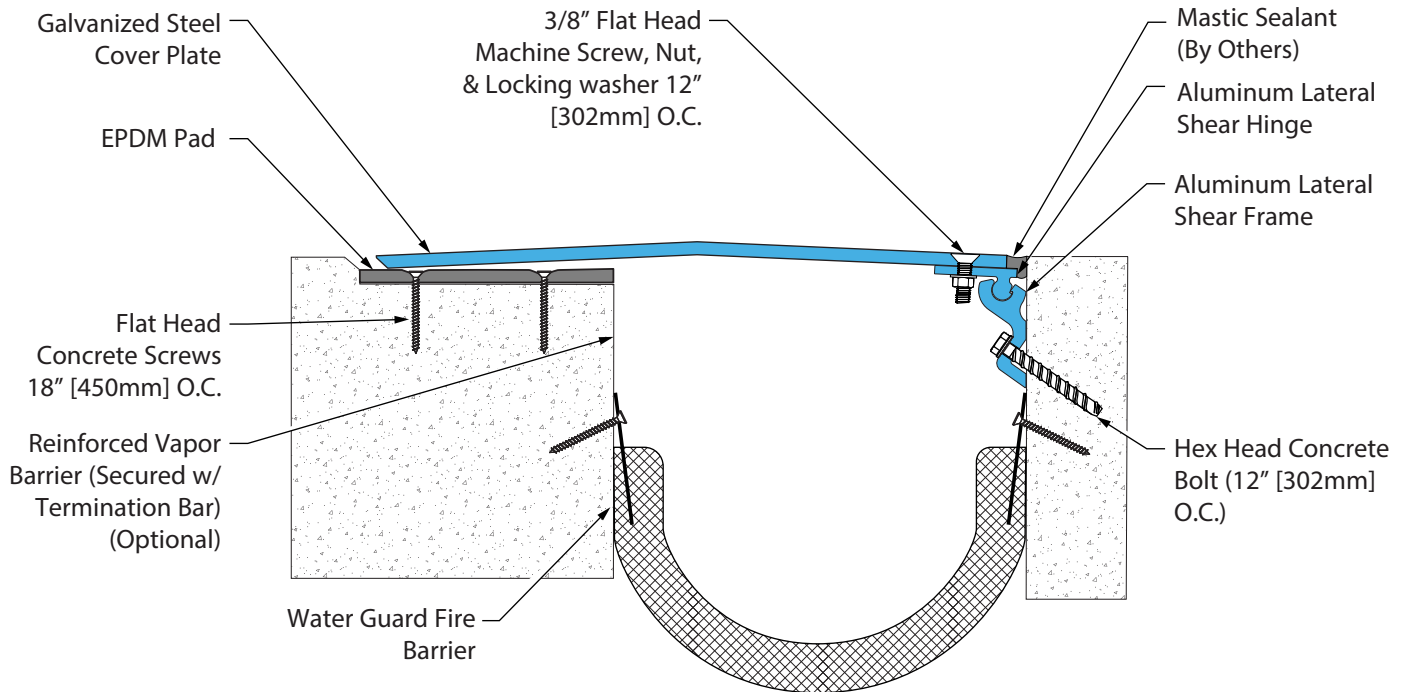
### 797L-G01-S (Surface Mount) Floor/Floor



# 797L Series

## Options

### 797L-G01-L (Flush/Low Profile) W/ Waterguard Fire Barrier



### 797L-G01-S (Surface Mount) W/ Waterproof Foam Seal

