

# Installation Instructions

Please read all instructions before installing handrail.

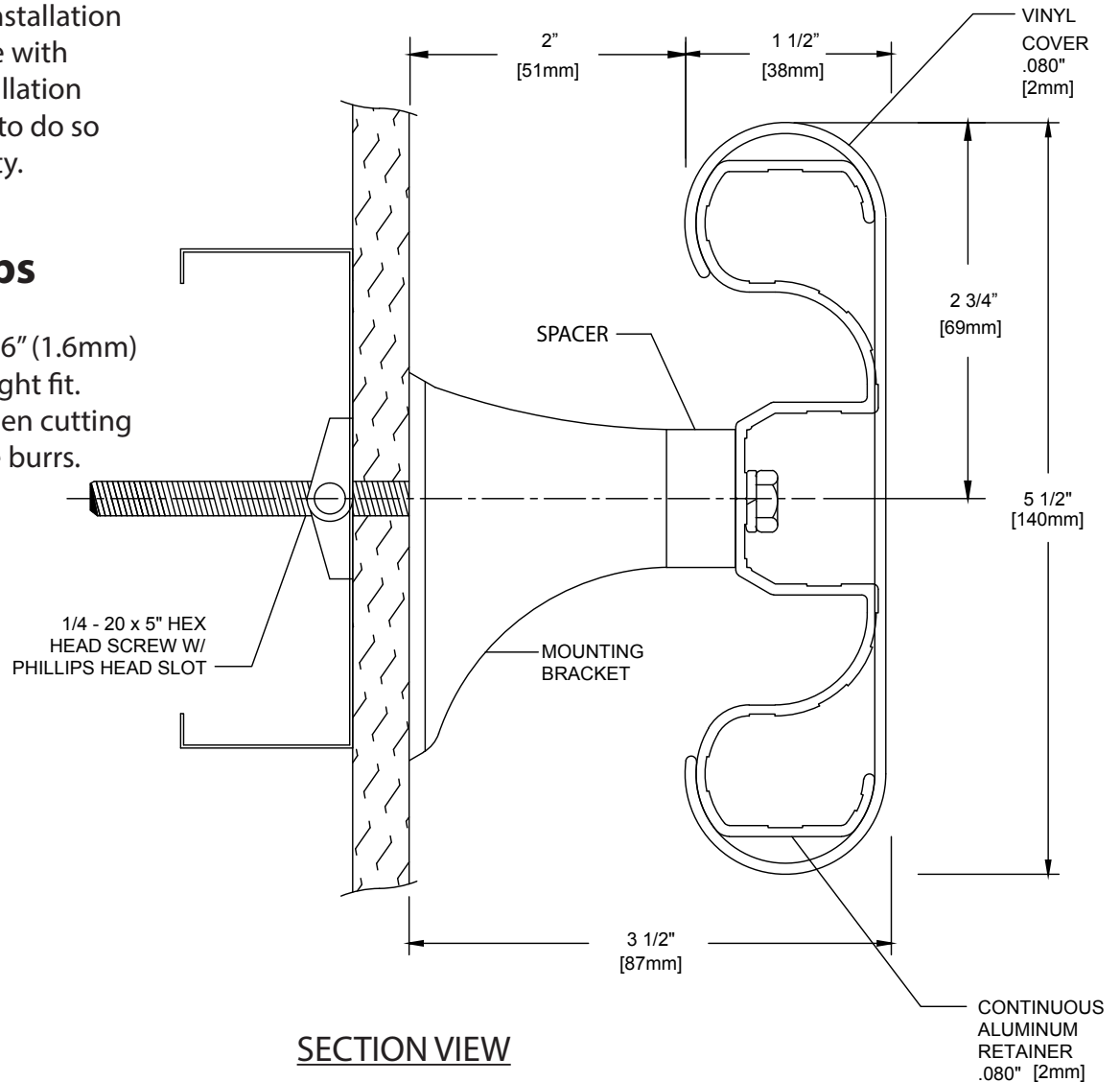
800/800W/855/G2-800 Handrails International Compliant

## Important

1. Acclimate materials 24 hrs before installation. Maintain temperature controlled environment after installation
2. Install in accordance with manufacturer's installation instructions. Failure to do so will void the warranty.

## Installation tips

1. Cut covers up to 1/16" (1.6mm) longer to ensure a tight fit.
2. Lubricate blades when cutting aluminum to reduce burrs.



## Recommended tools

Safety Glasses, Tape Measure, 3/8" socket for machine screw hex bolt, 7/16" socket for wood screw hex bolt Level, Power Drill, Drill Bits - 1/4" masonry (concrete/concrete block), Power Miter Saw, 10" Blade with 60-80 Carbide Tipped Teeth

IPC.1971\_REV1

Installation Hotline • 866.EZINPRO  
Inprocorp.com • 800.222.5556 • 262.679.9010  
World Headquarters S80 W18766 Apollo Drive, Muskego, WI 53150 USA

**IPC**®  
DOOR + WALL PROTECTION SYSTEMS  
A DIVISION OF INPRO®

# Installation Instructions

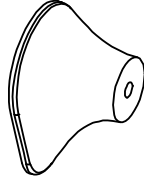
Please read all instructions before installing handrail.

800/800W/855/G2-800 Handrails International Compliant

## Components and fasteners



800A  
CONTINUOUS  
ALUMINUM RETAINER



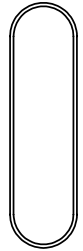
801  
MOUNTING BRACKET



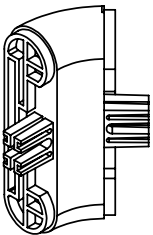
1001SP  
MOUNTING BRACKET  
SPACER



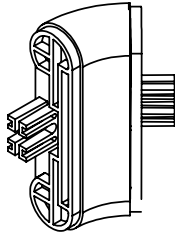
800V  
COVER



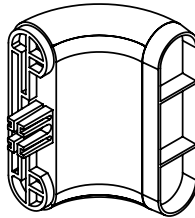
800HR  
REVEAL  
STANDARD ON  
800W, G2-800



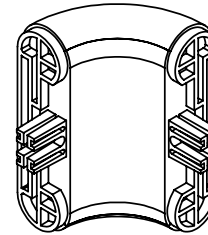
803135  
135 OUTSIDE  
CORNER



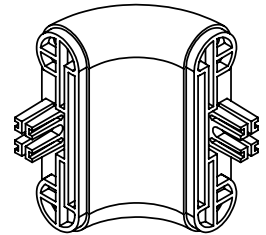
805135  
135 INSIDE  
CORNER



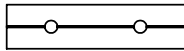
802SP  
HANDRAIL RETURN



803  
HANDRAIL OUTSIDE



805  
HANDRAIL INSIDE



804  
HANDRAIL SPLICE



1/4"  
LOCK WASHER  
SPRING REGULAR



1/4"-20  
FLANGED SCREW  
HEX NUT



1/4"-20 X 1  
HEX WASHER  
SCREW

Wall Condition	Specified Fasteners	Inpro Part #
Steel Stud/Gypsum Wall	1/4-20 x 5" Phillips hex head Bolt with toggle wing and lock washer	HWK-801D
Concrete/Concrete Block	1/4-20 x 5" Phillips hex head bolt with lead anchor and lock washer	HWK-801C
Wood Stud/Gypsum Wall	1/4" x 5" Hex Head Wood Screw and lock washer	HWK-801W
16 gauge steel Backer/Gypsum wall	#14 X 4" Indented hex washer, zink-plated TEK SCREW	HW69
Steel Stud or Metal Backer/Drywall (OSHDP)	1/4-20 x 5" Phillips hex head Bolt with lock washer and 1/4" Hilti Toggler	HWK-801OD
Concrete/Concrete Block (OSHDP)	1/4" x 4" Torx Hex Washer Head Screw (Hilti Kwik-Con II) and lock washer	HWK-801OC
Wood Stud or Wood Backer/Gypsum Wall (OSHDP)	1/4" x 5" Hex Head Wood Screw and lock washer	HWK-801OW

Installation Hotline • 866.EZINPRO

Inprocorp.com • 800.222.5556 • 262.679.9010

World Headquarters S80 W18766 Apollo Drive, Muskego, WI 53150 USA

IPC®

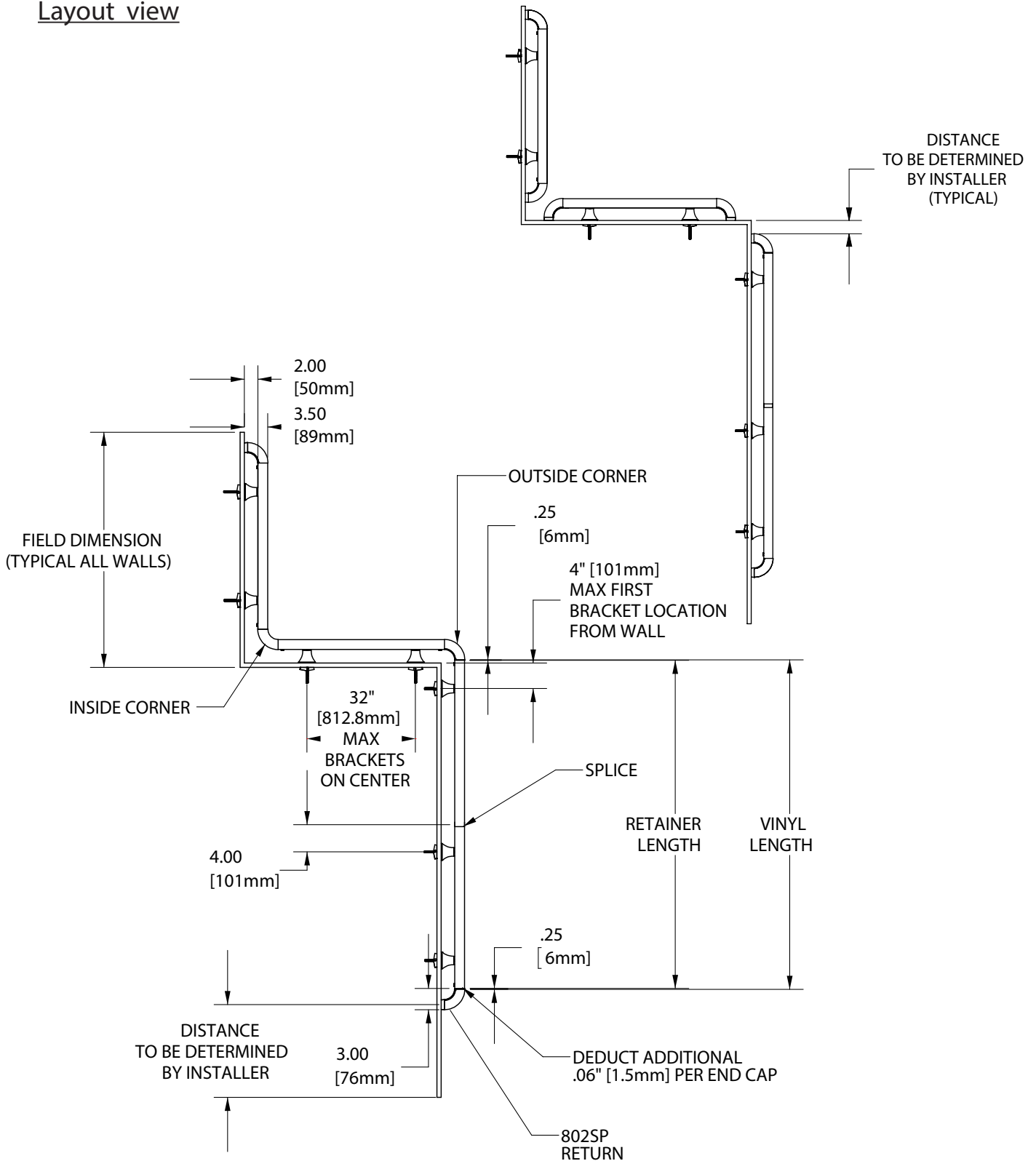
DOOR + WALL PROTECTION SYSTEMS  
A DIVISION OF INPRO®

# Installation Instructions

Please read all instructions before installing handrail.

800/800W/855/G2-800 Handrails International Compliant

## Layout view



Installation Hotline • 866.EZINPRO

Inprocorp.com • 800.222.5556 • 262.679.9010

World Headquarters S80 W18766 Apollo Drive, Muskego, WI 53150 USA

IPC®

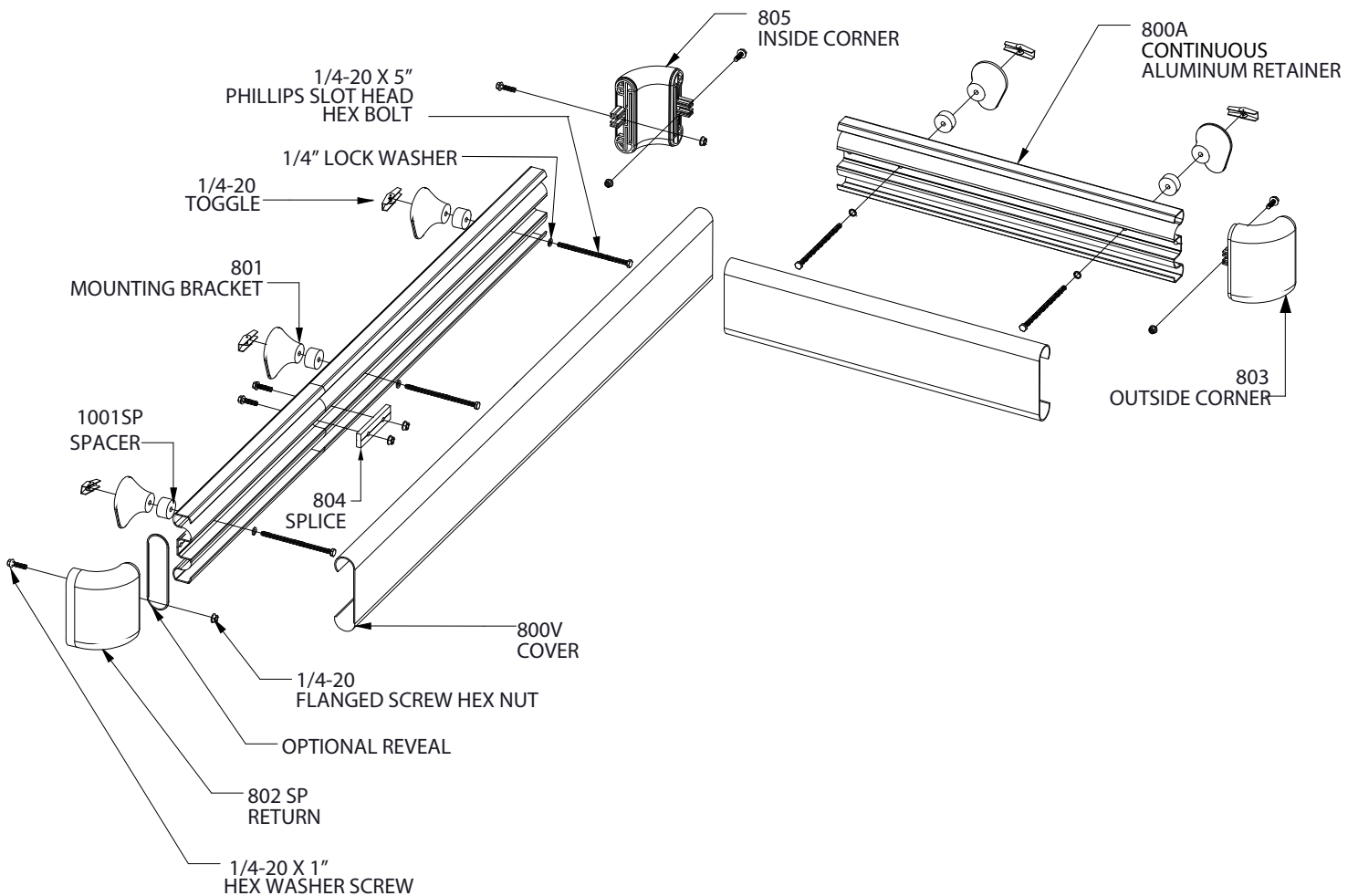
DOOR + WALL PROTECTION SYSTEMS  
A DIVISION OF INPRO®

# Installation Instructions

Please read all instructions before installing handrail.

800/800W/855/G2-800 Handrails International Compliant

## Exploded view assembly



Installation Hotline • 866.EZINPRO

Inprocorp.com • 800.222.5556 • 262.679.9010

World Headquarters S80 W18766 Apollo Drive, Muskego, WI 53150 USA

IPC®

DOOR + WALL PROTECTION SYSTEMS  
A DIVISION OF INPRO®

# Installation Instructions

Please read all instructions before installing handrail.

800/800W/855/G2-800 Handrails International Compliant

FIG. 1

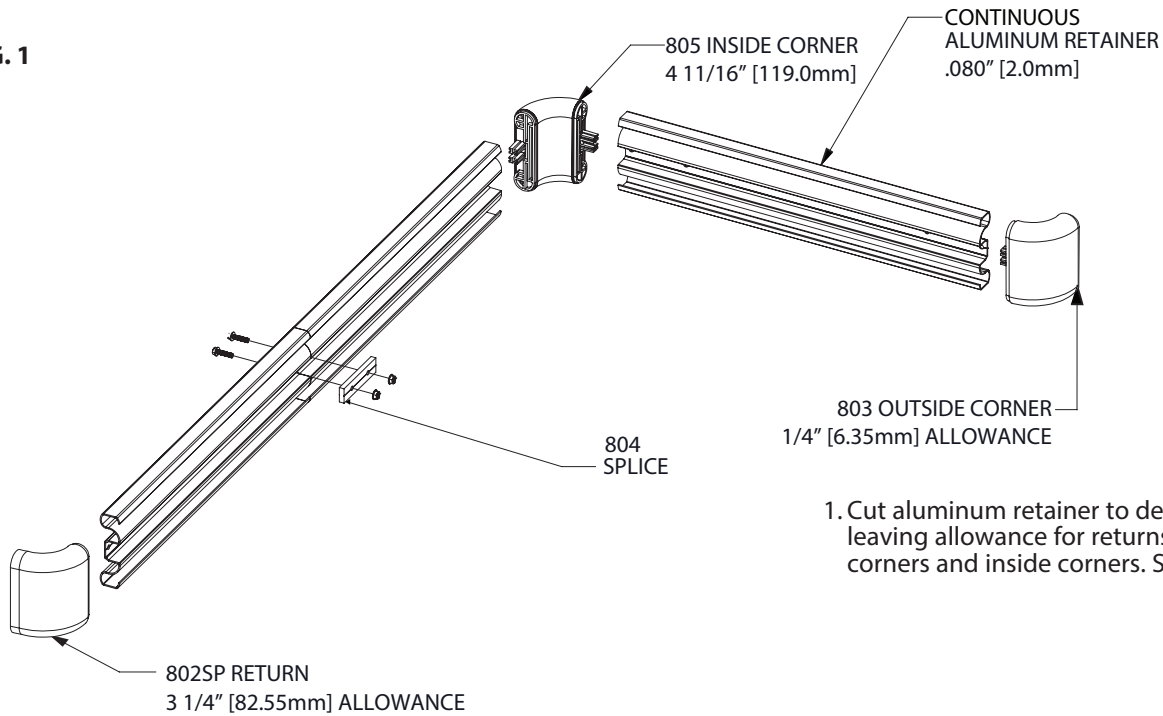
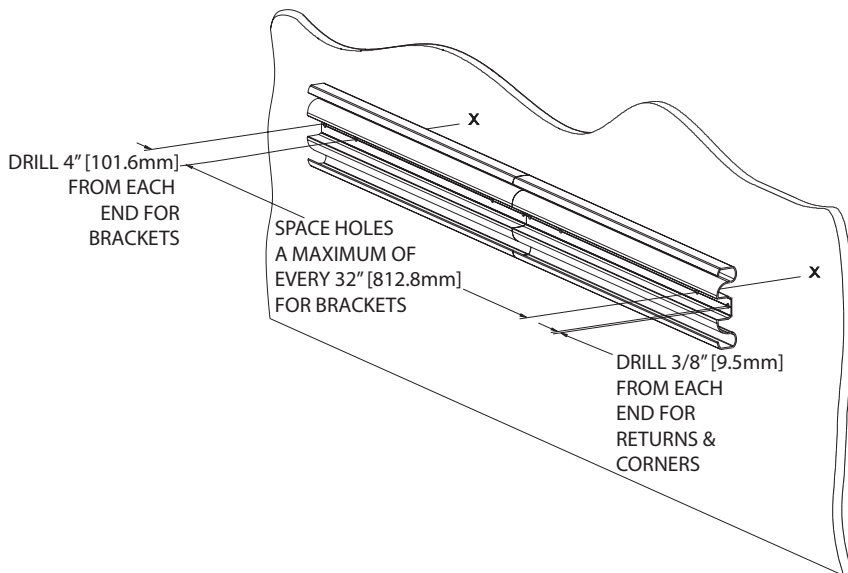


FIG. 2



2. Drill holes in centerline of aluminum retainer for brackets, returns and corners using 1/4" (6mm) drill bit. Position aluminum retainer against wall at desired height allowing for returns and corners. Level and mark bracket holes on wall. Drill marked holes with 3/4" (19mm) drill bit for toggle bolts (drywall installation) or 1/2" (13mm) drill bit for lead anchor (concrete wall installation). See Figure 2.

Installation Hotline • 866.EZINPRO

Inprocorp.com • 800.222.5556 • 262.679.9010

World Headquarters S80 W18766 Apollo Drive, Muskego, WI 53150 USA

IPC®

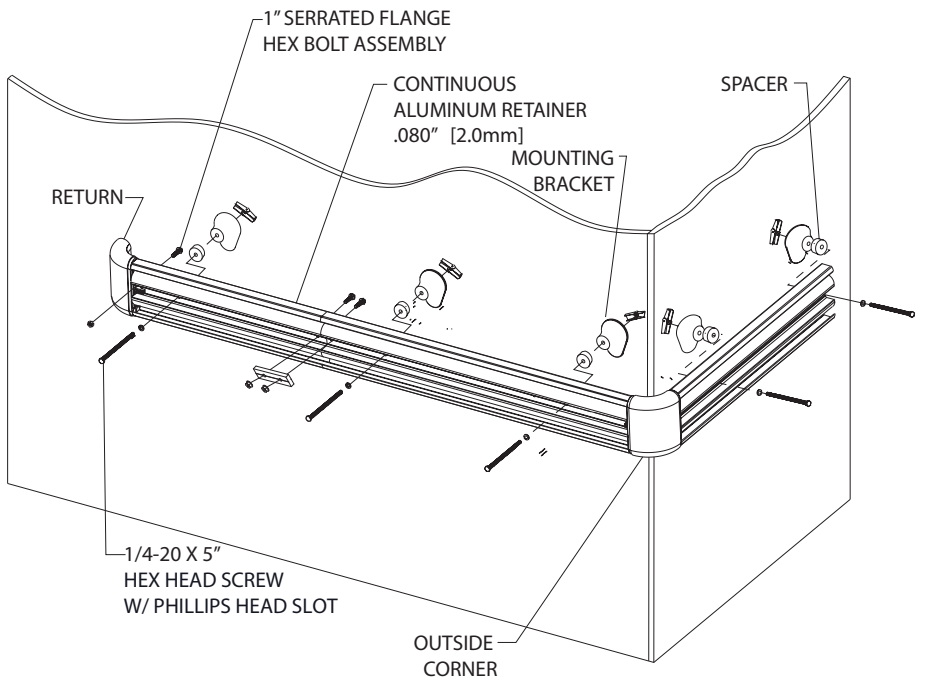
DOOR + WALL PROTECTION SYSTEMS  
A DIVISION OF INPRO®

# Installation Instructions

800/800W/855/G2-800 Handrails International Compliant

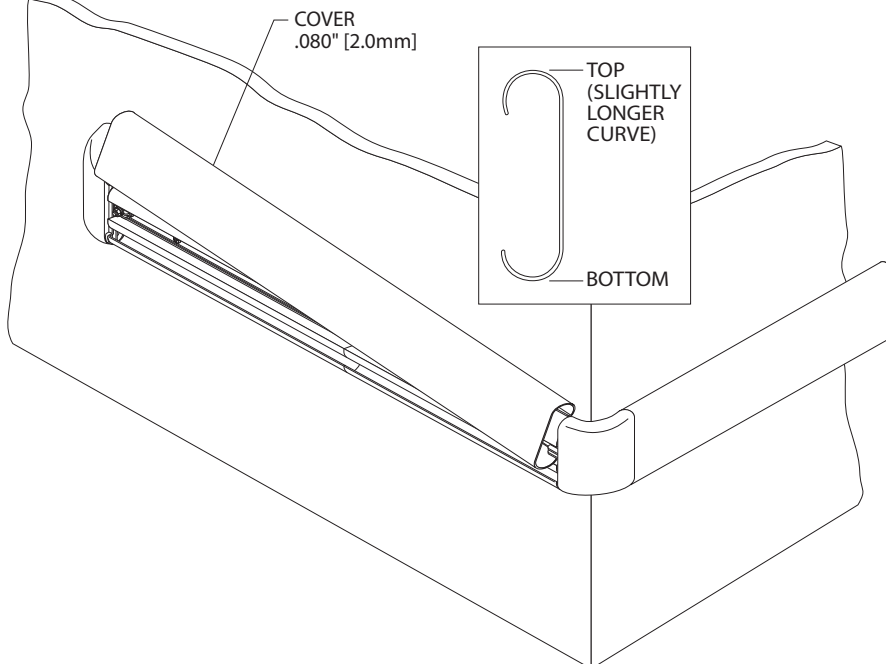
Please read all instructions before installing handrail.

FIG. 3



3. Attach returns and corners to retainer leaving a  $\frac{1}{16}$ " (1.5mm) gap between returns/ corners and retainer to allow for adjustment. Loosely attach brackets with spacers to retainer. Mount on wall, level retainer and tighten screws to secure. See Figure 3.

FIG. 4



4. Cut cover to length between returns and/or corners. (Note: Distinct top and bottom for cover. Trim factory edges square before installation). Position cover on retainer and adjust returns and/or corners for a tight fit. Snap cover on retainer by starting at top and pivoting over the bottom of retainer. See Figure 4.

Note: For 855 Covers Only – When continuous runs are over 12' (3m), covers should be installed in consecutive order using the numbers found on the back of covers. This ensures proper alignment of accent strip.

Installation Hotline • 866.EZINPRO

Inprocorp.com • 800.222.5556 • 262.679.9010

World Headquarters S80 W18766 Apollo Drive, Muskego, WI 53150 USA

IPC®

DOOR + WALL PROTECTION SYSTEMS  
A DIVISION OF INPRO®