

## 801-A07-025

JOINT WIDTH		MOVEMENT ±			
		HORIZONTAL		VERTICAL	
US	mm	US	mm	US	mm
1"	25	1/2"	13	--	--

FINISH: CLEAR ANODIZED

PROJECT:

CUSTOMER:

LOCATION:

APPLICATION-  
WALL/WALL, CEILING/CEILING CONDITION  
STANDARD COVER PLATE

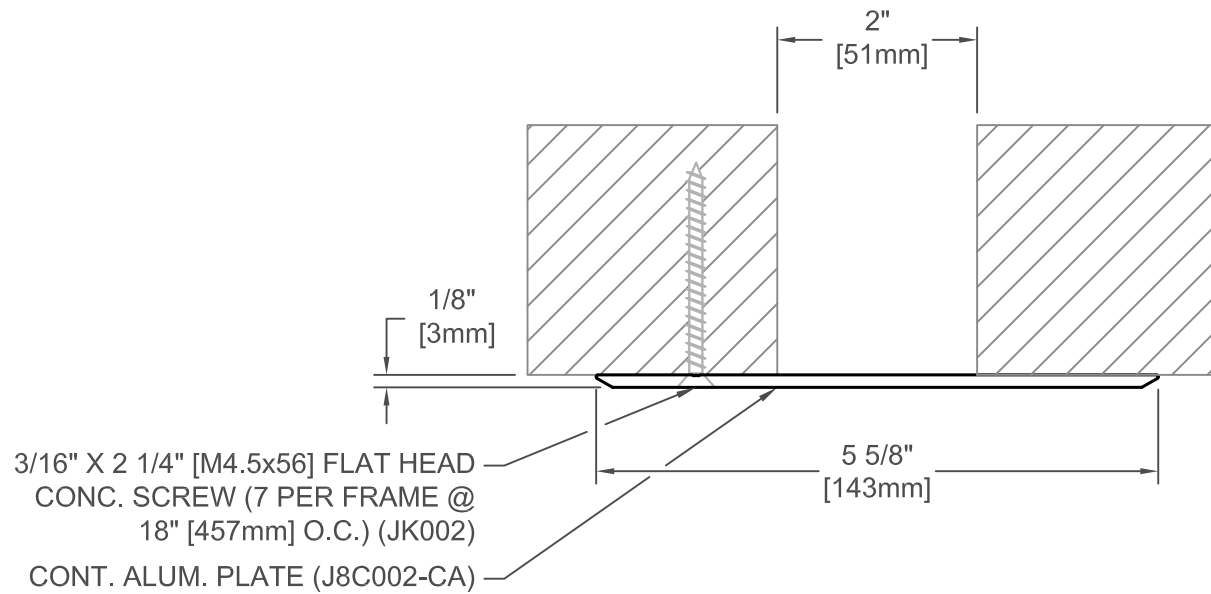
DATE: 4-22-19

SCALE: 1:2

DOC: CADJM.210/R1

**inpro.**<sup>®</sup>

For More Information Visit: [Inprocorp.com](http://Inprocorp.com)



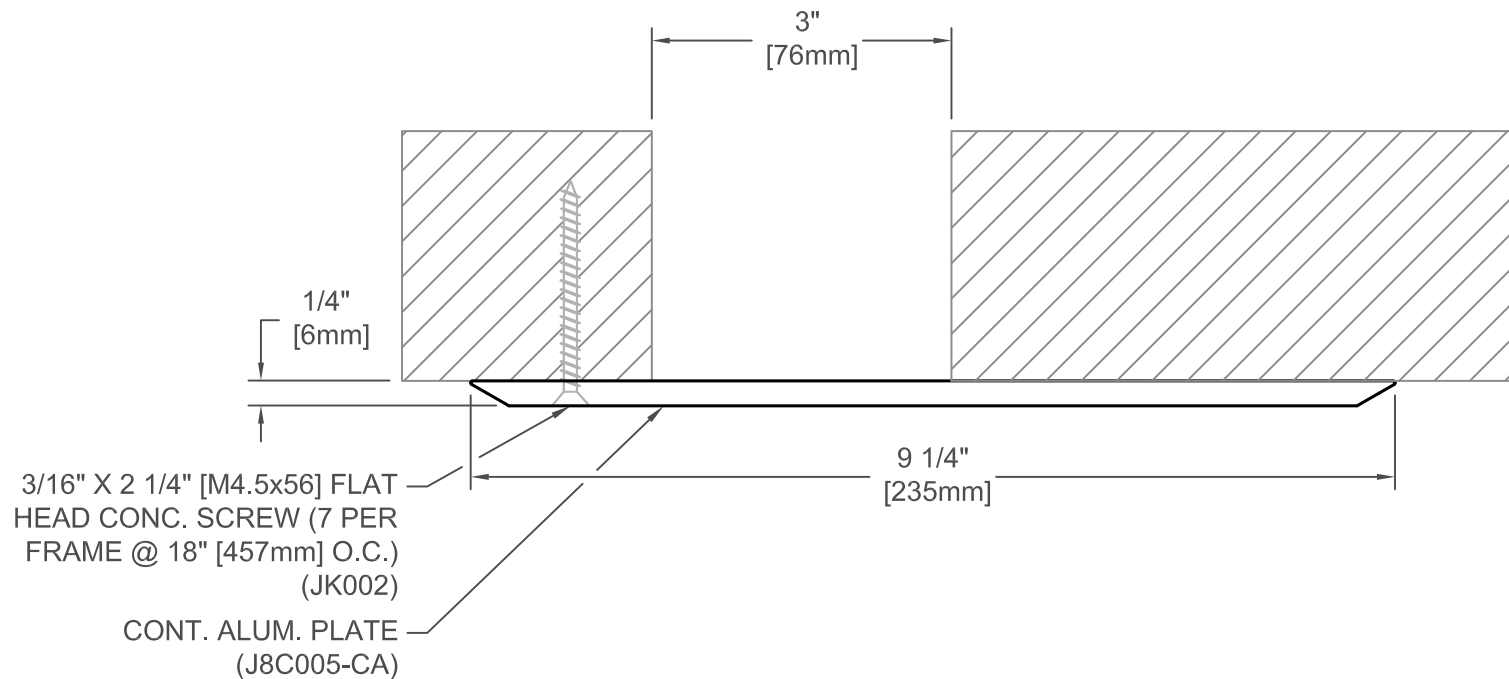
### 801-A07-050

JOINT WIDTH		MOVEMENT ±			
		HORIZONTAL		VERTICAL	
US	mm	US	mm	US	mm
2"	51	1"	25	--	--

FINISH: CLEAR ANODIZED
PROJECT:
CUSTOMER:
LOCATION:

APPLICATION-  
WALL/WALL, CEILING/CEILING CONDITION  
STANDARD COVER PLATE

DATE:	4-22-19
SCALE:	1:2
DOC:	CADJM.210/R1



## 801-A07-075

JOINT WIDTH		MOVEMENT ±			
		HORIZONTAL		VERTICAL	
US	mm	US	mm	US	mm
3"	76	1 1/2"	38	--	--

FINISH: CLEAR ANODIZED

PROJECT:

CUSTOMER:

LOCATION:

APPLICATION-  
WALL/WALL, CEILING/CEILING CONDITION  
STANDARD COVER PLATE

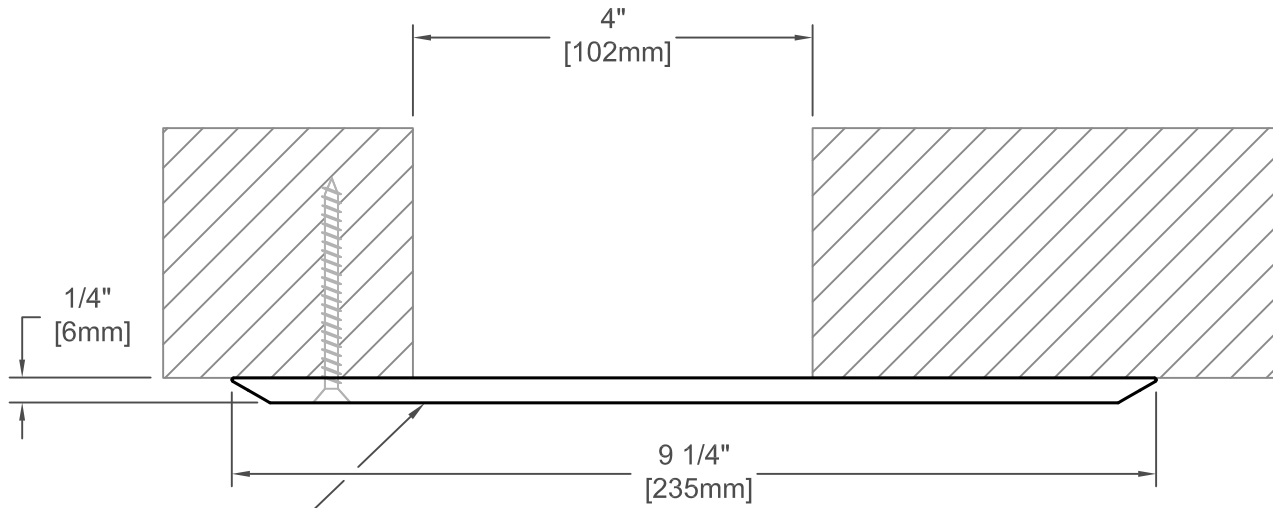
DATE: 4-22-19

SCALE: 1:2

DOC: CADJM.210/R1

**inpro.**<sup>®</sup>

For More Information Visit: [Inprocorp.com](http://Inprocorp.com)



CONT. ALUM. PLATE  
(J8C005-CA)

### 801-A07-100

JOINT WIDTH		MOVEMENT ±			
		HORIZONTAL		VERTICAL	
US	mm	US	mm	US	mm
4"	102	2"	51	--	--

FINISH: CLEAR ANODIZED
PROJECT:
CUSTOMER:
LOCATION:

APPLICATION-  
WALL/WALL, CEILING/CEILING CONDITION  
STANDARD COVER PLATE

DATE:	4-22-19
SCALE:	1:2
DOC:	CADJM.210/R1