

801-A09-025

JOINT WIDTH		MOVEMENT ±			
		HORIZONTAL		VERTICAL	
US	mm	US	mm	US	mm
1"	25	1/2"	13	--	--

FINISH: CLEAR ANODIZED

PROJECT:

CUSTOMER:

LOCATION:

APPLICATION-
WALL/CORNER, WALL/CEILING CONDITION
STANDARD COVER PLATE

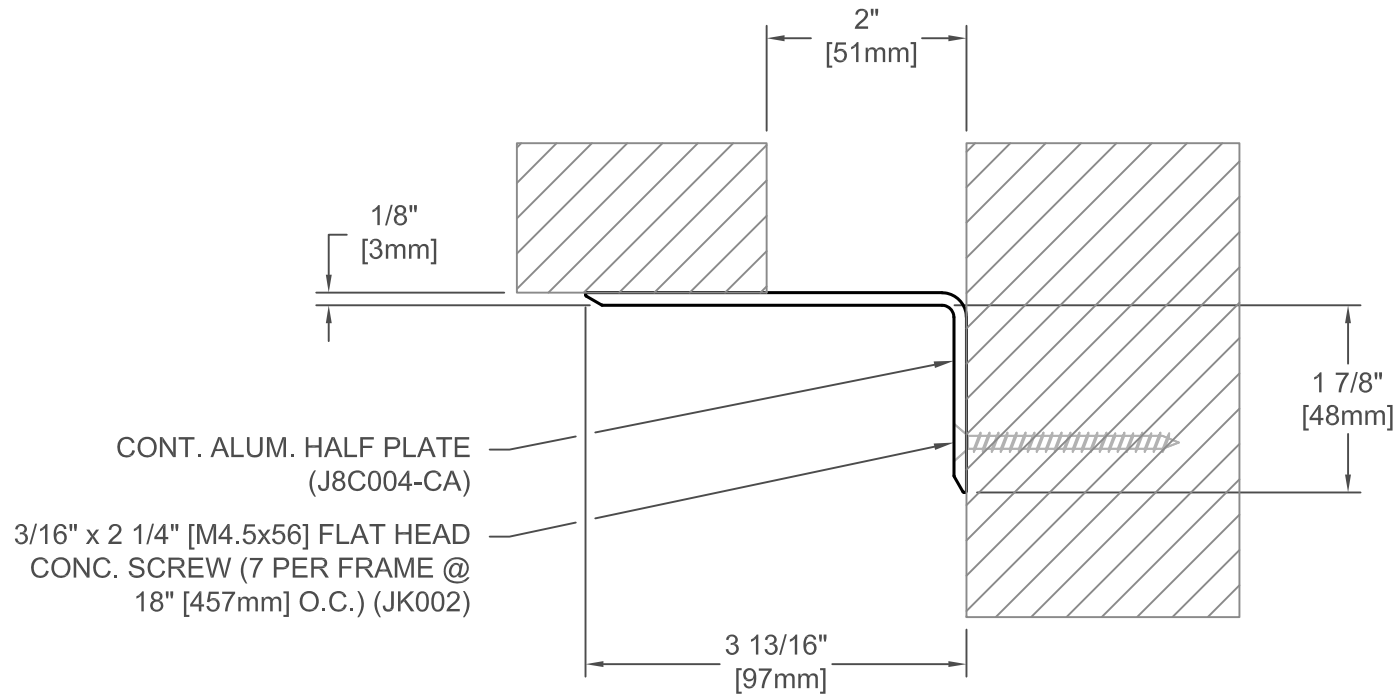
DATE: 4-22-19

SCALE: 1:2

DOC: CADJM.211/R1

inpro.[®]

For More Information Visit: Inprocorp.com



801-A09-050

JOINT WIDTH		MOVEMENT ±			
		HORIZONTAL		VERTICAL	
US	mm	US	mm	US	mm
2"	51	1"	25	--	--

FINISH: CLEAR ANODIZED

PROJECT:

CUSTOMER:

LOCATION:

APPLICATION-
WALL/CORNER, WALL/CEILING CONDITION
STANDARD COVER PLATE

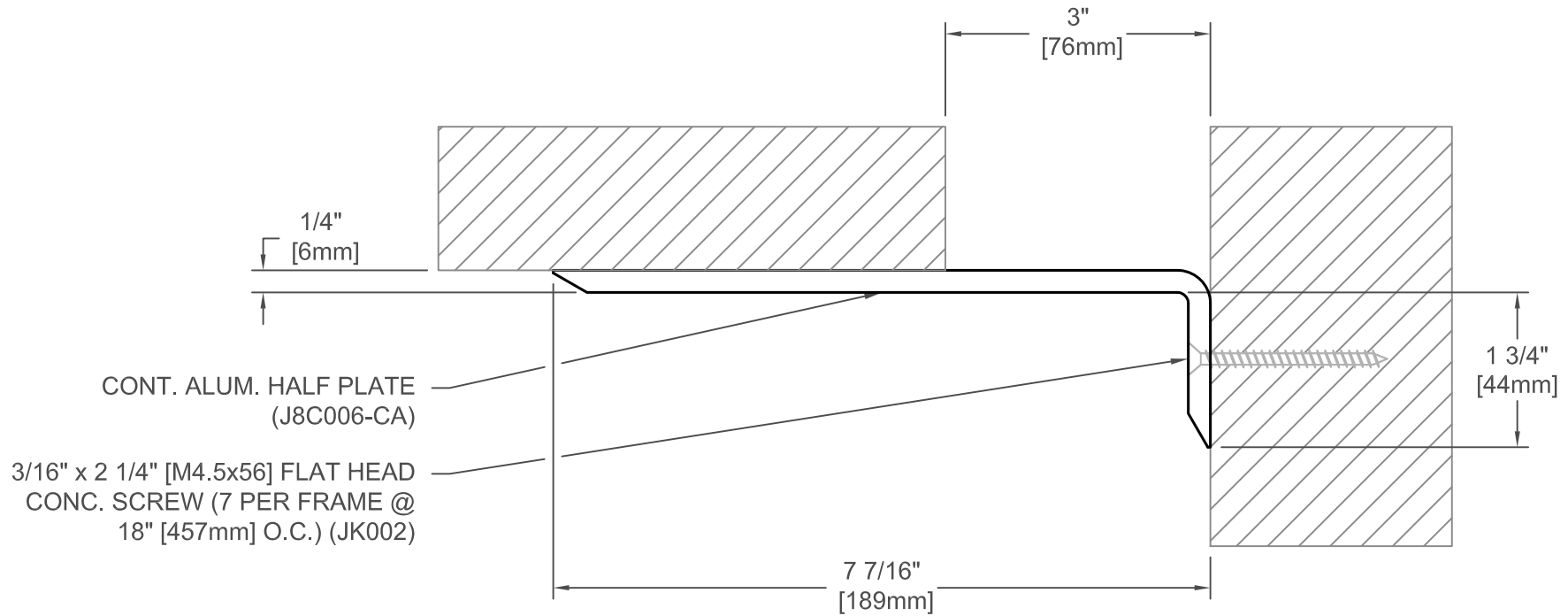
DATE: 4-22-19

SCALE: 1:2

DOC: CADJM.211/R1

inpro.[®]

For More Information Visit: Inprocorp.com



801-A09-075

JOINT WIDTH		MOVEMENT ±			
		HORIZONTAL		VERTICAL	
US	mm	US	mm	US	mm
3"	76	1-1/2"	38	--	--

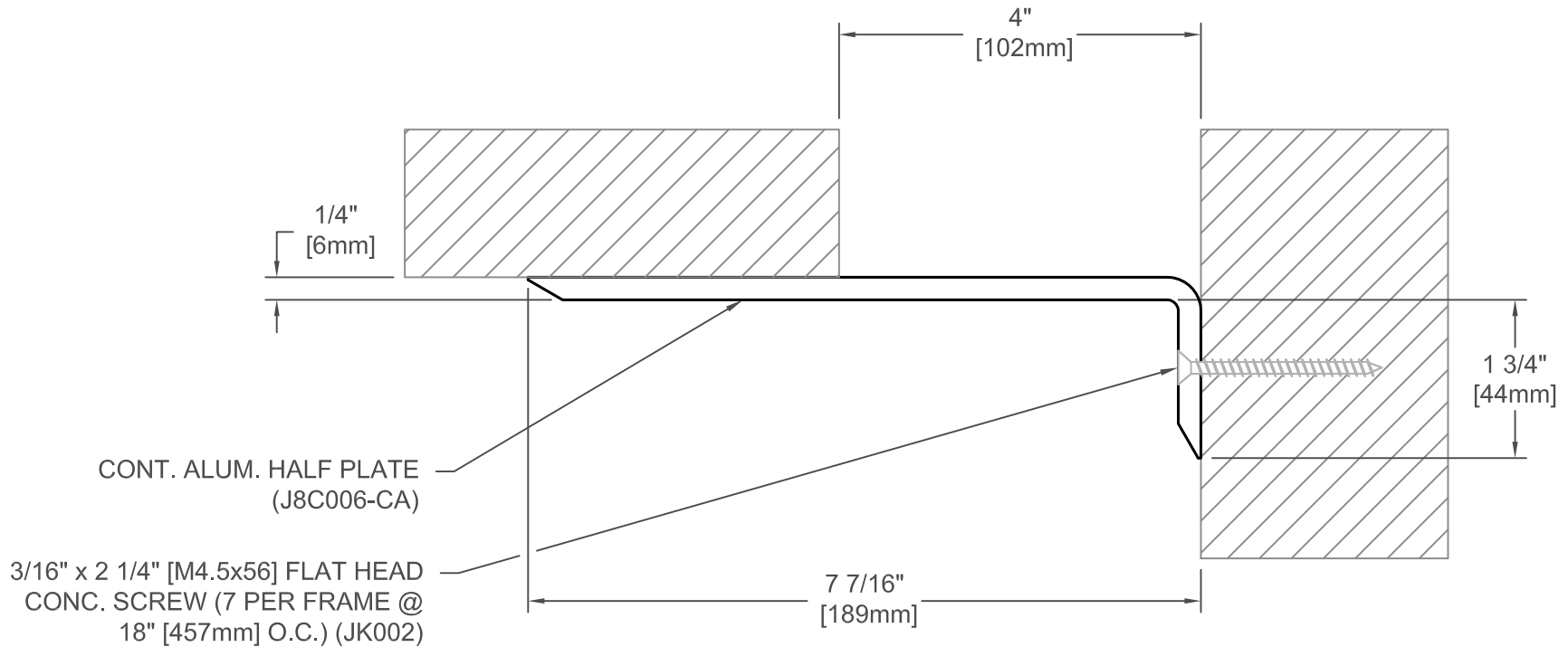
FINISH: CLEAR ANODIZED
PROJECT:
CUSTOMER:
LOCATION:

APPLICATION-
WALL/CORNER, WALL/CEILING CONDITION
STANDARD COVER PLATE

DATE:	4-22-19
SCALE:	1:2
DOC:	CADJM.211/R1



For More Information Visit: Inprocorp.com



801-A09-100

JOINT WIDTH		MOVEMENT ±			
		HORIZONTAL		VERTICAL	
US	mm	US	mm	US	mm
4"	102	2"	51	--	--

FINISH: CLEAR ANODIZED

PROJECT:

CUSTOMER:

LOCATION:

APPLICATION-
WALL/CORNER, WALL/CEILING CONDITION
STANDARD COVER PLATE

DATE: 4-22-19

SCALE: 1:2

DOC: CADJM.211/R1

inpro.[®]

For More Information Visit: Inprocorp.com