

804-A01-025

JOINT WIDTH		MOVEMENT ±			
		HORIZONTAL		VERTICAL	
US	mm	US	mm	US	mm
1"	25	1/2"	13	1/8"	3

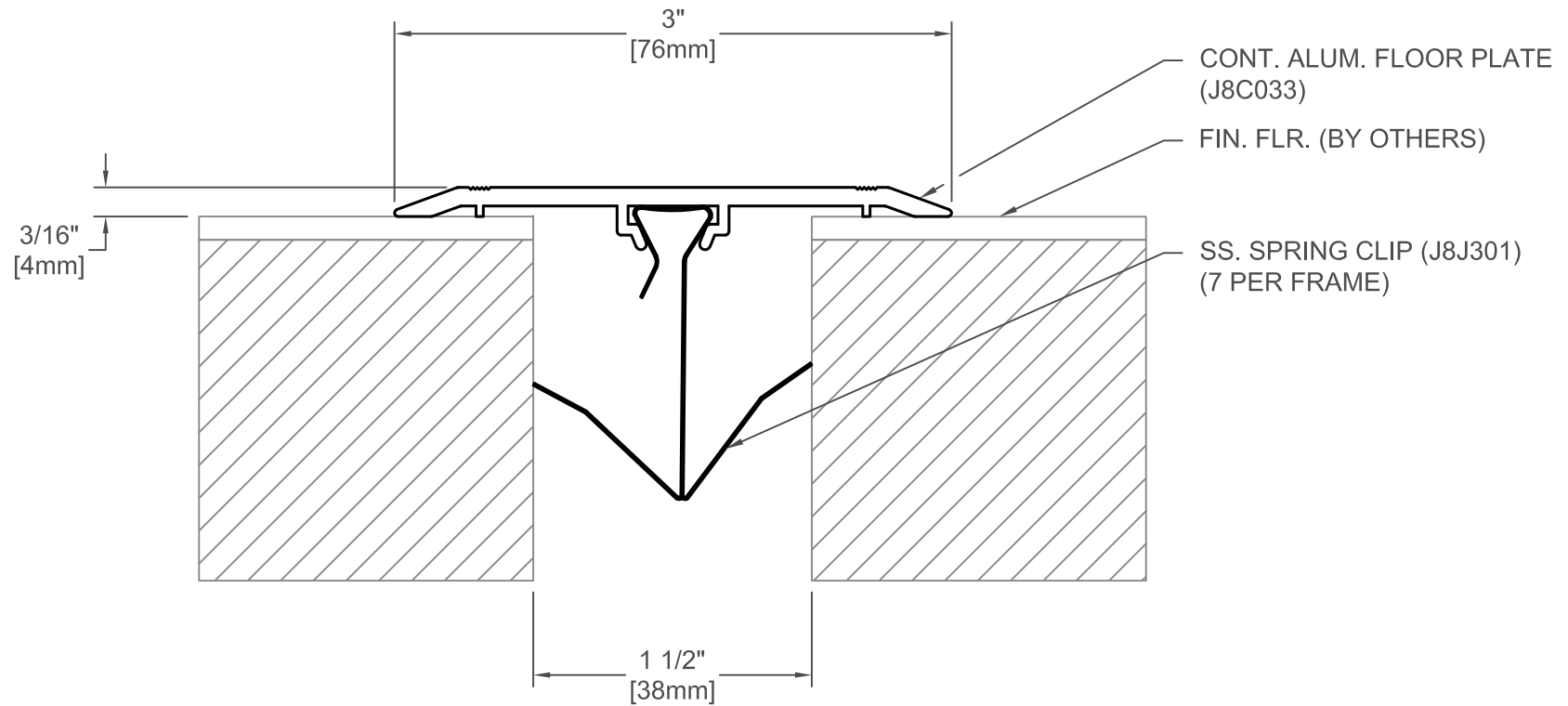
FINISH: MILL
PROJECT:
CUSTOMER:
LOCATION:

APPLICATION-
FLOOR/FLOOR COVER PLATE CONDITION

DATE:	9-30-05
SCALE:	1:1
DOC:	CADJM.047/R3



For More Information Visit: Inprocorp.com



804-A01-038

JOINT WIDTH		MOVEMENT ±			
		HORIZONTAL		VERTICAL	
US	mm	US	mm	US	mm
1 1/2"	38	3/4"	19	1/8"	3

FINISH: MILL

PROJECT:

CUSTOMER:

LOCATION:

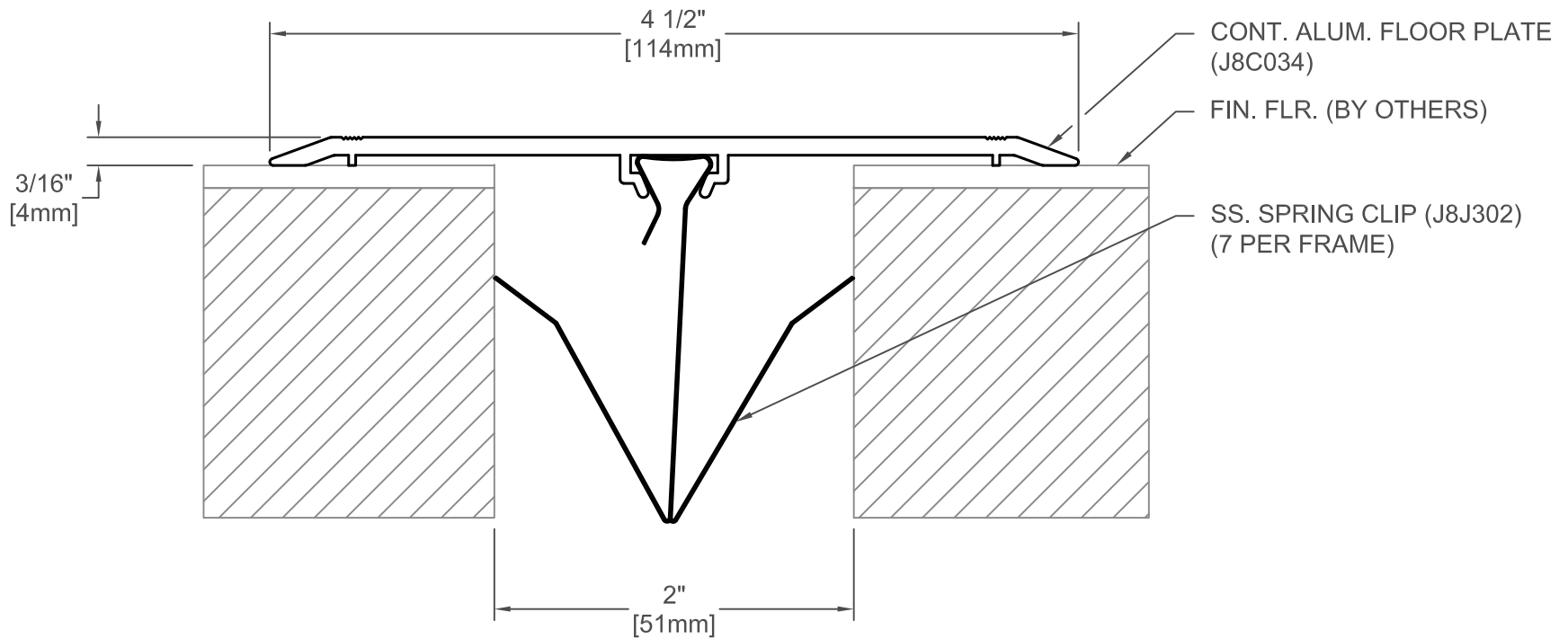
APPLICATION-
FLOOR/FLOOR COVER PLATE CONDITION

DATE: 9-30-05

SCALE: 1:1

DOC: CADJM.047/R3

inpro.
For More Information Visit: Inprocorp.com



804-A01-050

JOINT WIDTH		MOVEMENT ±			
		HORIZONTAL		VERTICAL	
US	mm	US	mm	US	mm
2"	51	1"	25	1/8"	3

FINISH: MILL
PROJECT:
CUSTOMER:
LOCATION:

APPLICATION-
FLOOR/FLOOR COVER PLATE CONDITION

DATE:	9-30-05
SCALE:	1:1
DOC:	CADJM.047/R3



For More Information Visit: Inprocorp.com