

## 806-A01-050

JOINT WIDTH		MOVEMENT ±			
		HORIZONTAL		VERTICAL	
US	mm	US	mm	US	mm
2"	51	1"	25	+1/4"/-1"	+10/-51

FINISH: MILL

PROJECT:

CUSTOMER:

LOCATION:

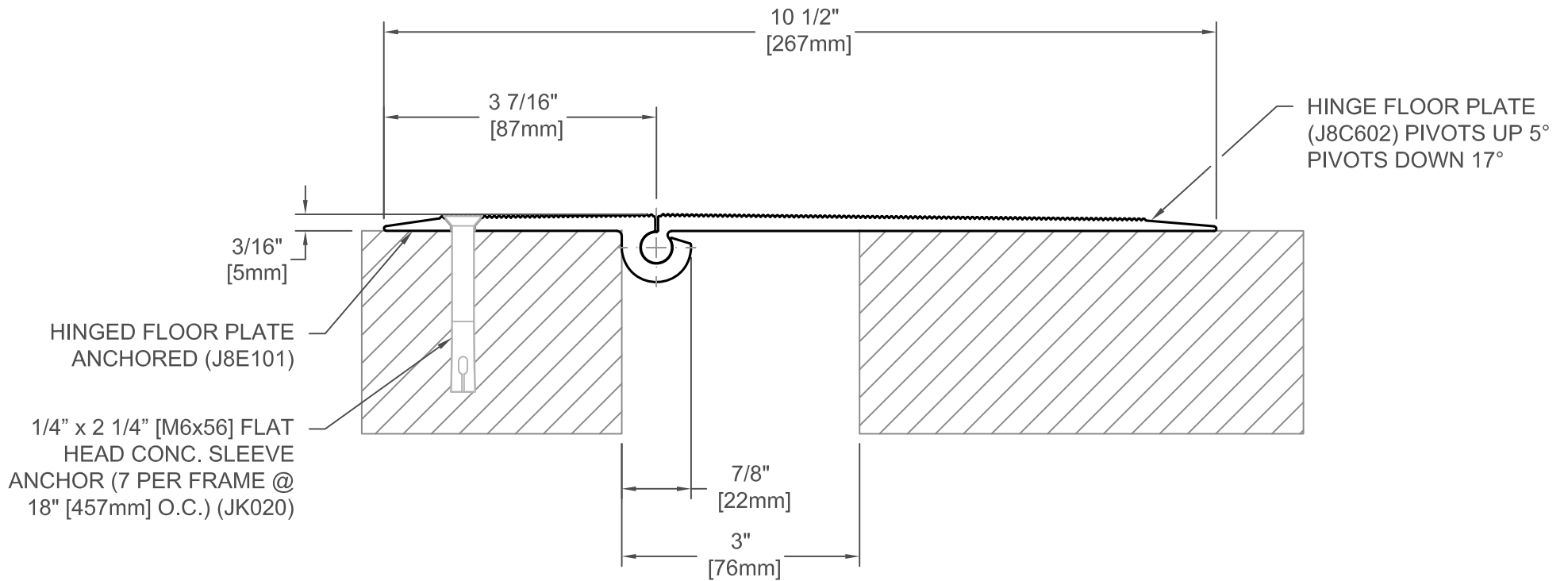
APPLICATION-  
FLOOR/WALL CONDITION  
STANDARD COVER PLATE

DATE: 4-30-08

SCALE: 1:2

DOC: CADJM.127/R3

**inpro.**  
For More Information Visit: [Inprocorp.com](http://Inprocorp.com)



## 806-A01-075

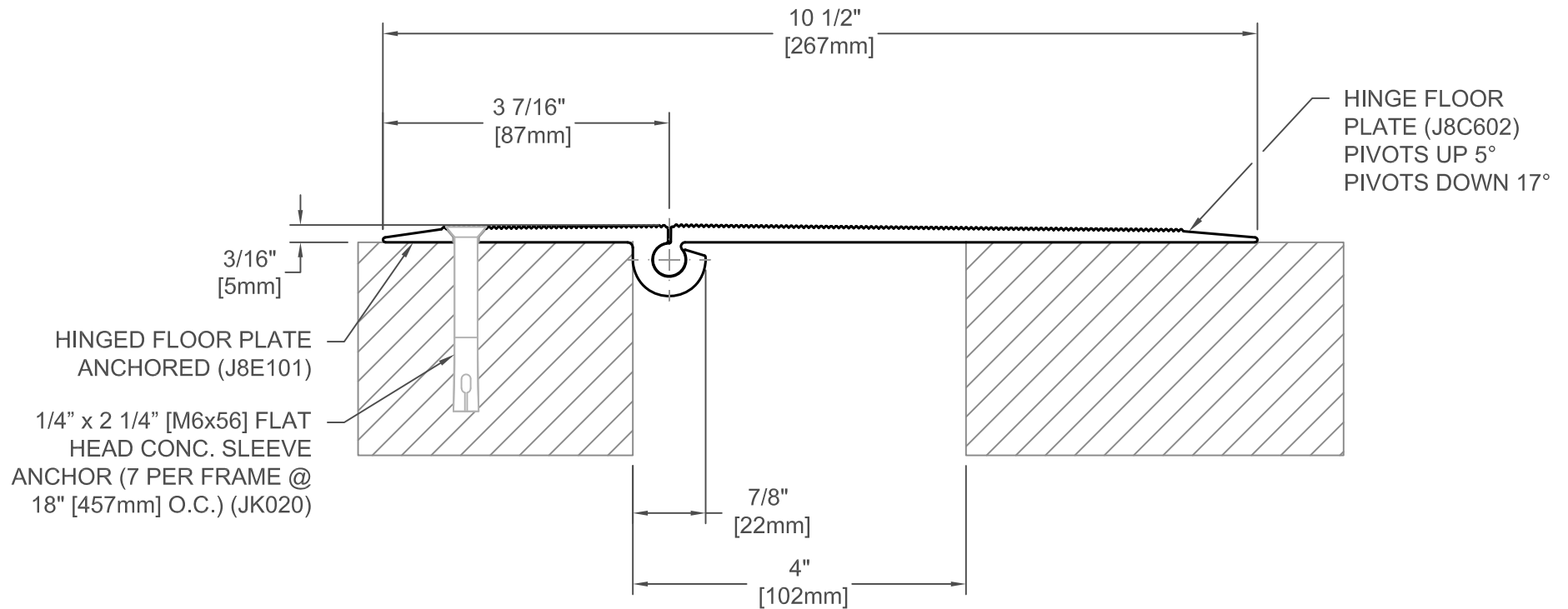
JOINT WIDTH		MOVEMENT ±			
		HORIZONTAL		VERTICAL	
US	mm	US	mm	US	mm
3"	76	2"	51	+11/16"/-2 1/16"	+17/-52

FINISH: MILL
PROJECT:
CUSTOMER:
LOCATION:

APPLICATION-  
FLOOR/WALL CONDITION  
STANDARD COVER PLATE

DATE:	4-30-08
SCALE:	1:2
DOC:	CADJM.127/R3

**inpro.**  
For More Information Visit: [Inprocorp.com](http://Inprocorp.com)



## 806-A01-100

JOINT WIDTH		MOVEMENT ±			
		HORIZONTAL		VERTICAL	
US	mm	US	mm	US	mm
4"	102	2"	51	+5/8"/-2"	+10/-51

FINISH: MILL

PROJECT:

CUSTOMER:

LOCATION:

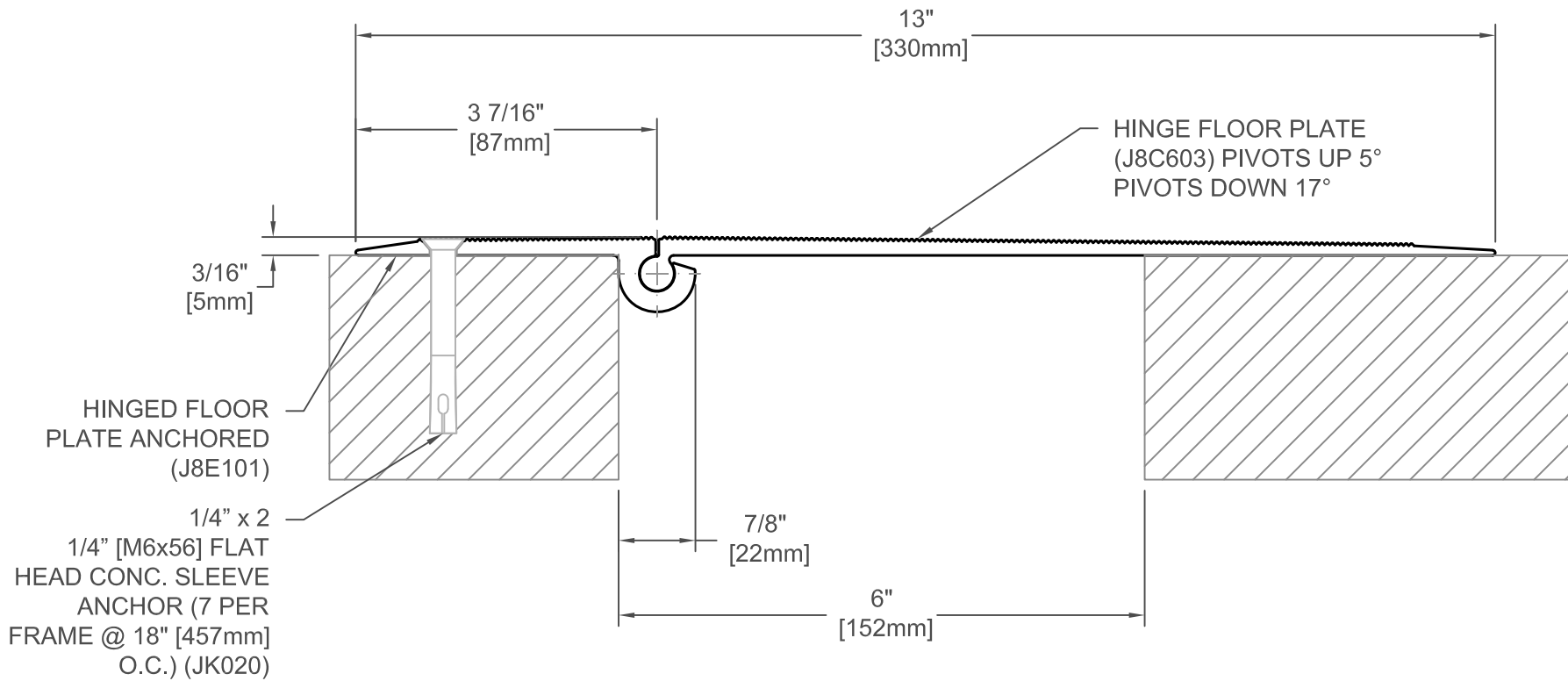
APPLICATION-  
FLOOR/WALL CONDITION  
STANDARD COVER PLATE

DATE: 4-30-08

SCALE: 1:2

DOC: CADJM.127/R3

**inpro.**  
For More Information Visit: [Inprocorp.com](http://Inprocorp.com)



## 806-A01-150

JOINT WIDTH		MOVEMENT ±			
		HORIZONTAL		VERTICAL	
US	mm	US	mm	US	mm
6"	152	3"	75	+7/8"/-2 3/4"	+13/-71

FINISH: MILL

PROJECT:

CUSTOMER:

LOCATION:

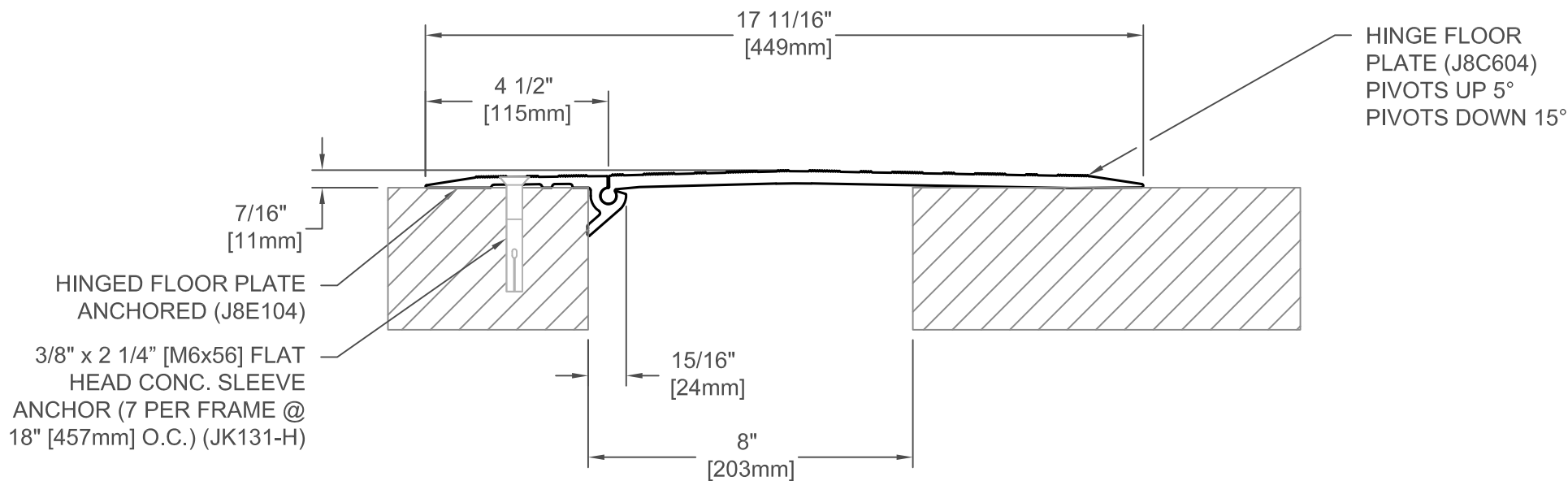
APPLICATION-  
FLOOR/WALL CONDITION  
STANDARD COVER PLATE

DATE: 4-30-08

SCALE: 1:2

DOC: CADJM.127/R3

**inpro.**  
For More Information Visit: [Inprocorp.com](http://Inprocorp.com)



## 806-A01-200

JOINT WIDTH		MOVEMENT ±			
		HORIZONTAL		VERTICAL	
US	mm	US	mm	US	mm
8"	203	4"	102	+1"/-2 1/2"	+25/-64

FINISH: MILL

PROJECT:

CUSTOMER:

LOCATION:

APPLICATION-  
FLOOR/WALL CONDITION  
STANDARD COVER PLATE

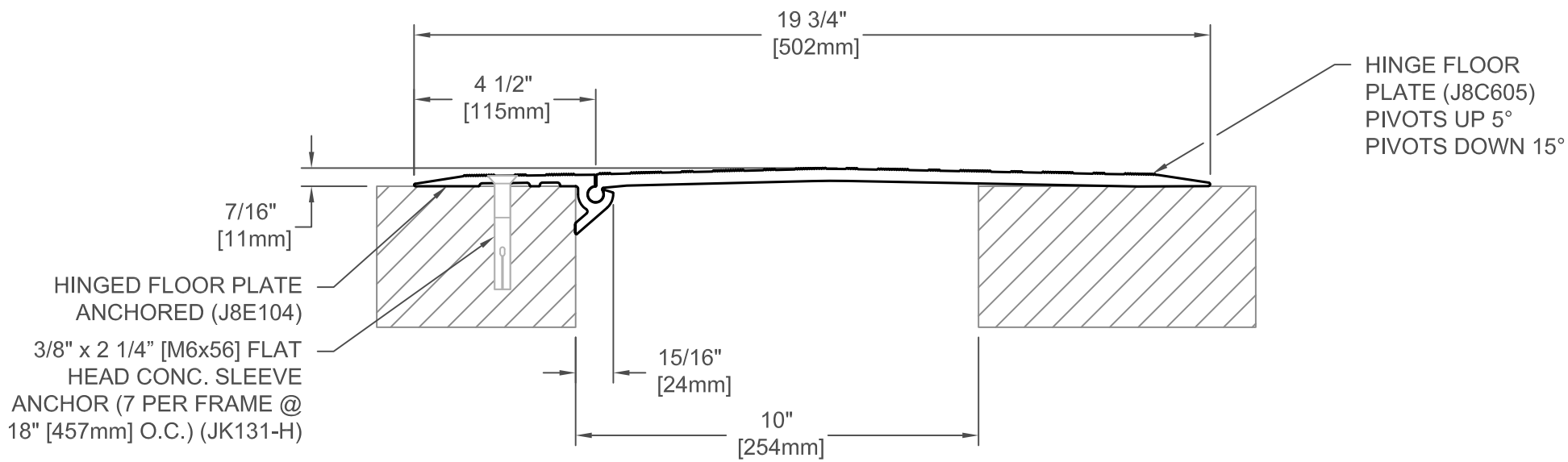
DATE: 4-30-08

SCALE: 1:4

DOC: CADJM.127/R3

**inpro.**<sup>®</sup>

For More Information Visit: [Inprocorp.com](http://Inprocorp.com)



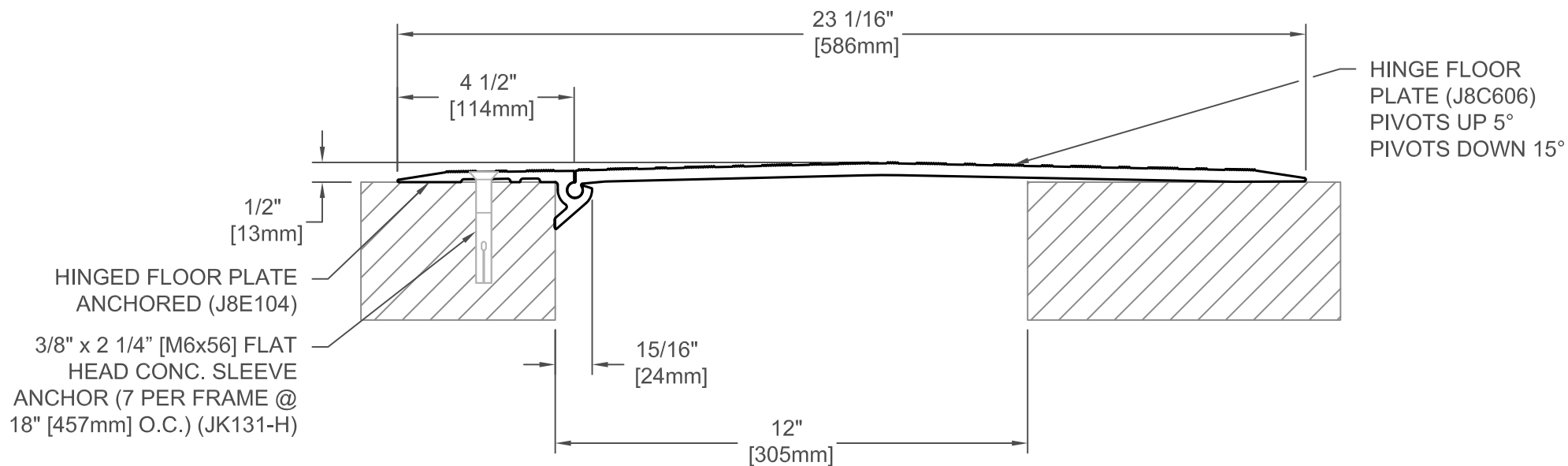
### 806-A01-250

JOINT WIDTH		MOVEMENT ±			
		HORIZONTAL		VERTICAL	
US	mm	US	mm	US	mm
10"	254	5"	127	+1 3/8"/-3"	+35/-76

FINISH: MILL
PROJECT:
CUSTOMER:
LOCATION:

APPLICATION- FLOOR/WALL CONDITION STANDARD COVER PLATE
--

DATE:	4-30-08
SCALE:	1:4
DOC:	CADJM.127/R3



## 806-A01-300

JOINT WIDTH		MOVEMENT $\pm$			
		HORIZONTAL		VERTICAL	
US	mm	US	mm	US	mm
12"	305	6"	152	+1 5/8"/-3 1/2"	+41/-90

FINISH: MILL

PROJECT:

CUSTOMER:

LOCATION:

APPLICATION-  
FLOOR/WALL CONDITION  
STANDARD COVER PLATE

DATE: 4-30-08

SCALE: 1:4

DOC: CADJM.127/R3

**inpro.**

For More Information Visit: [Inprocorp.com](http://Inprocorp.com)