

806-A02-050

JOINT WIDTH		MOVEMENT ±			
US	mm	HORIZONTAL		VERTICAL	
US	mm	US	mm	US	mm
2"	51	1"	25	+1/4"/-1"	+6/-25

FINISH: MILL

PROJECT:

CUSTOMER:

LOCATION:

APPLICATION-
INTERIOR FLOOR/FLOOR CONDITION
STANDARD COVER PLATE

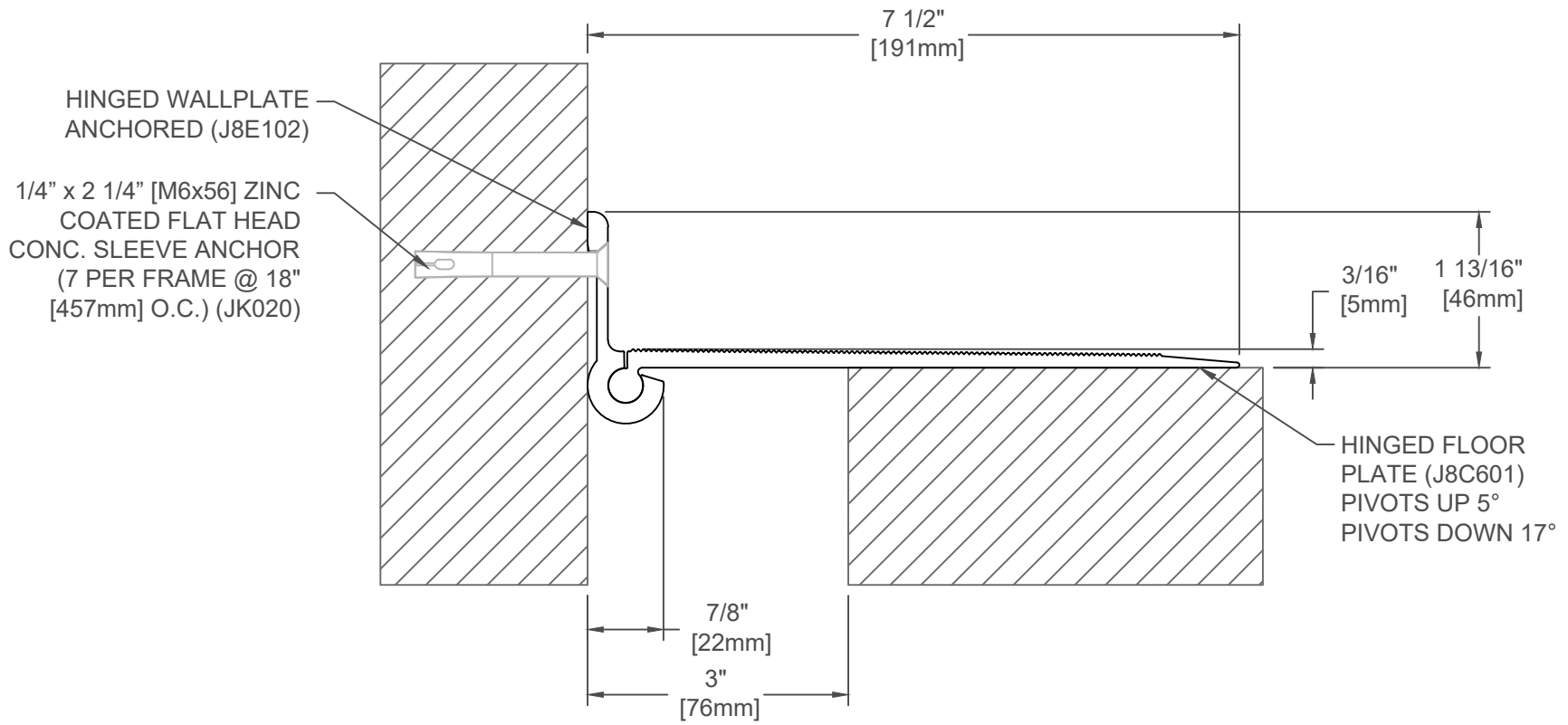
DATE: 4-30-08

SCALE: 1:2

DOC: CADJM.128/R5

inpro.

For More Information Visit: Inprocorp.com



HINGED WALLPLATE ANCHORED (J8E102)

1/4" x 2 1/4" [M6x56] ZINC COATED FLAT HEAD CONC. SLEEVE ANCHOR (7 PER FRAME @ 18" [457mm] O.C.) (JK020)

HINGED FLOOR PLATE (J8C601) PIVOTS UP 5° PIVOTS DOWN 17°

806-A02-075

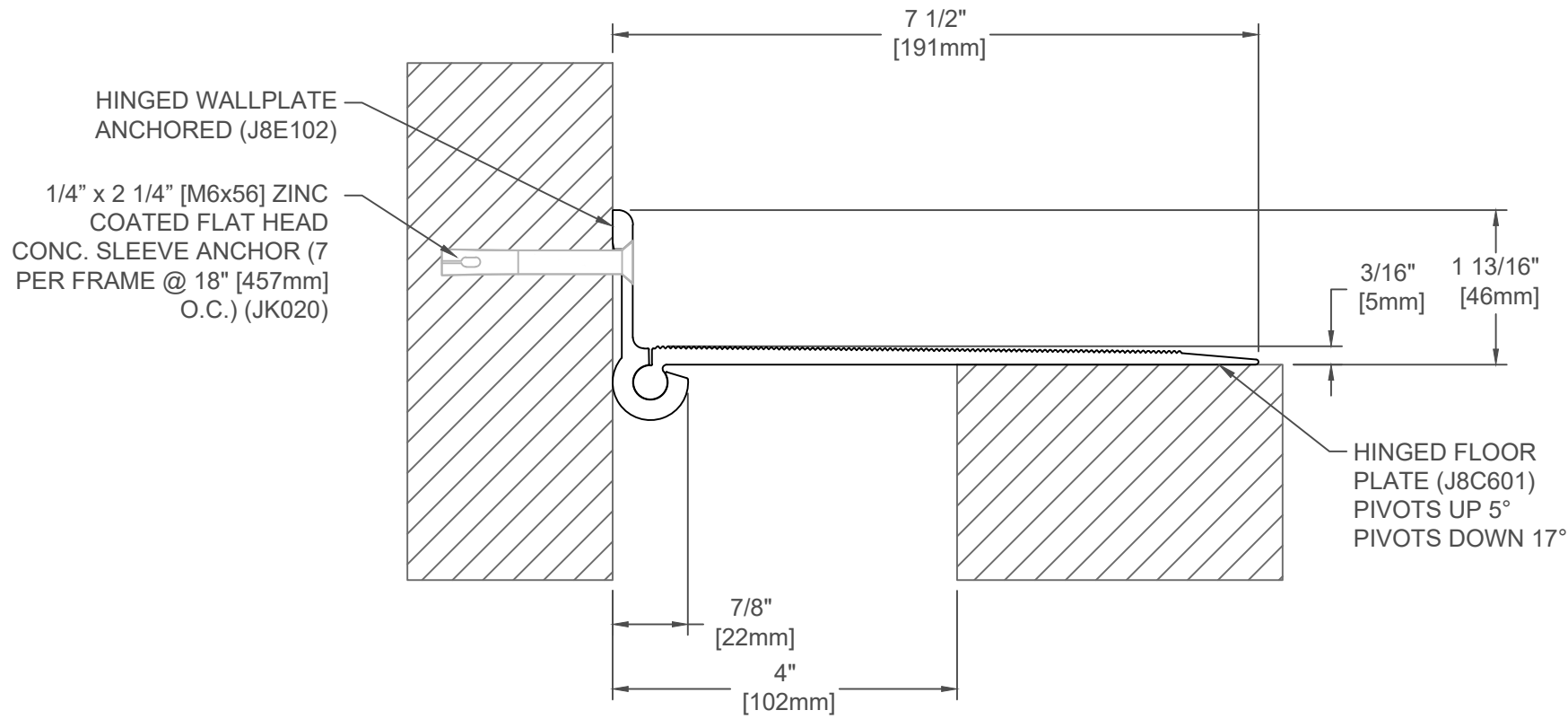
JOINT WIDTH		MOVEMENT ±			
US	mm	HORIZONTAL		VERTICAL	
US	mm	US	mm	US	mm
3"	76	2"	50	+11/16" / -2 1/16"	+17 / -52

FINISH: MILL
PROJECT:
CUSTOMER:
LOCATION:

APPLICATION-
INTERIOR FLOOR/FLOOR CONDITION
STANDARD COVER PLATE

DATE:	4-30-08
SCALE:	1:2
DOC:	CADJM.128/R5





806-A02-100

JOINT WIDTH		MOVEMENT ±			
US	mm	HORIZONTAL		VERTICAL	
US	mm	US	mm	US	mm
4"	102	2"	51	+5/8"/-2"	+10/-51

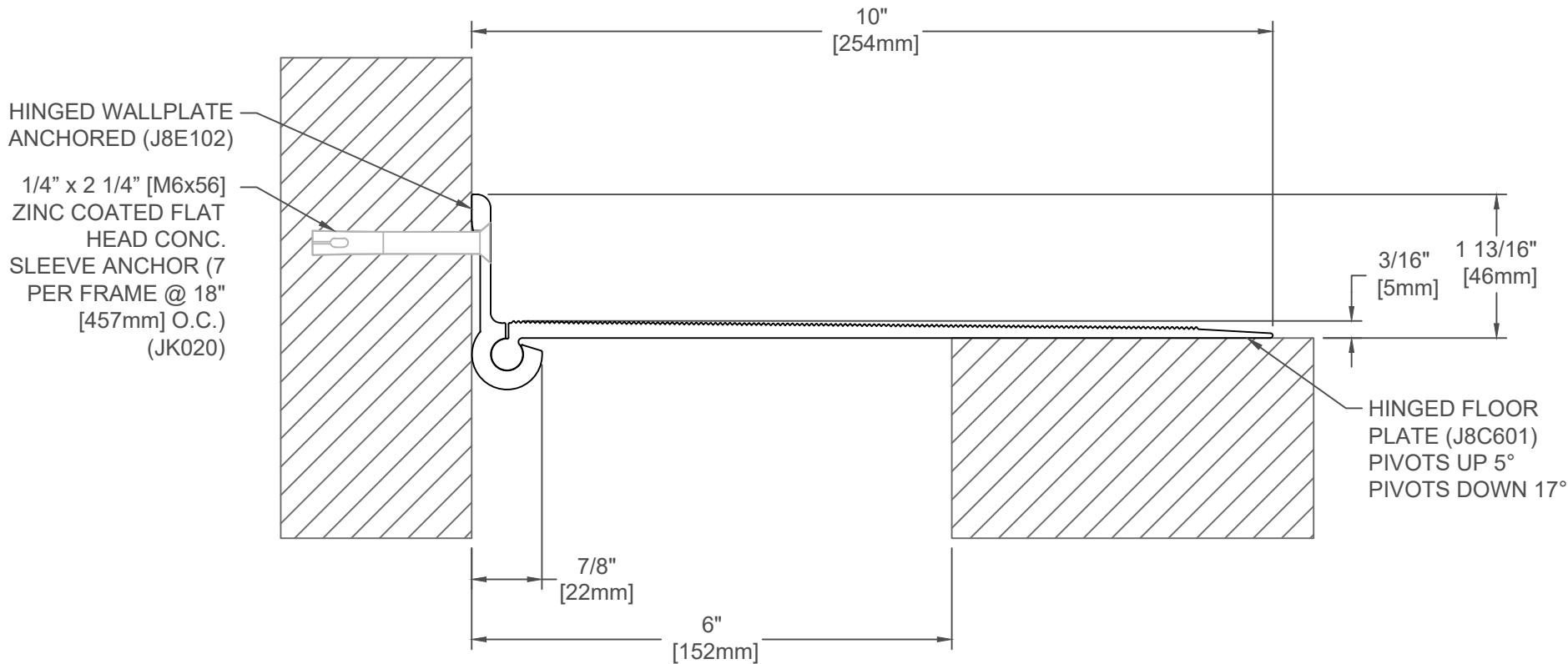
FINISH: MILL
PROJECT:
CUSTOMER:
LOCATION:

APPLICATION-
INTERIOR FLOOR/FLOOR CONDITION
STANDARD COVER PLATE

DATE:	4-30-08
SCALE:	1:2
DOC:	CADJM.128/R5



For More Information Visit: Inprocorp.com



806-A02-150

JOINT WIDTH		MOVEMENT ±			
US	mm	HORIZONTAL		VERTICAL	
US	mm	US	mm	US	mm
6"	152	3"	76	+7/8"/-2 3/4"	+13/-71

FINISH: MILL

PROJECT:

CUSTOMER:

LOCATION:

APPLICATION-
INTERIOR FLOOR/FLOOR CONDITION
STANDARD COVER PLATE

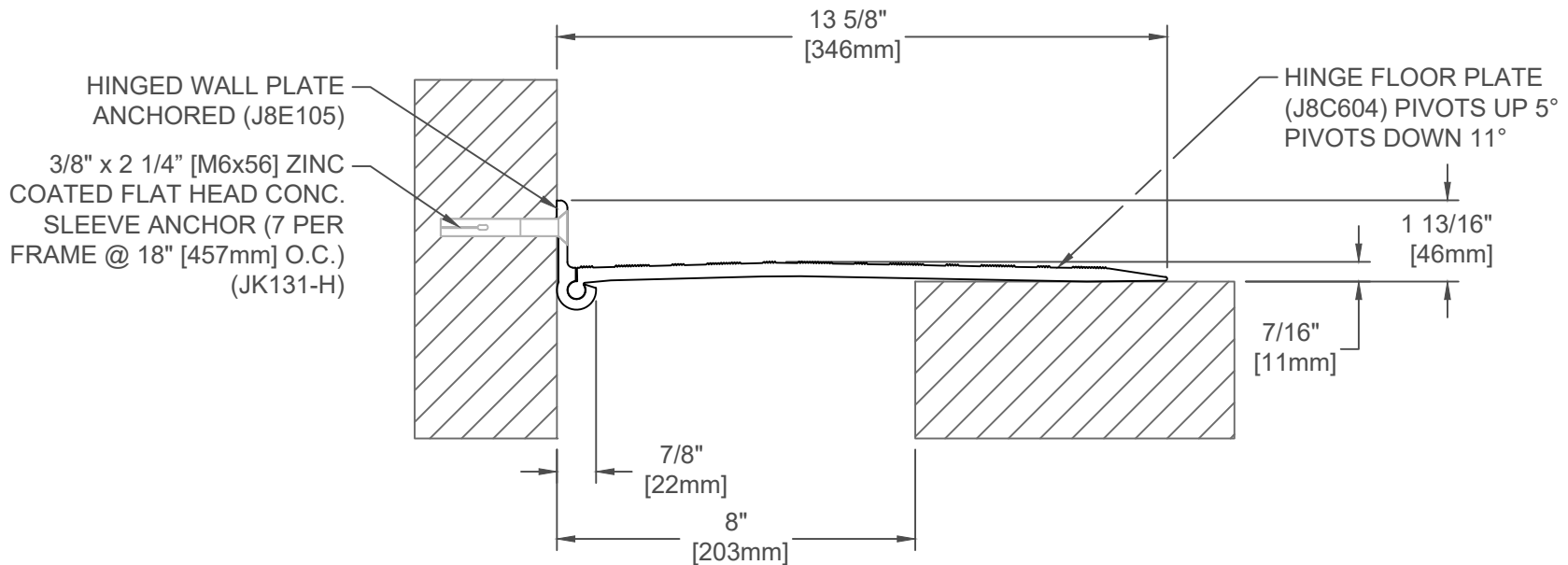
DATE: 4-30-08

SCALE: 1:2

DOC: CADJM.128/R5

inpro.

For More Information Visit: Inprocorp.com



806-A02-200

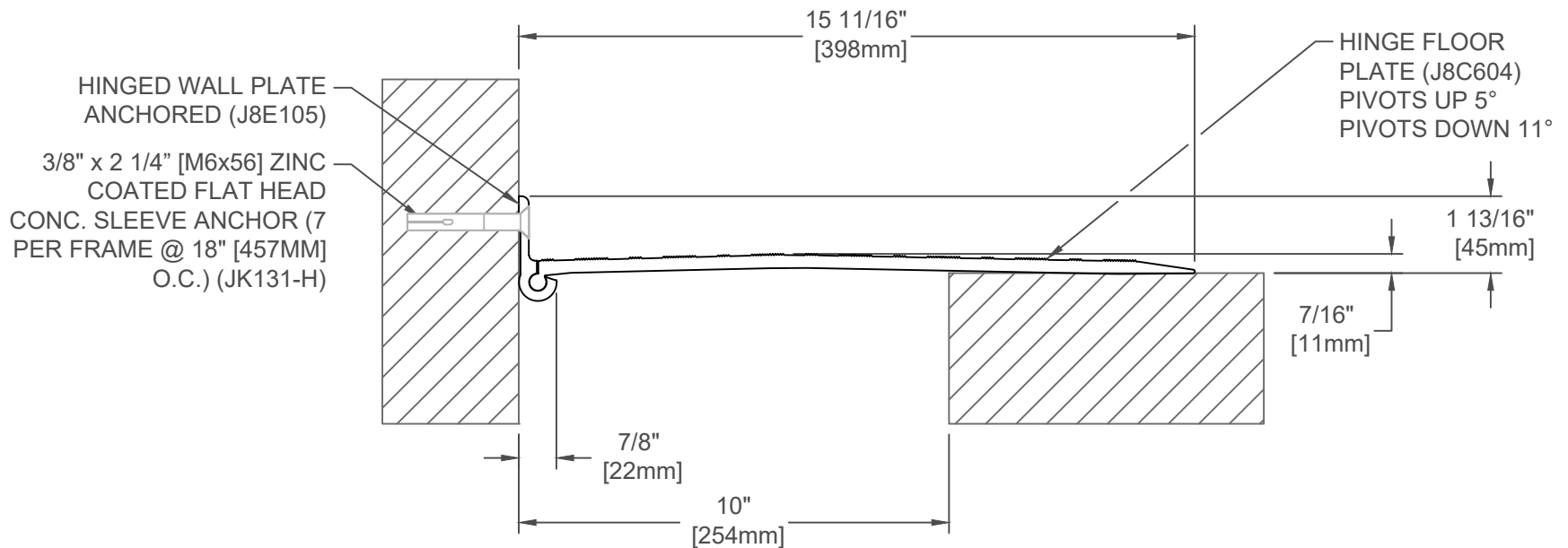
JOINT WIDTH		MOVEMENT ±			
US	mm	HORIZONTAL		VERTICAL	
US	mm	US	mm	US	mm
8"	203	4"	102	+1"/-2 1/2"	+25/-64

FINISH: MILL
PROJECT:
CUSTOMER:
LOCATION:

APPLICATION-
INTERIOR FLOOR/FLOOR CONDITION
STANDARD COVER PLATE

DATE:	4-30-08
SCALE:	1:4
DOC:	CADJM.128/R5

inpro.
For More Information Visit: Inprocorp.com



806-A02-250

JOINT WIDTH		MOVEMENT ±			
US	mm	HORIZONTAL		VERTICAL	
US	mm	US	mm	US	mm
10"	254	5"	127	+1 3/8"/-3"	+35/-76

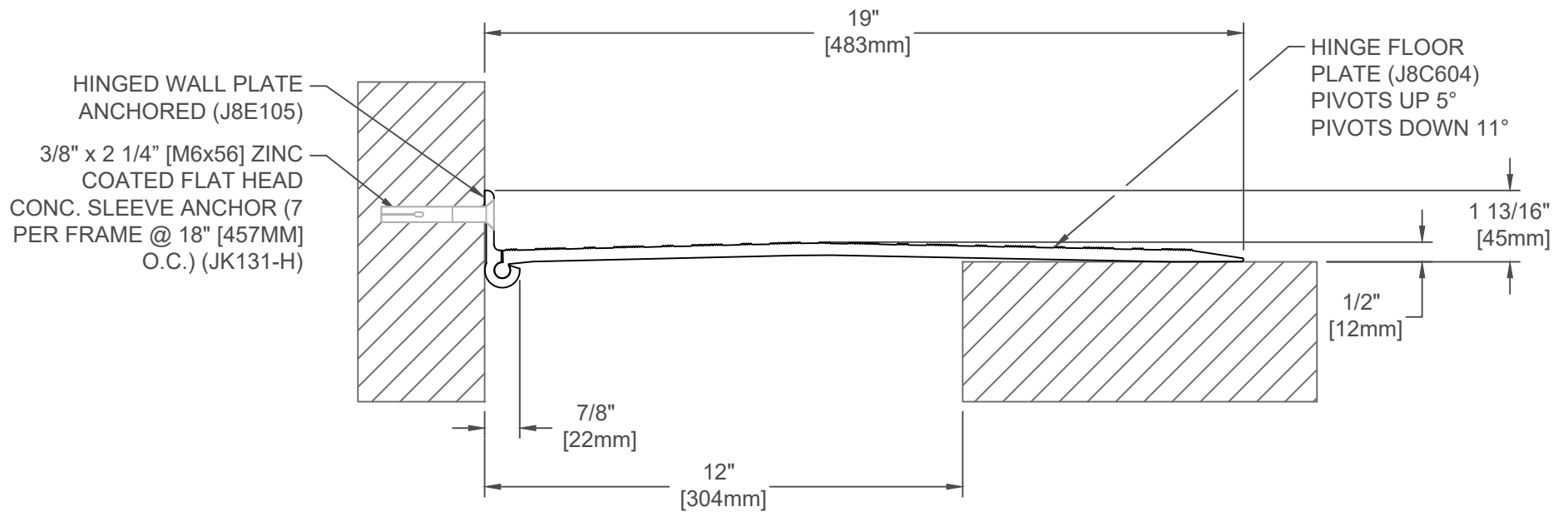
FINISH: MILL
PROJECT:
CUSTOMER:
LOCATION:

APPLICATION-
INTERIOR FLOOR/FLOOR CONDITION
STANDARD COVER PLATE

DATE:	4-30-08
SCALE:	1:4
DOC:	CADJM.128/R5



For More Information Visit: Inprocorp.com



806-A02-300

JOINT WIDTH		MOVEMENT ±			
US	mm	HORIZONTAL		VERTICAL	
US	mm	US	mm	US	mm
12"	305	6"	152	+1 5/8"/-3 1/2"	+41/-90

FINISH: MILL
PROJECT:
CUSTOMER:
LOCATION:

APPLICATION-
INTERIOR FLOOR/FLOOR CONDITION
STANDARD COVER PLATE

DATE:	4-30-08
SCALE:	1:4
DOC:	CADJM.128/R5



For More Information Visit: Inprocorp.com