

806SD-A02-050

JOINT WIDTH		MOVEMENT ±			
		HORIZONTAL		VERTICAL	
US	mm	US	mm	US	mm
2"	51	1"	25	+1/4" /-1"	+6 /-25

FINISH: MILL

PROJECT:

CUSTOMER:

LOCATION:

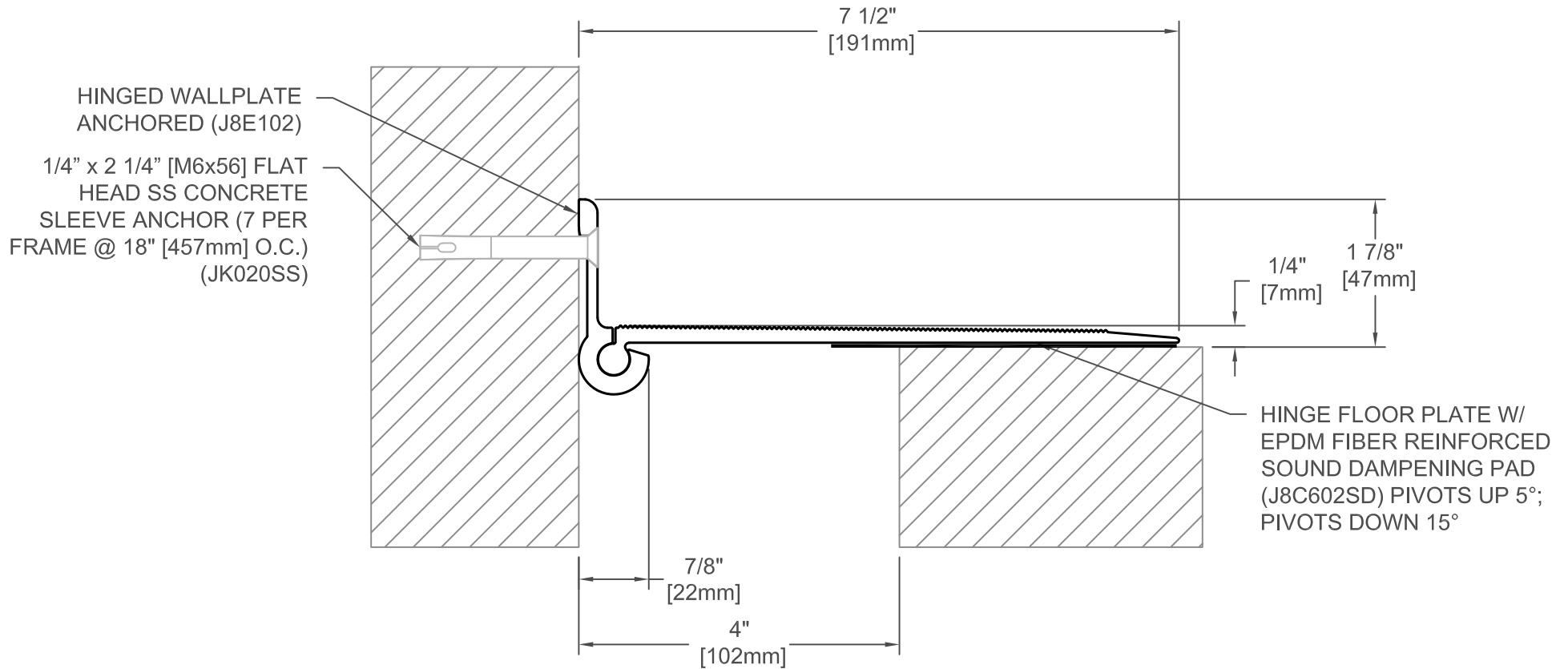
APPLICATION-
FLOOR/WALL HINGED METAL COVER PLATE
W/APPLIED SOUND DAMPENING

DATE: 10-31-13

SCALE: 1:2

DOC: CADJM.130/R5

inpro.
For More Information Visit: Inprocorp.com



806SD-A02-100

JOINT WIDTH		MOVEMENT ±			
		HORIZONTAL		VERTICAL	
US	mm	US	mm	US	mm
4"	102	2"	50	+5/8" /-2"	+10 /-51

FINISH: MILL

PROJECT:

CUSTOMER:

LOCATION:

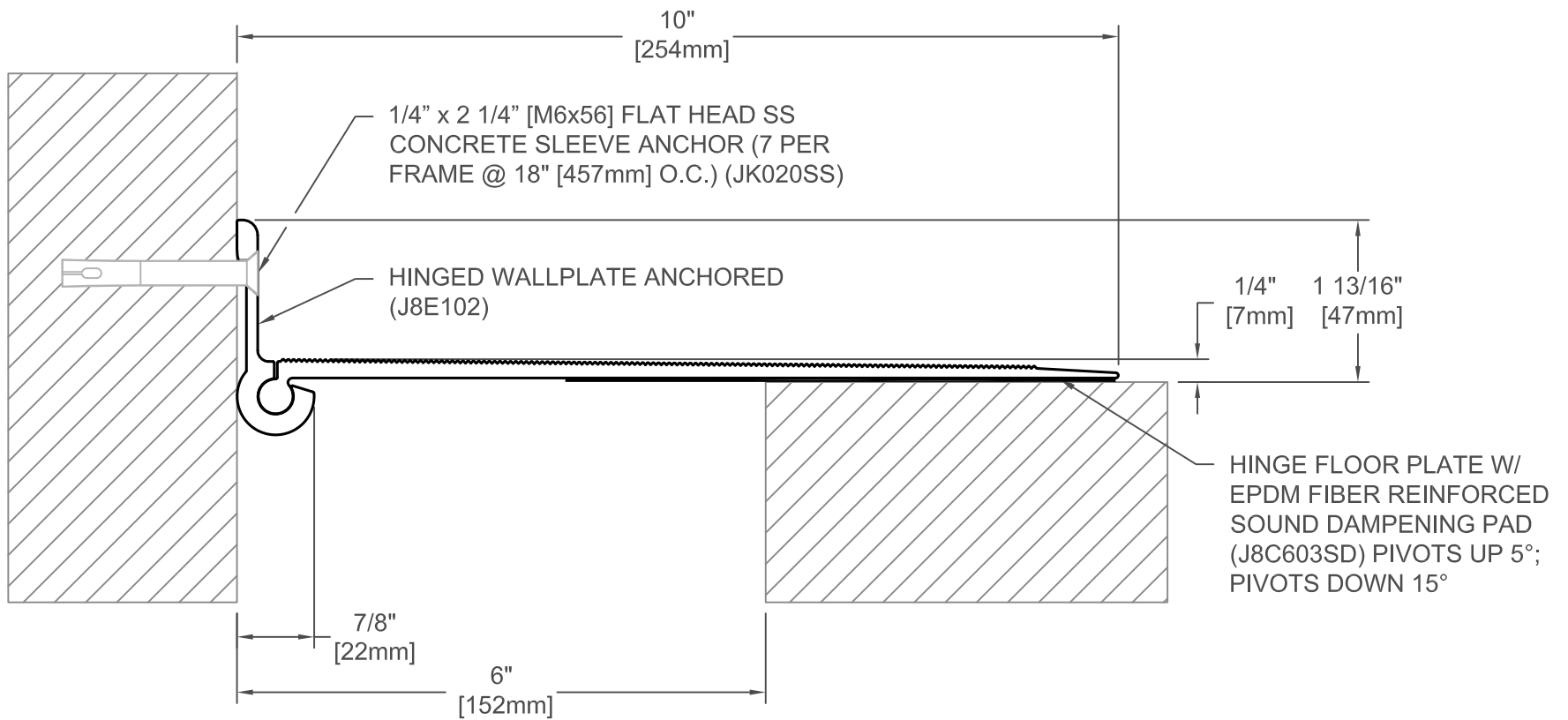
APPLICATION-
FLOOR/WALL HINGED METAL COVER PLATE
W/APPLIED SOUND DAMPENING

DATE: 10-31-13

SCALE: 1:2

DOC: CADJM.130/R5

inpro.
For More Information Visit: Inprocorp.com



806SD-A02-150

JOINT WIDTH		MOVEMENT ±			
		HORIZONTAL		VERTICAL	
US	mm	US	mm	US	mm
6"	152	3"	76	+7/8" /-2 3/4"	+13 /-71

FINISH: MILL

PROJECT:

CUSTOMER:

LOCATION:

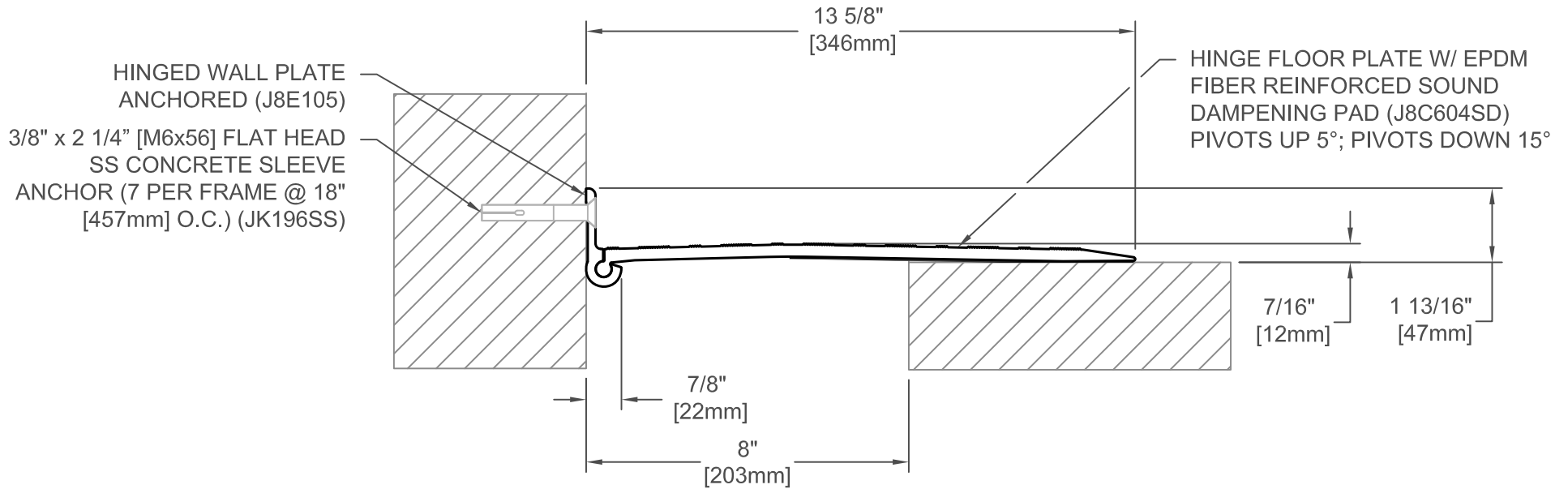
APPLICATION-
FLOOR/WALL HINGED METAL COVER PLATE
W/APPLIED SOUND DAMPENING

DATE: 10-31-13

SCALE: 1:2

DOC: CADJM.130/R5

inpro.
For More Information Visit: Inprocorp.com



806SD-A02-200

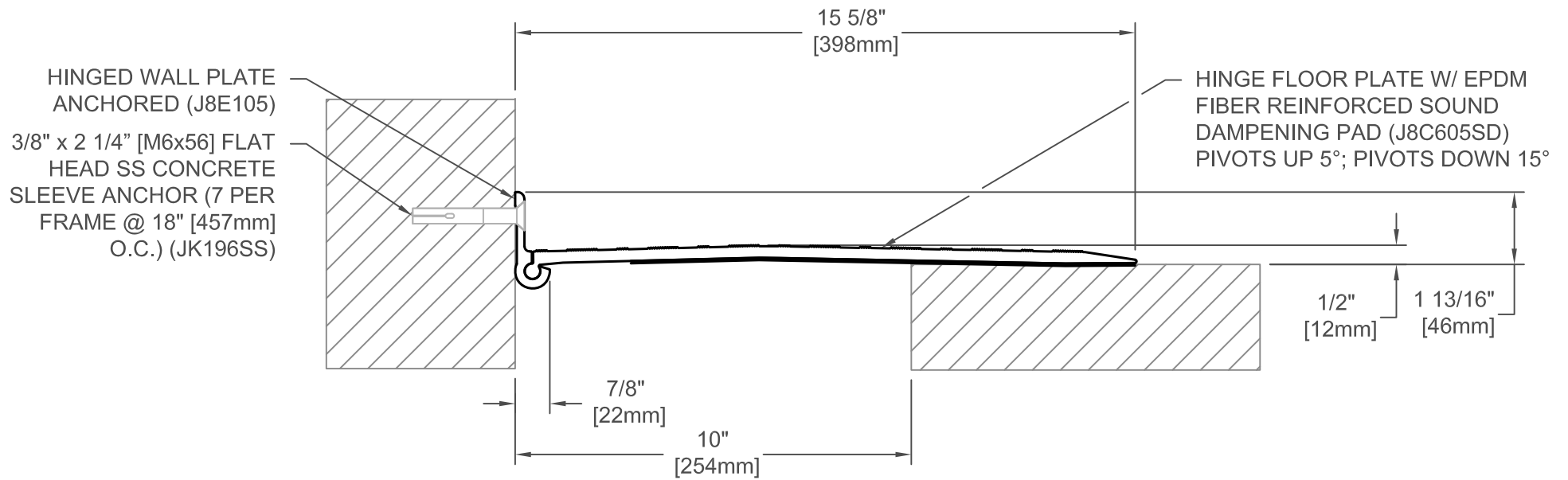
JOINT WIDTH		MOVEMENT ±			
		HORIZONTAL		VERTICAL	
US	mm	US	mm	US	mm
8"	203	4"	100	+1" /-2 1/2"	+25 /-64

FINISH: MILL
PROJECT:
CUSTOMER:
LOCATION:

APPLICATION-
FLOOR/WALL HINGED METAL COVER PLATE
W/APPLIED SOUND DAMPENING

DATE:	10-31-13
SCALE:	1:4
DOC:	CADJM.130/R5

inpro.
For More Information Visit: Inprocorp.com



806SD-A02-250

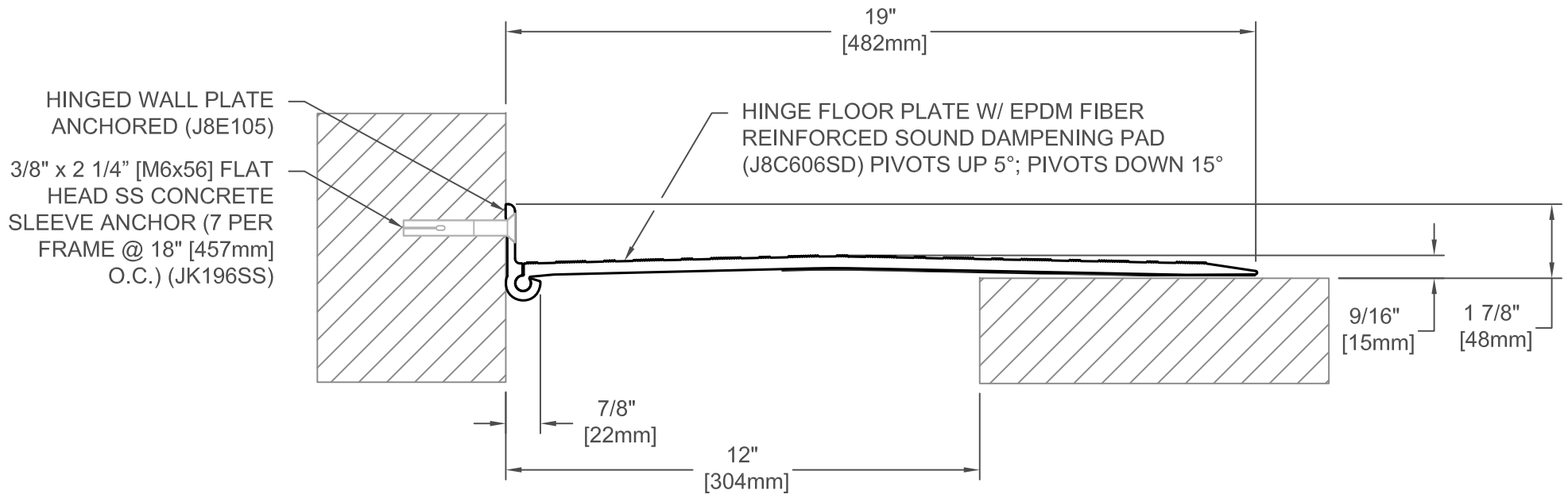
JOINT WIDTH		MOVEMENT ±			
		HORIZONTAL		VERTICAL	
US	mm	US	mm	US	mm
10"	254	5"	125	+1 3/8" /-3"	+35 /-76

FINISH: MILL
PROJECT:
CUSTOMER:
LOCATION:

APPLICATION-
FLOOR/WALL HINGED METAL COVER PLATE
W/APPLIED SOUND DAMPENING

DATE:	10-31-13
SCALE:	1:4
DOC:	CADJM.130/R5

inpro.
For More Information Visit: Inprocorp.com



806SD-A02-300

JOINT WIDTH		MOVEMENT ±			
		HORIZONTAL		VERTICAL	
US	mm	US	mm	US	mm
12"	305	6"	150	+1 5/8" /-3 1/2"	+41 /-90

FINISH: MILL
PROJECT:
CUSTOMER:
LOCATION:

APPLICATION-
FLOOR/WALL HINGED METAL COVER PLATE
W/APPLIED SOUND DAMPENING

DATE:	10-31-13
SCALE:	1:4
DOC:	CADJM.130/R5

inpro.
For More Information Visit: Inprocorp.com