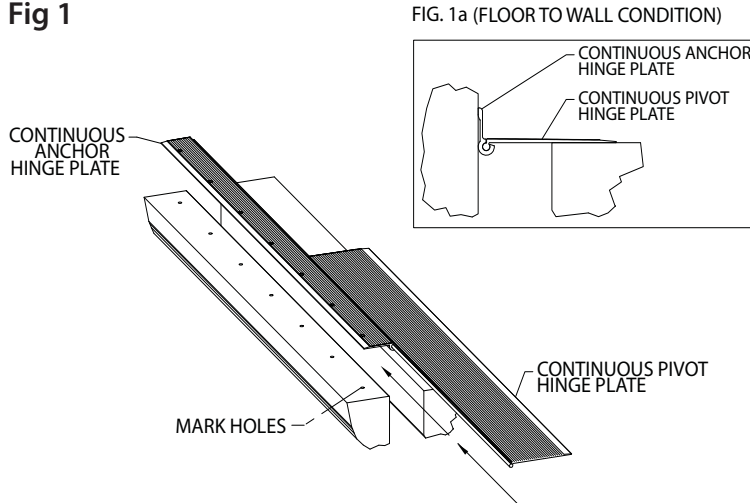


Installation Instructions

Joint System: 806/806SD-A01/ A02

Note: Verify that the structural gap is in conformance with submittal data before beginning installation. If this is a Fire Rated Assembly, install the fire barrier before the Architectural Joint System. Refer to the fire barrier instructions for specific system installation.

Fig 1

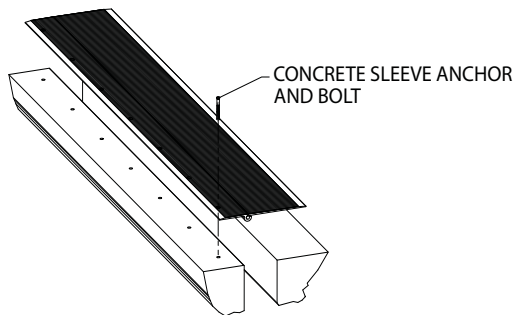


1. Install the architectural joint system on a level finished floor when applicable. This may require adding leveling compound on top of the substrate to provide a smooth mounting surface.

Figure 1

2. Cut the aluminum plates to the desired length. Slide the pivoting half of the hinge plate into the anchored half of the hinge plate.
3. Place the plate assembly over the structural gap.
 - 3a. For floor to floor (A01) condition, plate should be placed such that the knuckle of the hinge is tight against the throat of the joint. See Figure 3.
 - 3b. For floor to wall (A02) condition, short leg (predrilled hole side) should be placed firmly against the finished wall. Align level with the finished floor. See Figure 1a.

Fig 2



4. Mark the pre-drilled hole locations on the substrate.
5. Remove the plate assembly.

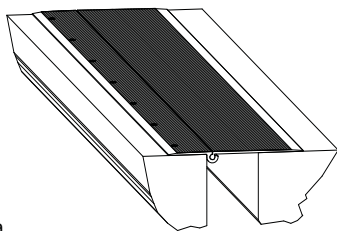
Figure 2

6. For systems -050 thru -150: Drill all marked holes on the substrate using a 1/4" (6 mm) drill bit and drill 2 1/4" (58mm) deep.

For systems -200 and -300 Drill all marks holes on the substrate using a 3/8" (9.5mm) drill bit and drill 2 1/2" (64mm) deep. Insert concrete sleeve anchors.

7. Return the plates into position over the drilled hole locations and secure in place with one flat head screw for each anchor.

**FIG. 3
(806-A01 COMPLETE INSTALLATION)**



**FIG. 3a
(806-A02 COMPLETE INSTALLATION)**

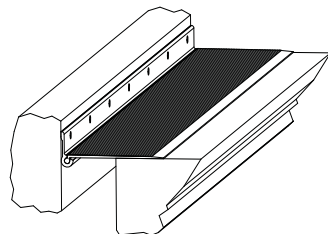


Figure 3 & 3a

8. Clean the exposed surfaces with a non-solvent cleaner, such as 409, as required.

IPC.917/REV.4

Installation Hotline • 866.EZINPRO

Inprocorp.com • 800.222.5556 • 262.679.9010

World Headquarters S80 W18766 Apollo Drive, Muskego, WI 53150 USA

JOINTMASTER®
EXPANSION JOINT SYSTEMS
A DIVISION OF INPRO®