

# 806 Series

A01 - Floor to Floor

A02 - Floor to Wall



Movement Rating  $\pm 50\%$

Product Guide



Thermal



Exterior



Interior



Fire Rated Option



Vapor



ADA Compliant

- ▶ Surface mount cover applicable to renovations, additions and new construction
- ▶ Pre-drilled countersunk holes for easy installation
- ▶ Hinged plates allow system to accommodate uneven slabs and deck deflection
- ▶ Applicable to Moderate loading conditions
- ▶ Mill finish standard with serrations for slip resistance

Application	System	W		H1		H2		S		B		Movement			
		Joint Width		Frame Height 1		Height 2		Sightline		Blockout		Horizontal +/-		Vertical (+ / -)	
		US	mm	US	mm	US	mm	US	mm	US	mm	US	mm	US	mm
Floor to Floor	806-A01-050	2"	51	3/16"	5	*	*	7"	178	*	*	$\pm 1"$	$\pm 25$	+1/4" / -1"	+10 / -51
	806-A01-075	3"	76	3/16"	5	*	*	10 1/2"	267	*	*	$\pm 2"$	$\pm 51$	+1 1/16" / -2 1/16"	+17 / -52
	806-A01-100	4"	102	3/16"	5	*	*	10 1/2"	267	*	*	$\pm 2"$	$\pm 51$	+5/8" / -2"	+10 / -51
	806-A01-150	6"	152	3/16"	5	*	*	13"	330	*	*	$\pm 3"$	$\pm 75$	+7/8" / -2 3/4"	+13 / -71
	806-A01-200	8"	203	7/16"	11	*	*	17 11/16"	449	*	*	$\pm 4"$	$\pm 102$	+1" / -2 1/2"	+25 / -64
	806-A01-250	10"	254	7/16"	11	*	*	19 3/4"	502	*	*	$\pm 5"$	$\pm 127$	+1 3/8" / -3"	+35 / -76
Floor to Wall	806-A01-300	12"	305	1/2"	13	*	*	23 1/16"	586	*	*	$\pm 6"$	$\pm 152$	+1 5/8" / -3 1/2"	+41 / -90
	806-A02-050	2"	51	3/16"	5	*	*	4"	102	*	*	$\pm 1"$	$\pm 25$	+1/4" / -1"	+6 / -25
	806-A02-075	3"	76	3/16"	5	*	*	7 1/2"	191	*	*	$\pm 2"$	$\pm 50$	+1 1/16" / -2 1/16"	+17 / -52
	806-A02-100	4"	102	3/16"	5	*	*	7 1/2"	191	*	*	$\pm 2"$	$\pm 51$	+5/8" / -2"	+10" / -51"
	806-A02-150	6"	152	3/16"	5	*	*	10"	254	*	*	$\pm 3"$	$\pm 76$	+7/8" / -2 3/4"	+13 / -71
	806-A02-200	8"	203	7/16"	11	*	*	13 5/8"	346	*	*	$\pm 4"$	$\pm 102$	+1" / -2 1/2"	+25 / -64
	806-A02-250	10"	254	7/16"	11	*	*	15 11/16"	398	*	*	$\pm 5"$	$\pm 254$	+1 3/8" / -3"	+35 / -76
806-A02-300	12"	305	1/2"	12	*	*	19"	483	*	*	$\pm 6"$	$\pm 152$	+1 5/8" / -3 1/2"	+41 / -90	

IPC.921/REV.10

inpro.com • 800.222.5556 • 262.679.9010

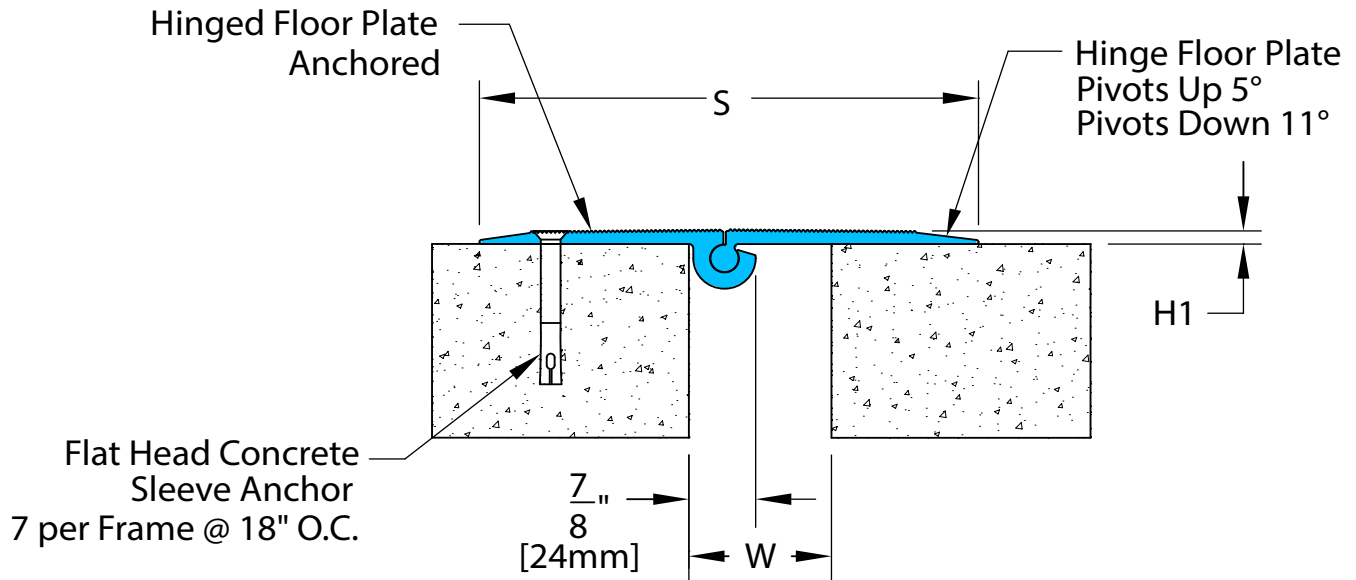
World Headquarters S80 W18766 Apollo Drive, Muskego, WI 53150 USA

**inpro**®

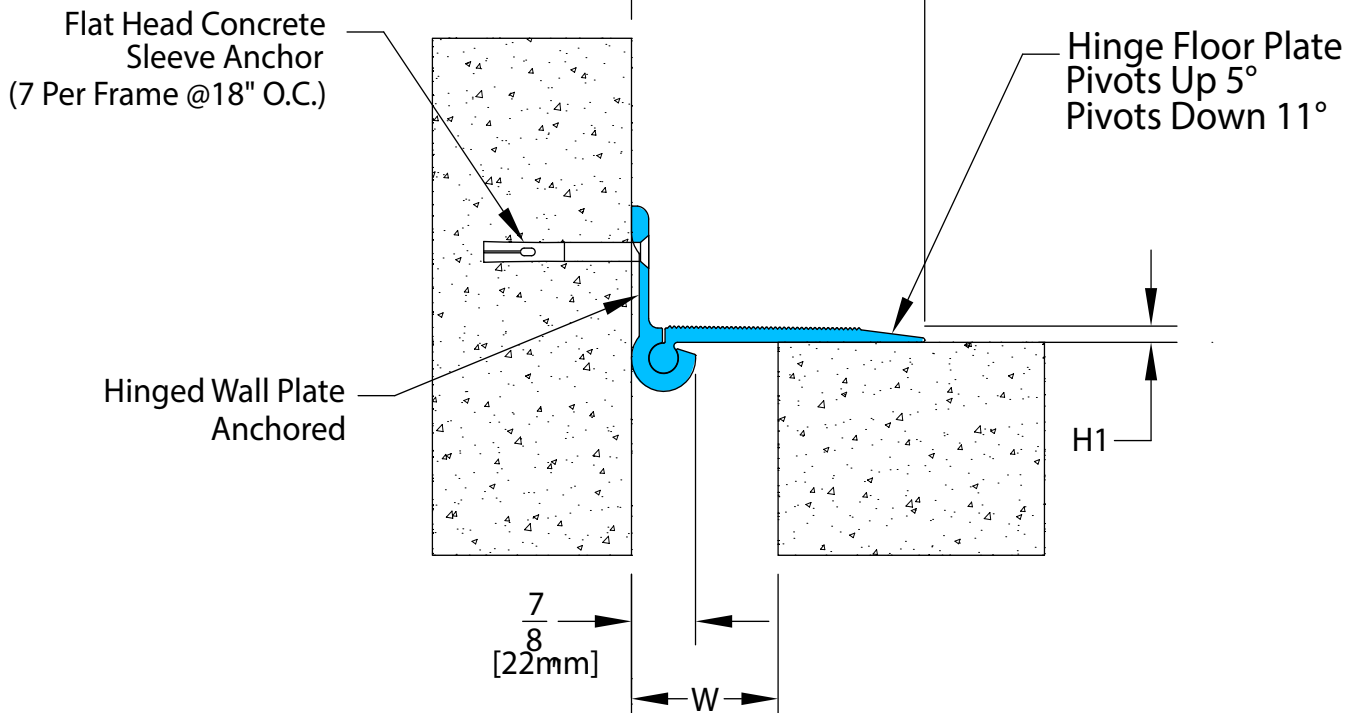
# 806 Series

## Hinged Cover Plate System

806-A01 Floor/Floor  
(2" (51mm) system shown)



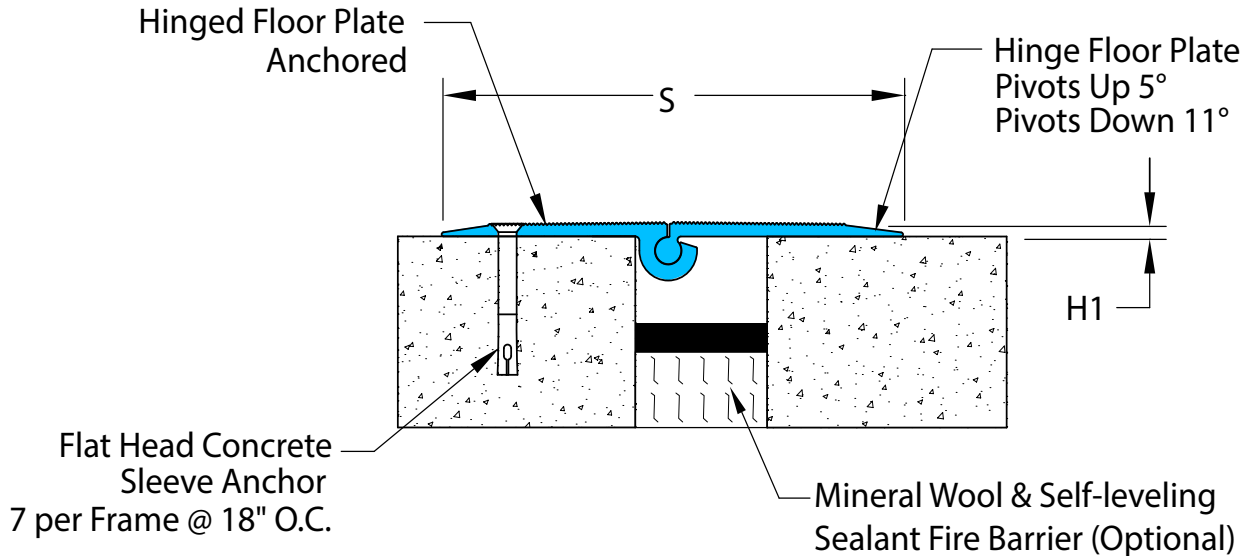
806-A02 Floor/Wall  
(2" (51mm) system shown)



# 806 Series

## Options

806-A01 Floor/Floor With Fire Barrier  
(2" (51mm) system shown)



806-A01 Floor/Floor With Vapor Barrier  
(2" (51mm) system shown)

