

806 Series

A01 - Floor to Floor
A02 - Floor to Wall



Movement Rating $\pm 50\%$

Product Guide



Thermal



Interior



Fire Rated Option



Vapor



ADA Compliant

- ▶ Surface mount cover applicable to interior renovations, additions and new construction
- ▶ Pre-drilled countersunk holes for easy installation
- ▶ Hinged plates allow system to accommodate uneven slabs and deck deflection
- ▶ Applicable to Moderate loading conditions
- ▶ Mill finish standard with serrations for slip resistance

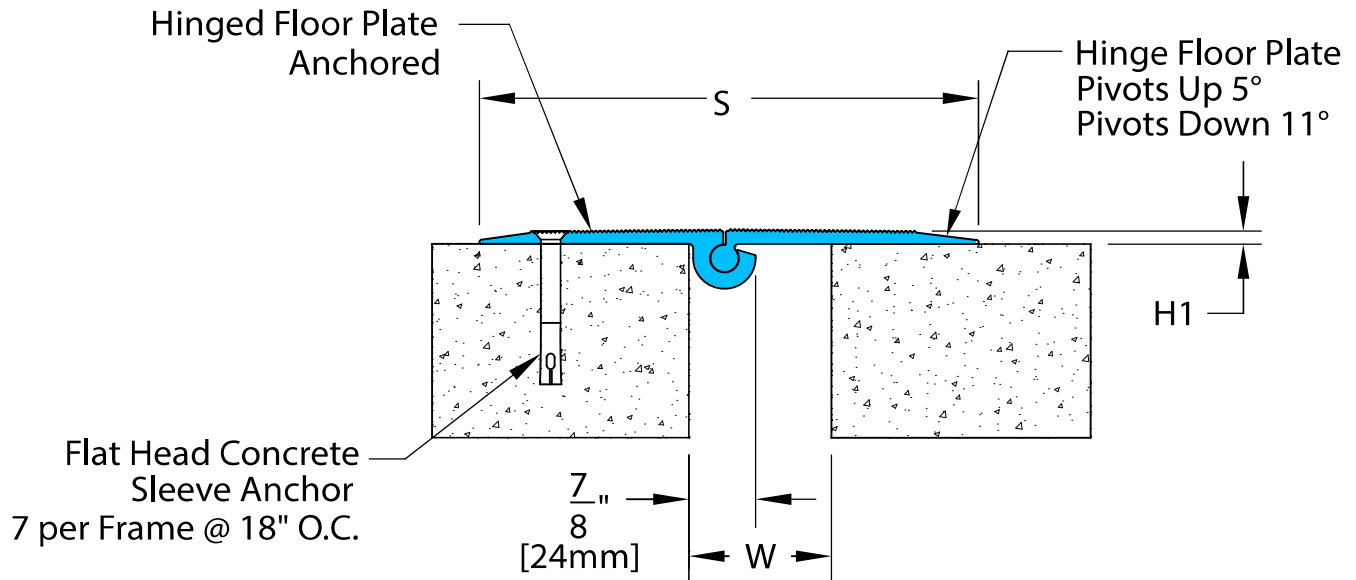
Application	System	W		H1		H2		S		B		Movement			
		Joint Width		Frame Height 1		Height 2		Sightline		Blockout		Horizontal +/-		Vertical (+ / -)	
		US	mm	US	mm	US	mm	US	mm	US	mm	US	mm	US	mm
Floor to Floor	806-A01-050	2"	51	3/16"	5	*	*	7"	178	*	*	$\pm 1"$	± 25	$+1/4" / -1"$	$+10 / -51$
	806-A01-075	3"	76	3/16"	5	*	*	$10 1/2"$	267	*	*	$\pm 2"$	± 51	$+1 1/16" / -2 1/16"$	$+17 / -52$
	806-A01-100	4"	102	3/16"	5	*	*	$10 1/2"$	267	*	*	$\pm 2"$	± 51	$+5/8" / -2"$	$+10 / -51$
	806-A01-150	6"	152	3/16"	5	*	*	13"	330	*	*	$\pm 3"$	± 75	$+7/8" / -2 3/4"$	$+13 / -71$
	806-A01-200	8"	203	7/16"	11	*	*	$17 11/16"$	449	*	*	$\pm 4"$	± 102	$+1" / -2 1/2"$	$+25 / -64$
	806-A01-250	10"	254	7/16"	11	*	*	$19 3/4"$	502	*	*	$\pm 5"$	± 127	$+1 3/8" / -3"$	$+35 / -76$
Floor to Wall	806-A01-300	12"	305	1/2"	13	*	*	$23 1/16"$	586	*	*	$\pm 6"$	± 152	$+1 5/8" / -3 1/2"$	$+41 / -90$
	806-A02-050	2"	51	3/16"	5	*	*	4"	102	*	*	$\pm 1"$	± 25	$+1/4" / -1"$	$+6 / -25$
	806-A02-075	3"	76	3/16"	5	*	*	$7 1/2"$	191	*	*	$\pm 2"$	± 50	$+1 1/16" / -2 1/16"$	$+17 / -52$
	806-A02-100	4"	102	3/16"	5	*	*	$7 1/2"$	191	*	*	$\pm 2"$	± 51	$+5/8" / -2"$	$+10" / -51"$
	806-A02-150	6"	152	3/16"	5	*	*	10"	254	*	*	$\pm 3"$	± 76	$+7/8" / -2 3/4"$	$+13 / -71$
	806-A02-200	8"	203	7/16"	11	*	*	$13 5/8"$	346	*	*	$\pm 4"$	± 102	$+1" / -2 1/2"$	$+25 / -64$
	806-A02-250	10"	254	7/16"	11	*	*	$15 11/16"$	398	*	*	$\pm 5"$	± 254	$+1 3/8" / -3"$	$+35 / -76$
806-A02-300	12"	305	1/2"	12	*	*	19"	483	*	*	$\pm 6"$	± 152	$+1 5/8" / -3 1/2"$	$+41 / -90$	

IPC.921/REV.11

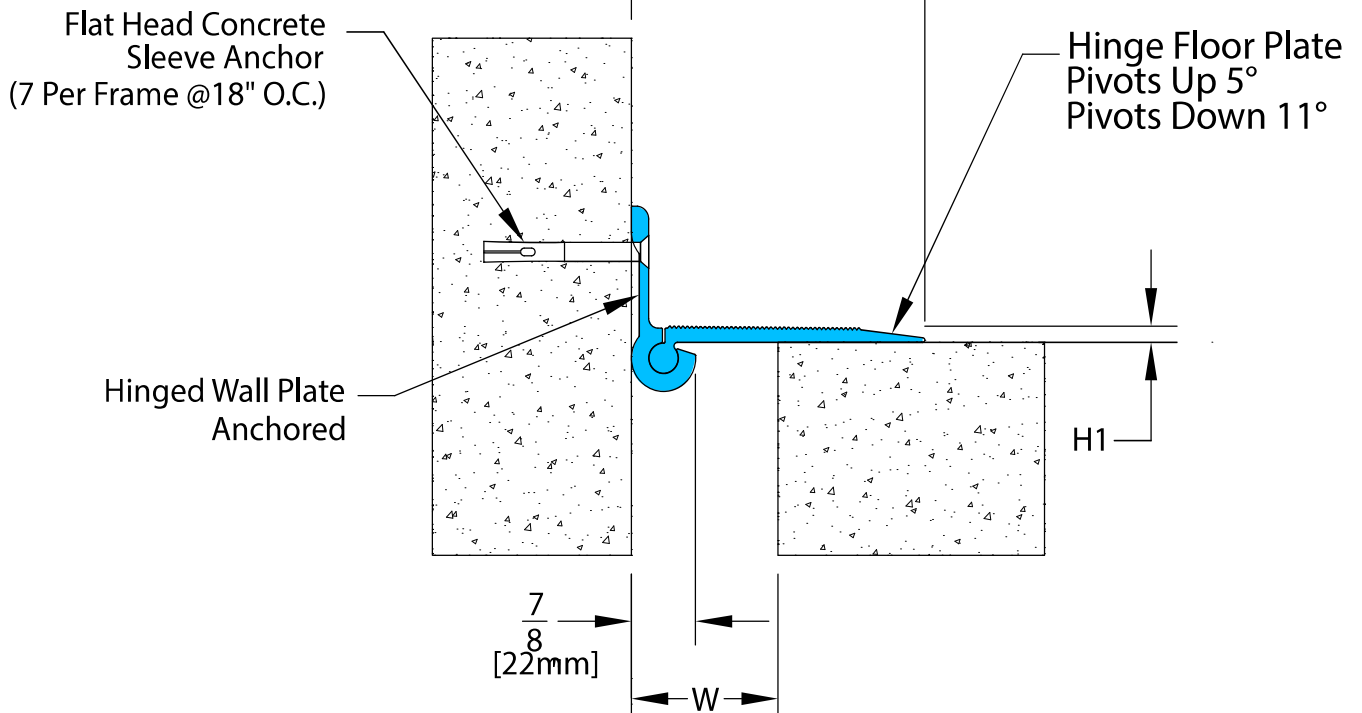
806 Series

Hinged Cover Plate System

806-A01 Floor/Floor
 (2" (51mm) system shown)



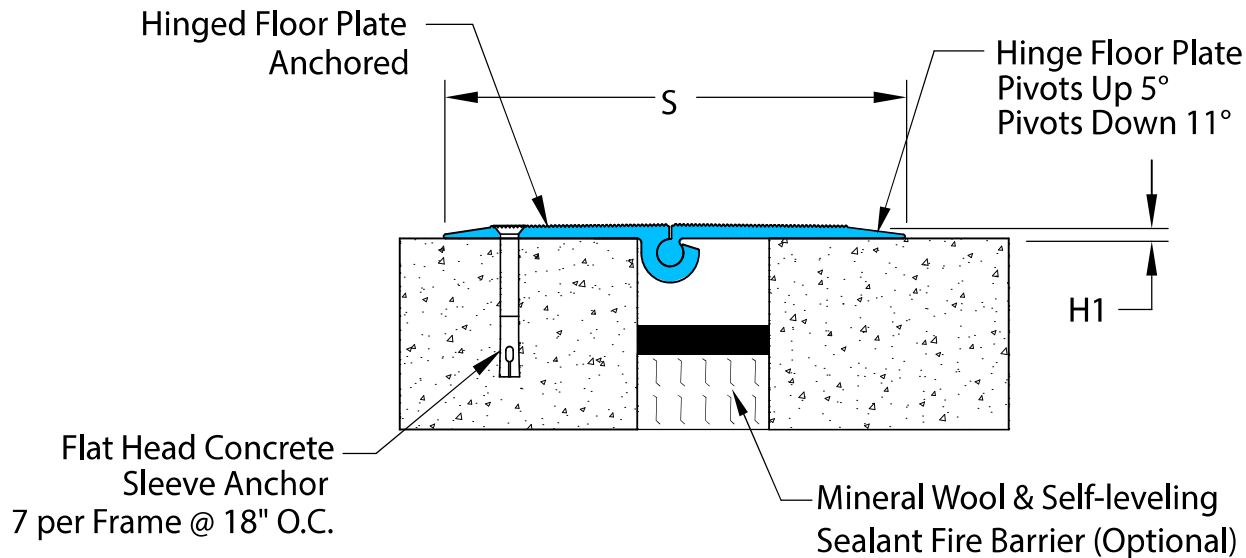
806-A02 Floor/Wall
 (2" (51mm) system shown)



806 Series

Options

806-A01 Floor/Floor With Fire Barrier
(2" (51mm) system shown)



806-A01 Floor/Floor With Vapor Barrier
(2" (51mm) system shown)

