

806 Series

A01 - Floor to Floor

A02 - Floor to Wall



Movement Rating $\pm 50\%$

Product Guide



Thermal



Exterior



Interior



Fire Rated
Option



Vapor Barrier
Option

- ▶ Designed for uneven slab conditions
- ▶ Pre-drilled counter-sunk holes for easy installation
- ▶ Applicable for existing conditions, additions and new construction
- ▶ Anti-slip surface serrations

Application	System	W		H1		H2		S		B		Movement			
		Joint Width		Frame Height 1		Height 2		Sightline		Blockout		Horizontal +/-		Vertical (+ / -)	
		US	mm	US	mm	US	mm	US	mm	US	mm	US	mm	US	mm
Floor to Floor	806-A01-050	2"	51	1/4"	6	*	*	7"	178	*	*	$\pm 1"$	± 25	+1/4" / -1"	+5 / -25
	806-A01-100	4"	102	1/4"	6	*	*	10 1/2"	267	*	*	$\pm 2"$	± 51	+5/8" / -2"	+10 / -51
	806-A01-150	6"	152	1/4"	6	*	*	13"	330	*	*	$\pm 3"$	± 76	+7/8" / -2 3/4"	+13 / -71
	806-A01-200	8"	203	5/16"	8	*	*	17"	432	*	*	$\pm 4"$	± 102	+1" / -2 1/2"	+25 / -64
	806-A01-250	10"	254	5/16"	8	*	*	20"	508	*	*	$\pm 5"$	± 127	+1 3/8" / -3"	+35 / -76
Floor to Wall	806-A01-300	12"	305	5/16"	8	*	*	23"	584	*	*	$\pm 6"$	± 152	+1 5/8" / -3 1/2"	+41 / -90
	806-A02-050	2"	51	1/4"	6	*	*	4"	102	*	*	$\pm 1"$	± 25	+1/4" / -1"	+6 / -25
	806-A02-100	4"	102	1/4"	6	*	*	7 1/2"	191	*	*	$\pm 2"$	± 51	+5/8" / -2"	+10 / -51
	806-A02-150	6"	152	1/4"	6	*	*	10"	254	*	*	$\pm 3"$	± 76	+7/8" / -2 3/4"	+13 / -71
	806-A02-200	8"	203	5/16"	8	*	*	13"	330	*	*	$\pm 4"$	± 102	+1" / -2 1/2"	+25 / -64
	806-A02-250	10"	254	5/16"	8	*	*	17"	432	*	*	$\pm 5"$	± 127	+1 3/8" / -3"	+35 / -76
	806-A02-300	12"	305	5/16"	8	*	*	19"	483	*	*	$\pm 6"$	± 152	+1 5/8" / -3 1/2"	+41 / -90

IPC.921/REV.8

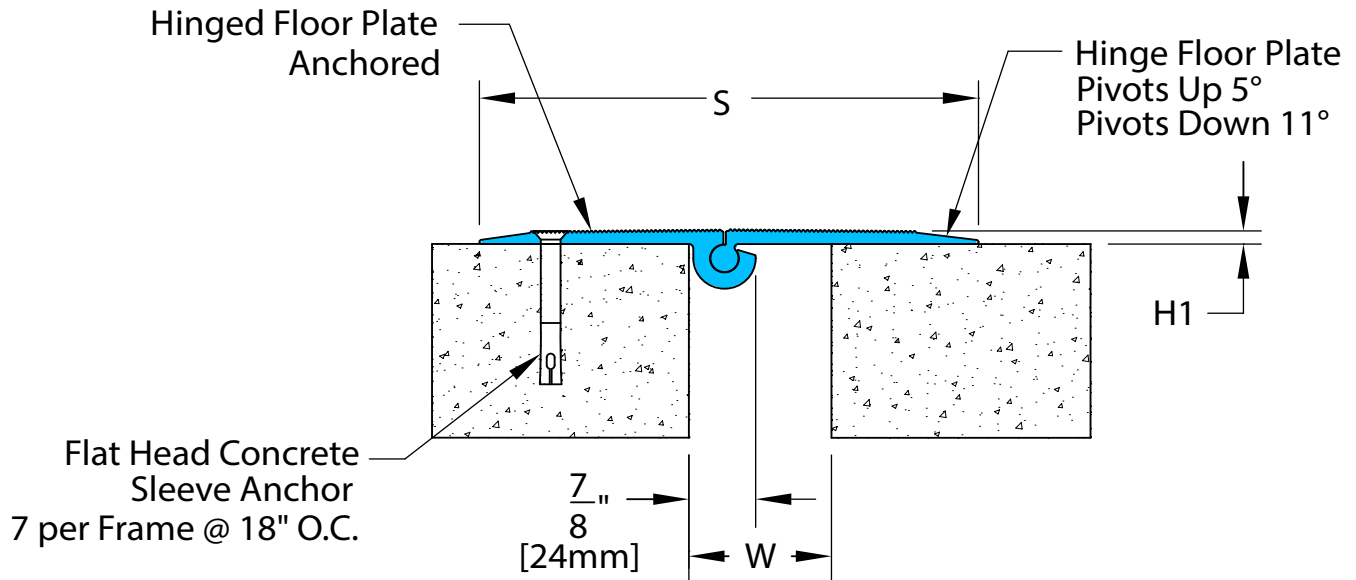
Inprocorp.com • 800.222.5556 • 262.679.9010
World Headquarters S80 W18766 Apollo Drive, Muskego, WI 53150 USA

JOINTMASTER®
EXPANSION JOINT SYSTEMS
A DIVISION OF INPRO®

806 Series

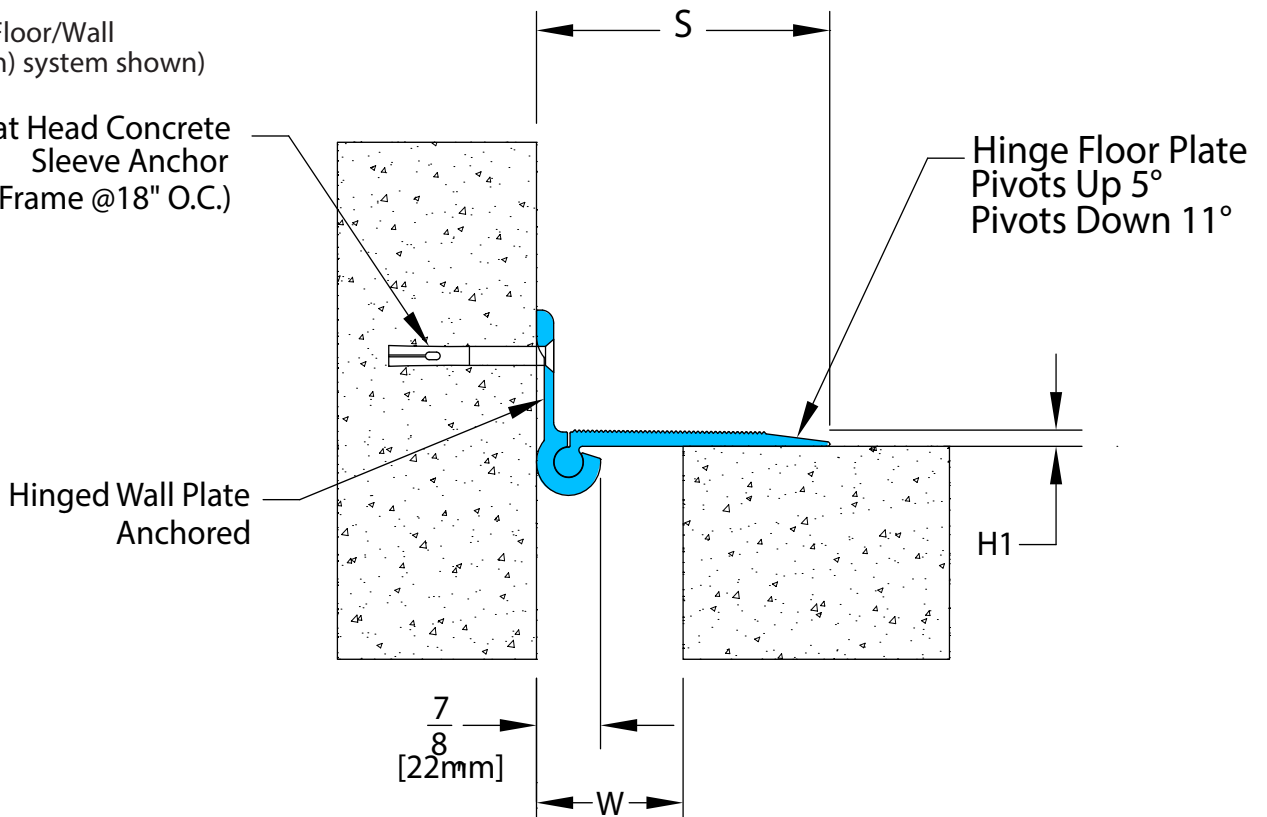
Hinged Cover Plate System

806-A01 Floor/Floor
(2" (51mm) system shown)



806-A02 Floor/Wall
(2" (51mm) system shown)

Flat Head Concrete Sleeve Anchor
(7 Per Frame @ 18" O.C.)



Inprocorp.com • 800.222.5556 • 262.679.9010

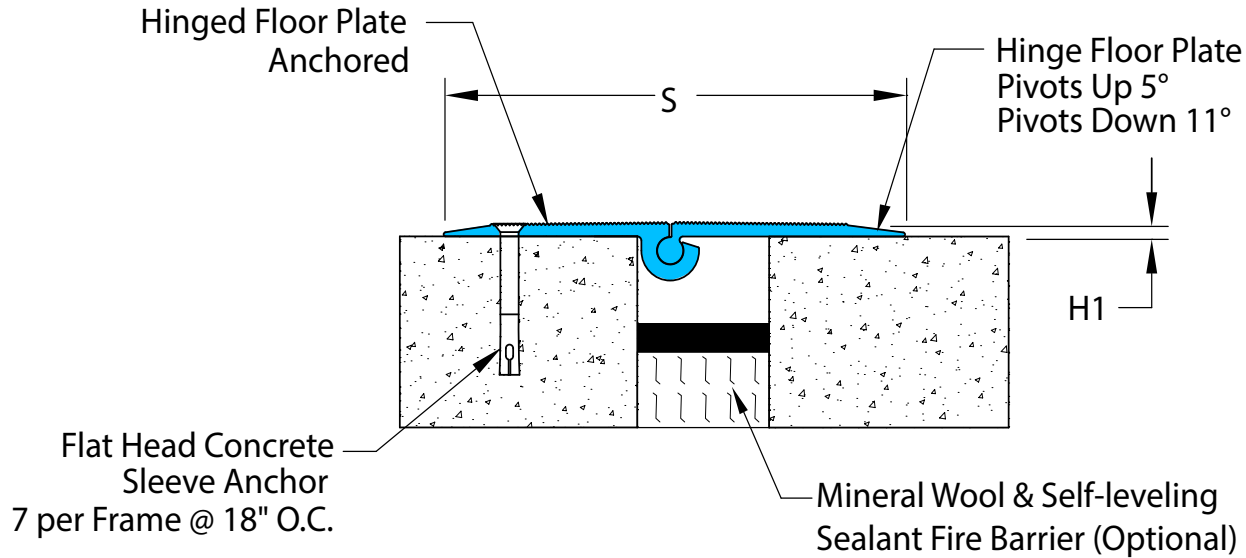
World Headquarters S80 W18766 Apollo Drive, Muskego, WI 53150 USA

JOINTMASTER®
EXPANSION JOINT SYSTEMS
A DIVISION OF INPRO®

806 Series

Options

806-A01 Floor/Floor With Fire Barrier
(2" (51mm) system shown)



806-A01 Floor/Floor With Vapor Barrier
(2" (51mm) system shown)

