

806 Series

A01 - Floor to Floor

A02 - Floor to Wall



Movement Rating $\pm 50\%$

Product Guide



Thermal



Exterior



Interior



Fire Rated Option



Vapor Barrier Option

- ▶ Designed for uneven slab conditions
- ▶ Pre-drilled counter-sunk holes for easy installation
- ▶ Applicable for existing conditions, additions and new construction
- ▶ Anti-slip surface serrations

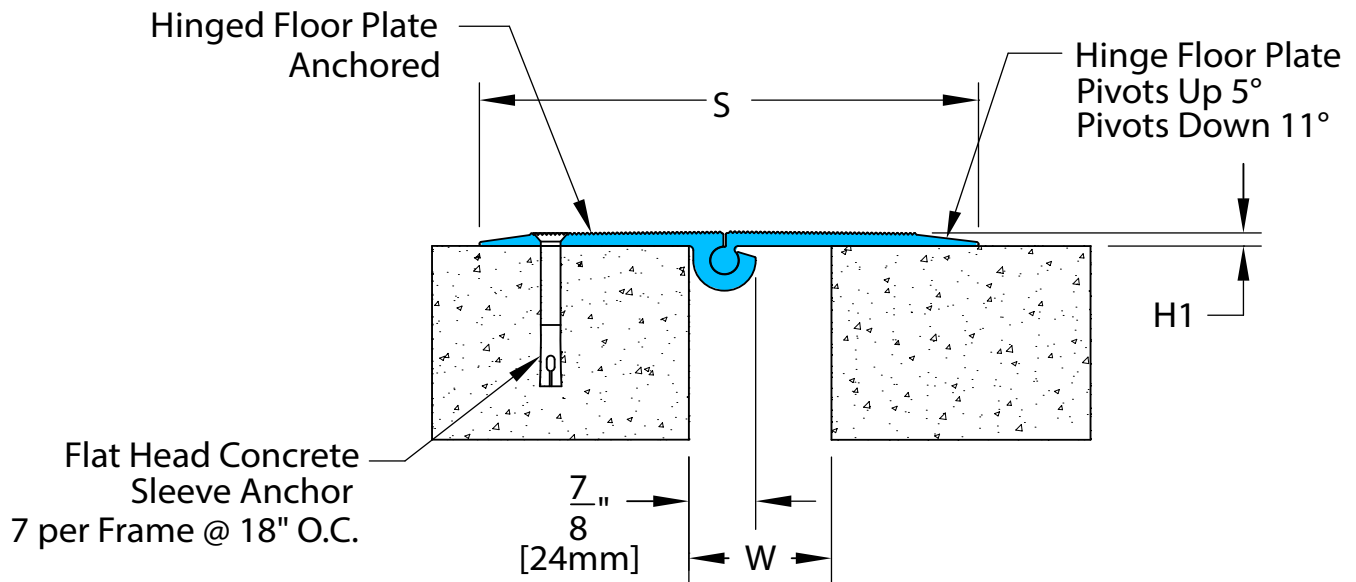
| Application | System | W | | H1 | | H2 | | S | | B | | Movement | | | |
|----------------|-------------|-------------|-----|----------------|----|----------|----|-----------|-----|----------|----|----------------|-----------|---------------------|-------------|
| | | Joint Width | | Frame Height 1 | | Height 2 | | Sightline | | Blockout | | Horizontal +/- | | Vertical (+ / -) | |
| | | US | mm | US | mm | US | mm | US | mm | US | mm | US | mm | US | mm |
| Floor to Floor | 806-A01-050 | 2" | 51 | 3/16" | 5 | * | * | 7" | 178 | * | * | $\pm 1"$ | ± 25 | +1/4" / -1" | +10 / -51 |
| | 806-A01-075 | 3" | 76 | 3/16" | 5 | * | * | 10 1/2" | 267 | * | * | $\pm 2"$ | ± 51 | +1 1/16" / -2 1/16" | +17 / -52 |
| | 806-A01-100 | 4" | 102 | 3/16" | 5 | * | * | 10 1/2" | 267 | * | * | $\pm 2"$ | ± 51 | +5/8" / -2" | +10 / -51 |
| | 806-A01-150 | 6" | 152 | 3/16" | 5 | * | * | 13" | 330 | * | * | $\pm 3"$ | ± 75 | +7/8" / -2 3/4" | +13 / -71 |
| | 806-A01-200 | 8" | 203 | 7/16" | 11 | * | * | 17 11/16" | 449 | * | * | $\pm 4"$ | ± 102 | +1" / -2 1/2" | +25 / -64 |
| | 806-A01-250 | 10" | 254 | 7/16" | 11 | * | * | 19 3/4" | 502 | * | * | $\pm 5"$ | ± 127 | +1 3/8" / -3" | +35 / -76 |
| Floor to Wall | 806-A01-300 | 12" | 305 | 1/2" | 13 | * | * | 23 1/16" | 586 | * | * | $\pm 6"$ | ± 152 | +1 5/8" / -3 1/2" | +41 / -90 |
| | 806-A02-050 | 2" | 51 | 3/16" | 5 | * | * | 4" | 102 | * | * | $\pm 1"$ | ± 25 | +1/4" / -1" | +6 / -25 |
| | 806-A02-075 | 3" | 76 | 3/16" | 5 | * | * | 7 1/2" | 191 | * | * | $\pm 2"$ | ± 50 | +1 1/16" / -2 1/16" | +17 / -52 |
| | 806-A02-100 | 4" | 102 | 3/16" | 5 | * | * | 7 1/2" | 191 | * | * | $\pm 2"$ | ± 51 | +5/8" / -2" | +10" / -51" |
| | 806-A02-150 | 6" | 152 | 3/16" | 5 | * | * | 10" | 254 | * | * | $\pm 3"$ | ± 76 | +7/8" / -2 3/4" | +13 / -71 |
| | 806-A02-200 | 8" | 203 | 7/16" | 11 | * | * | 13 5/8" | 346 | * | * | $\pm 4"$ | ± 102 | +1" / -2 1/2" | +25 / -64 |
| | 806-A02-250 | 10" | 254 | 7/16" | 11 | * | * | 15 11/16" | 398 | * | * | $\pm 5"$ | ± 254 | +1 3/8" / -3" | +35 / -76 |
| | 806-A02-300 | 12" | 305 | 1/2" | 12 | * | * | 19" | 483 | * | * | $\pm 6"$ | ± 152 | +1 5/8" / -3 1/2" | +41 / -90 |

IPC.921/REV.8

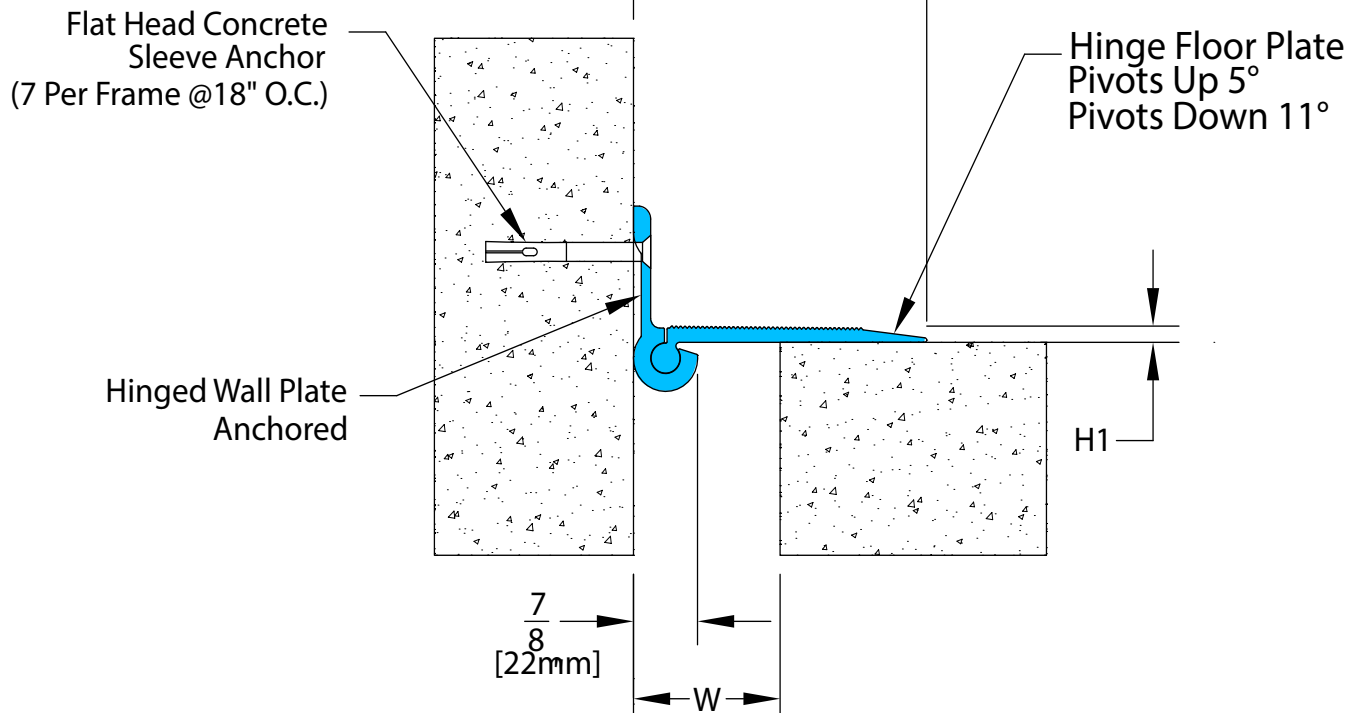
806 Series

Hinged Cover Plate System

806-A01 Floor/Floor
(2" (51mm) system shown)



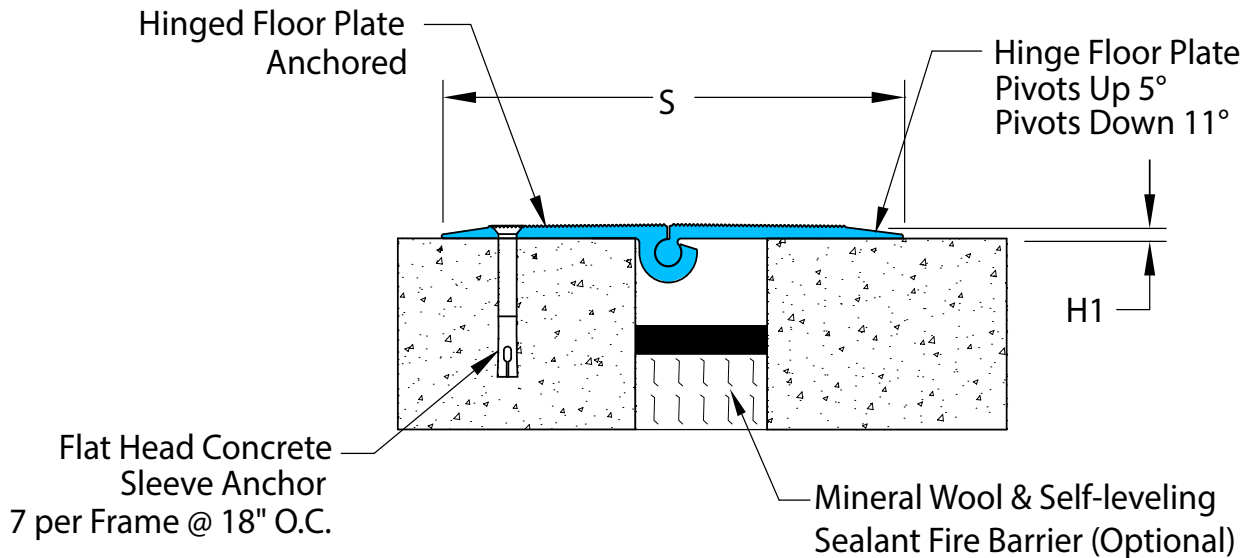
806-A02 Floor/Wall
(2" (51mm) system shown)



806 Series

Options

806-A01 Floor/Floor With Fire Barrier
(2" (51mm) system shown)



806-A01 Floor/Floor With Vapor Barrier
(2" (51mm) system shown)

