

# 806 Series

A01 - Floor to Floor

A02 - Floor to Wall



Movement Rating  $\pm 50\%$

## Product Guide



Thermal



Exterior



Interior



Fire Rated Option



Vapor Barrier Option

- ▶ Surface mount cover applicable to renovations, additions and new construction
- ▶ Pre-drilled countersunk holes for easy installation
- ▶ Hinged plates allow system to accommodate uneven slabs and deck deflection
- ▶ Applicable to Moderate loading conditions
- ▶ Mill finish standard with serrations for slip resistance

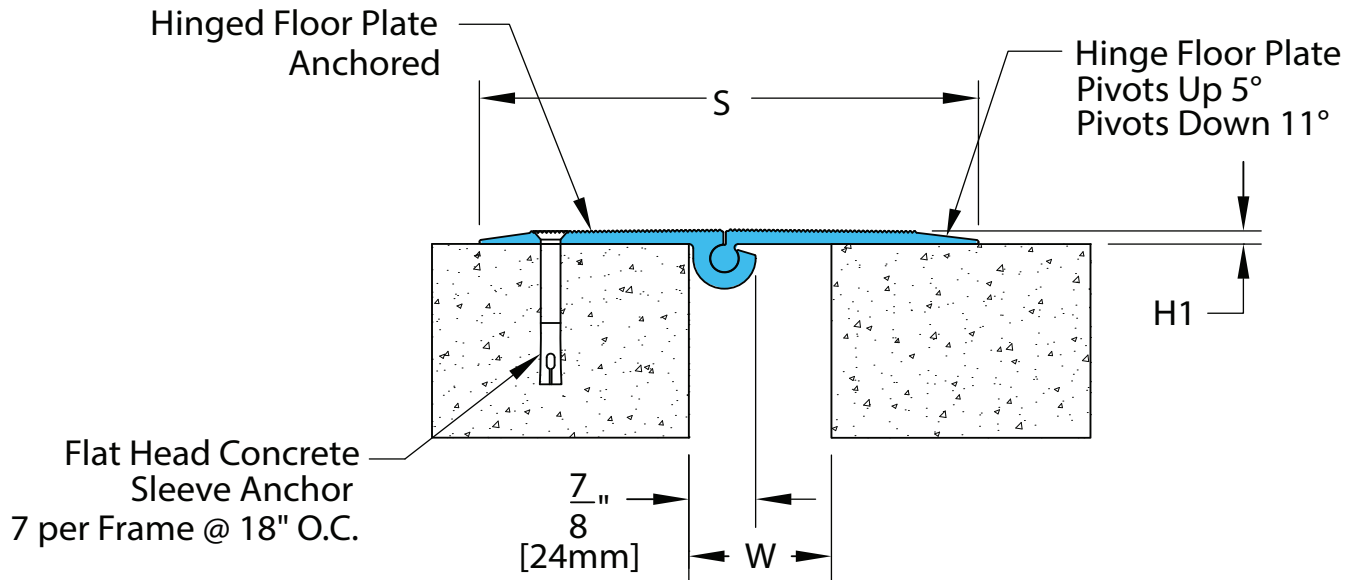
| Application    | System      | W           |     | H1             |    | H2       |    | S         |     | B        |    | Movement       |           |                       |               |
|----------------|-------------|-------------|-----|----------------|----|----------|----|-----------|-----|----------|----|----------------|-----------|-----------------------|---------------|
|                |             | Joint Width |     | Frame Height 1 |    | Height 2 |    | Sightline |     | Blockout |    | Horizontal +/- |           | Vertical (+ / -)      |               |
|                |             | US          | mm  | US             | mm | US       | mm | US        | mm  | US       | mm | US             | mm        | US                    | mm            |
| Floor to Floor | 806-A01-050 | 2"          | 51  | 3/16"          | 5  | *        | *  | 7"        | 178 | *        | *  | $\pm 1"$       | $\pm 25$  | $+1/4" / -1"$         | $+10 / -51$   |
|                | 806-A01-075 | 3"          | 76  | 3/16"          | 5  | *        | *  | 10 1/2"   | 267 | *        | *  | $\pm 2"$       | $\pm 51$  | $+1 1/16" / -2 1/16"$ | $+17 / -52$   |
|                | 806-A01-100 | 4"          | 102 | 3/16"          | 5  | *        | *  | 10 1/2"   | 267 | *        | *  | $\pm 2"$       | $\pm 51$  | $+5/8" / -2"$         | $+10 / -51$   |
|                | 806-A01-150 | 6"          | 152 | 3/16"          | 5  | *        | *  | 13"       | 330 | *        | *  | $\pm 3"$       | $\pm 75$  | $+7/8" / -2 3/4"$     | $+13 / -71$   |
|                | 806-A01-200 | 8"          | 203 | 7/16"          | 11 | *        | *  | 17 11/16" | 449 | *        | *  | $\pm 4"$       | $\pm 102$ | $+1" / -2 1/2"$       | $+25 / -64$   |
|                | 806-A01-250 | 10"         | 254 | 7/16"          | 11 | *        | *  | 19 3/4"   | 502 | *        | *  | $\pm 5"$       | $\pm 127$ | $+1 3/8" / -3"$       | $+35 / -76$   |
| Floor to Wall  | 806-A01-300 | 12"         | 305 | 1/2"           | 13 | *        | *  | 23 1/16"  | 586 | *        | *  | $\pm 6"$       | $\pm 152$ | $+1 5/8" / -3 1/2"$   | $+41 / -90$   |
|                | 806-A02-050 | 2"          | 51  | 3/16"          | 5  | *        | *  | 4"        | 102 | *        | *  | $\pm 1"$       | $\pm 25$  | $+1/4" / -1"$         | $+6 / -25$    |
|                | 806-A02-075 | 3"          | 76  | 3/16"          | 5  | *        | *  | 7 1/2"    | 191 | *        | *  | $\pm 2"$       | $\pm 50$  | $+1 1/16" / -2 1/16"$ | $+17 / -52$   |
|                | 806-A02-100 | 4"          | 102 | 3/16"          | 5  | *        | *  | 7 1/2"    | 191 | *        | *  | $\pm 2"$       | $\pm 51$  | $+5/8" / -2"$         | $+10" / -51"$ |
|                | 806-A02-150 | 6"          | 152 | 3/16"          | 5  | *        | *  | 10"       | 254 | *        | *  | $\pm 3"$       | $\pm 76$  | $+7/8" / -2 3/4"$     | $+13 / -71$   |
|                | 806-A02-200 | 8"          | 203 | 7/16"          | 11 | *        | *  | 13 5/8"   | 346 | *        | *  | $\pm 4"$       | $\pm 102$ | $+1" / -2 1/2"$       | $+25 / -64$   |
| Floor to Wall  | 806-A02-250 | 10"         | 254 | 7/16"          | 11 | *        | *  | 15 11/16" | 398 | *        | *  | $\pm 5"$       | $\pm 254$ | $+1 3/8" / -3"$       | $+35 / -76$   |
|                | 806-A02-300 | 12"         | 305 | 1/2"           | 12 | *        | *  | 19"       | 483 | *        | *  | $\pm 6"$       | $\pm 152$ | $+1 5/8" / -3 1/2"$   | $+41 / -90$   |

IPC.921/REV.9

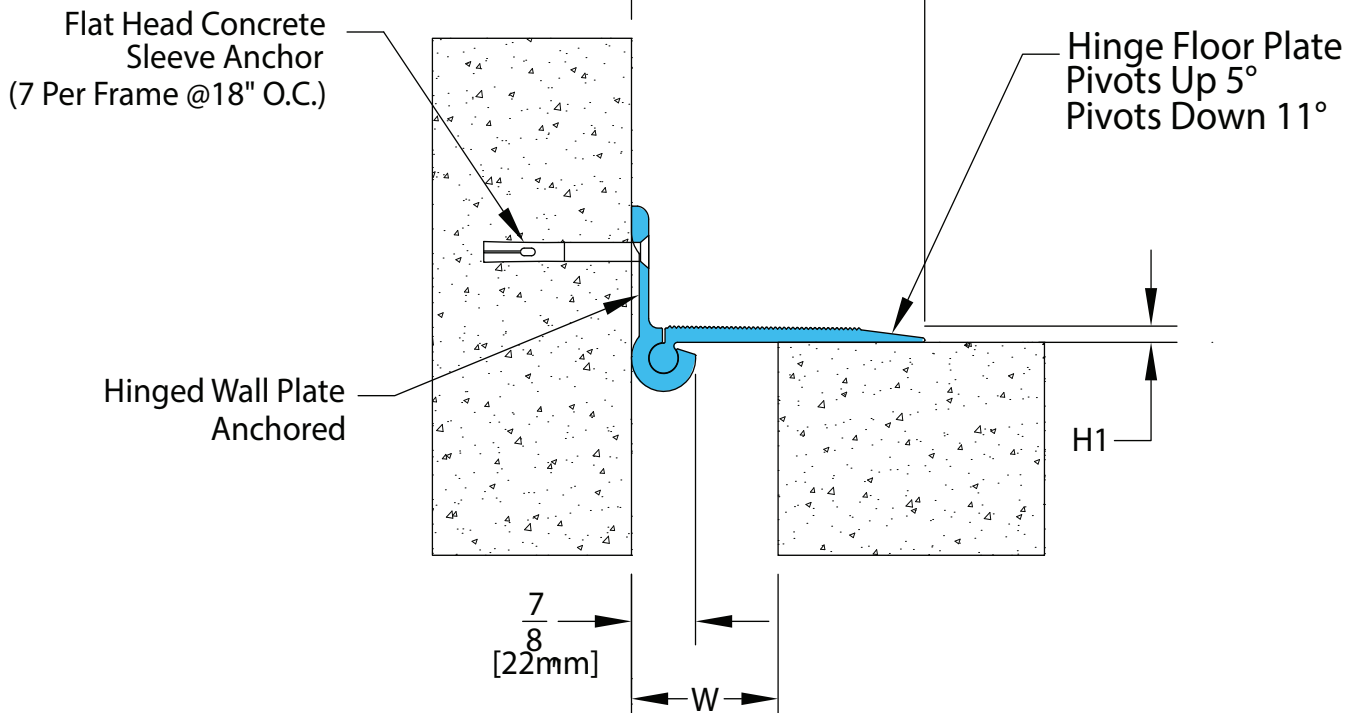
# 806 Series

## Hinged Cover Plate System

806-A01 Floor/Floor  
 (2" (51mm) system shown)



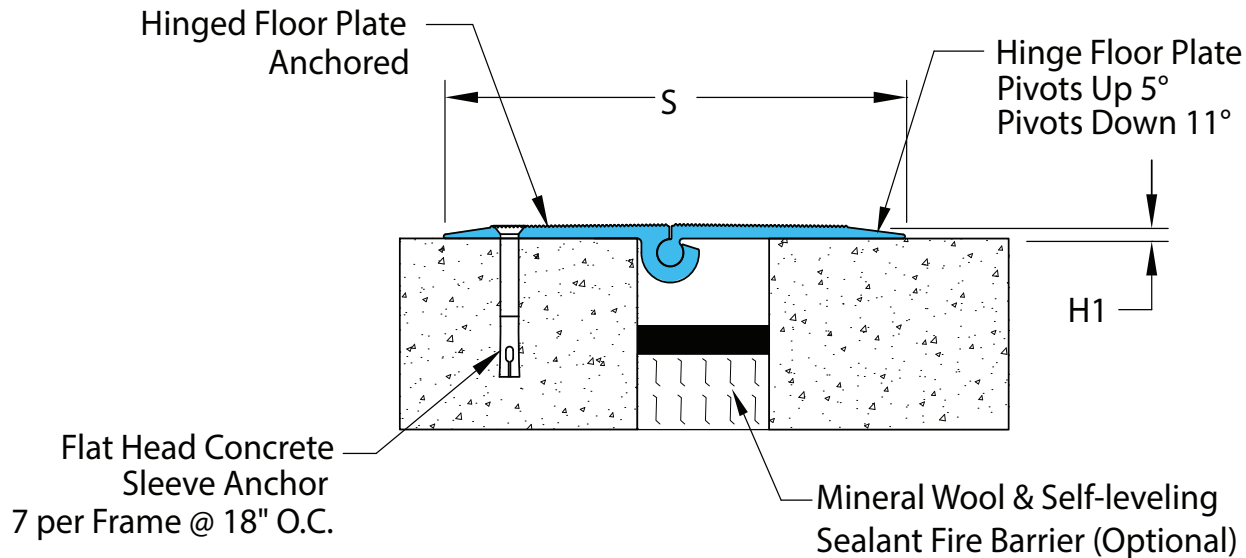
806-A02 Floor/Wall  
 (2" (51mm) system shown)



# 806 Series

## Options

806-A01 Floor/Floor With Fire Barrier  
(2" (51mm) system shown)



806-A01 Floor/Floor With Vapor Barrier  
(2" (51mm) system shown)

