

### 807-A01-050/3

JOINT WIDTH		MOVEMENT ±			
		HORIZONTAL		VERTICAL	
US	mm	US	mm	US	mm
2"	102	1"	25	1"	25

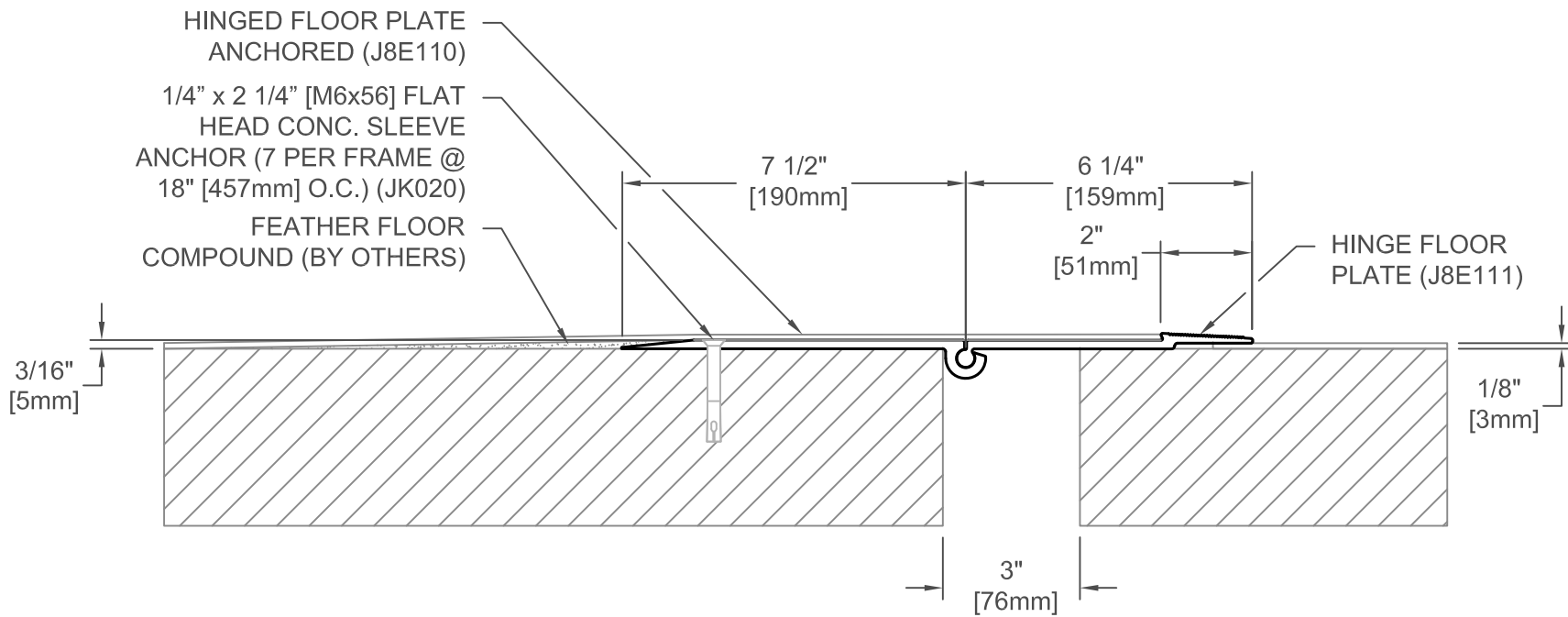
FINISH: MILL
PROJECT:
CUSTOMER:
LOCATION:

APPLICATION-  
FLOOR/FLOOR CONDITION  
FOR 1/8" FLOORING

DATE:	12-6-11
SCALE:	1:4
DOC:	CADJM.052/R3



For More Information Visit: [Inprocorp.com](http://Inprocorp.com)



### 807-A01-075/3

JOINT WIDTH		MOVEMENT ±			
		HORIZONTAL		VERTICAL	
US	mm	US	mm	US	mm
3"	102	1 1/2"	38	1"	25

FINISH: MILL

PROJECT:

CUSTOMER:

LOCATION:

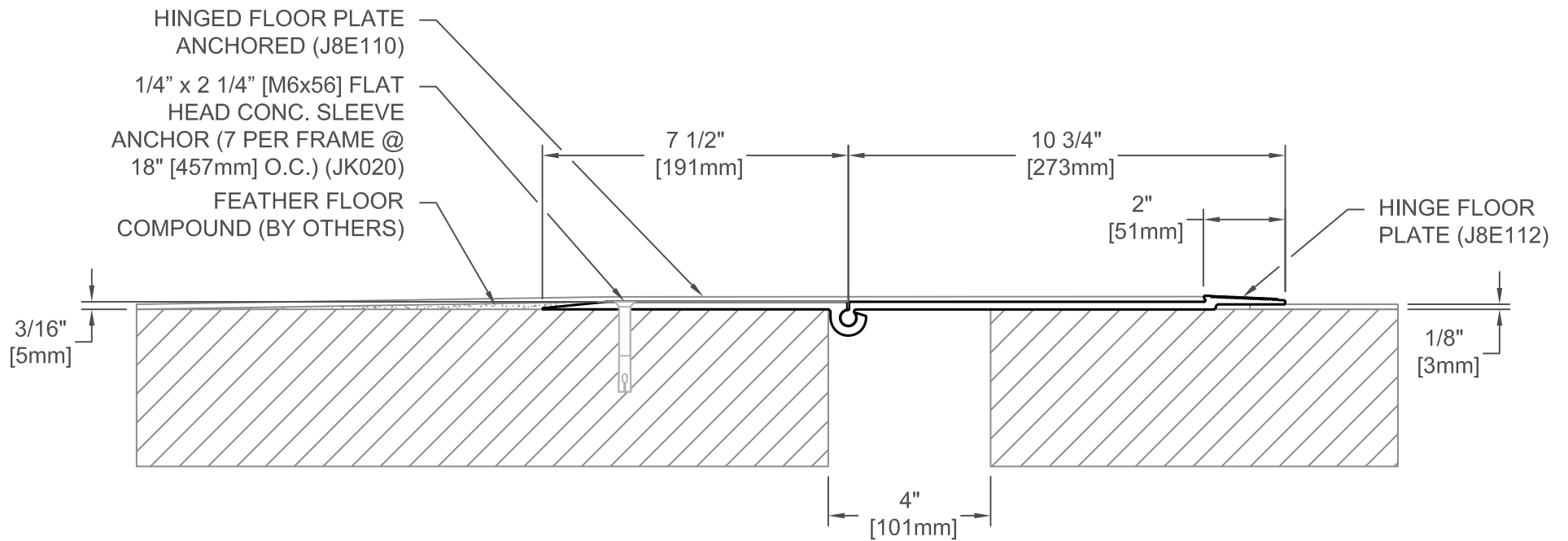
APPLICATION-  
FLOOR/FLOOR CONDITION  
FOR 1/8" FLOORING

DATE: 12-6-11

SCALE: 1:4

DOC: CADJM.052/R3

**inpro.**  
For More Information Visit: [Inprocorp.com](http://Inprocorp.com)



### 807-A01-100/3

JOINT WIDTH		MOVEMENT ±			
		HORIZONTAL		VERTICAL	
US	mm	US	mm	US	mm
4"	101	2"	51	1"	25

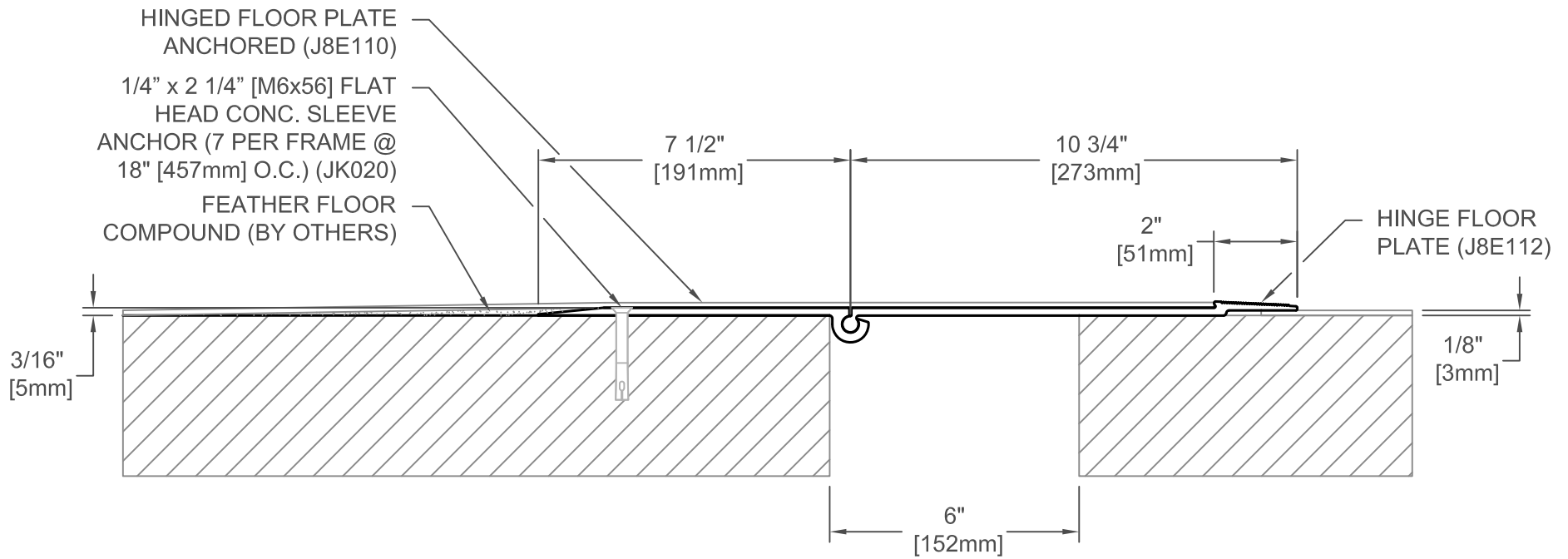
FINISH: MILL
PROJECT:
CUSTOMER:
LOCATION:

APPLICATION-  
FLOOR/FLOOR CONDITION  
FOR 1/8" FLOORING

DATE:	12-6-11
SCALE:	1:4
DOC:	CADJM.052/R3



For More Information Visit: [Inprocorp.com](http://Inprocorp.com)



### 807-A01-150/3

JOINT WIDTH		MOVEMENT ±			
		HORIZONTAL		VERTICAL	
US	mm	US	mm	US	mm
6"	152	3"	76	1"	25

FINISH: MILL

PROJECT:

CUSTOMER:

LOCATION:

APPLICATION-  
FLOOR/FLOOR CONDITION  
FOR 1/8" FLOORING

DATE: 12-6-11

SCALE: 1:4

DOC: CADJM.052/R3

**inpro.**  
For More Information Visit: [Inprocorp.com](http://Inprocorp.com)