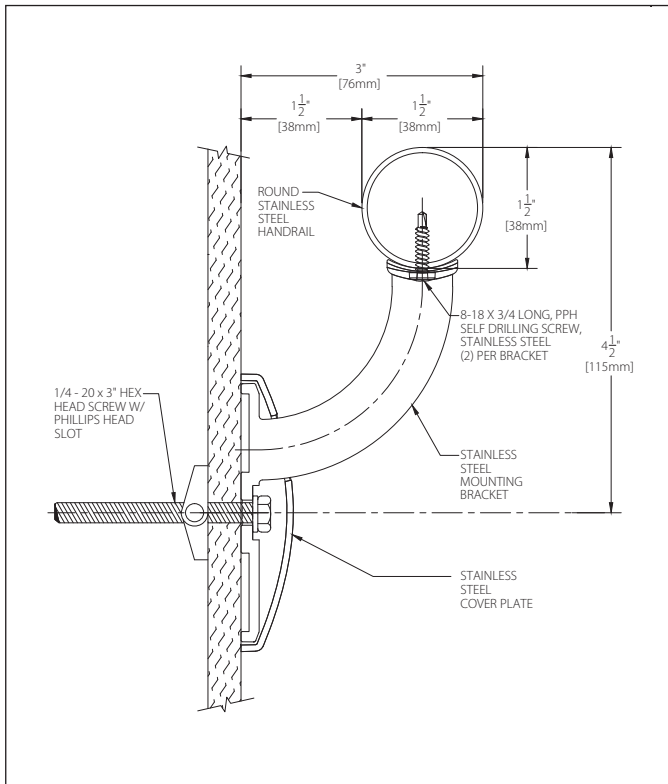


900SSR

Stainless Steel Handrail, Round



- 1.5" (38mm) gripping diameter, system extends 3" (76mm) from the wall.
- Type 304 Stainless Steel Handrail
- Aesthetically pleasing brushed finish
- Durable
- Pre-configured for fast and easy installation
- 1.5" diameter meets ADA requirements
- Non-porous surface does not promote the growth of mold and mildew

IPC.1632/REV.1

900SSR Stainless Steel Handrail, Round

Suggested Specifications

PART 1 - GENERAL

1.01 SUMMARY

- A. Handrail systems for pedestrian safety and wall protection

1.02 SECTIONS INCLUDES

- A. 900SSR Stainless Steel Handrail System, Round

1.03 REFERENCES

- A. American National Standards Institute (ANSI)
B. American with Disabilities Act (ADA)

1.04 SYSTEM DESCRIPTION

- A. Performance Requirements: Provide Stainless Steel handrail systems that conform to the following requirements of regulatory agencies and the quality control of IPC Door and Wall Protection Systems, InPro Corporation.
1. Code Compliance: Provide handrails that comply with all current ANSI and ADA requirements.

1.05 SUBMITTALS

- A. Product Data: Manufacturer's printed product data for each product indicated in this section.
- B. Detail Drawings: Mounting details with appropriate fasteners for specific project substrates.
- C. Samples: Verification samples of handrail, 7" (178mm) long, in full size profiles with mounting brackets of each type indicated.
- D. Manufacturer's Installation Instructions: Printed installation instructions for each handrail.

1.06 DELIVERY, STORAGE AND HANDLING

- A. Deliver materials in unopened factory packaging to the jobsite.
- B. Inspect materials at delivery to assure that specified products have been received.
- C. Store in original packaging in a climate controlled environment away from direct sunlight.

1.07 WARRANTY

- A. Standard IPC limited lifetime warranty against material and manufacturing defects.

PART 2 PRODUCTS

2.01 MANUFACTURERS

- A. Acceptable Manufacturer:
IPC Door and Wall Protection Systems, InPro Corporation
PO Box 406, Muskego, WI 53150 USA;
Telephone 800-543-1729, Fax: 888-715-8407,
Internet address: www.inprocorp.com
- B. Substitutions: Not permitted
- C. Provide all handrails and wall protection from a single manufacturer.

2.02 MANUFACTURED UNITS

- A. 900SSR Metal Handrail System
1. 900SSR Handrail, 1-1/2" (38mm) gripping diameter, system extends 3" (76mm) from the wall. System includes 1-1/2" (38mm) diameter stainless steel top rail with stainless steel brackets

2.03 MATERIALS

- A. Stainless Steel
1. Continuous stainless steel rail of 304 alloy with a number 4 satin finish (type 304 meets NSF Standard 51).
2. Stainless Steel: Stainless Steel Brackets shall be made of type 201SS with type 304 stainless steel flange cover (type 304 meets NSF Standard 51).

2.04 COMPONENTS

- A. Handrail returns, outside corners and inside corners shall be stainless steel and a finish to match handrails.
- B. Stainless steel brackets shall be fabricated from cast stainless steel with a brushed finish.
- C. Fasteners: All mounting systems accessories appropriate for substrates indicated on the drawings shall be provided.

2.05 FINISHES

- A. Handrail: Stainless steel rail of 304 alloy with a # 4 satin finish.
- B. Stainless steel brackets shall have a #4 satin finish.

PART 3 EXECUTION

3.01 INSTALLERS

- A. Installer should be familiar with the installation of finished stainless steel products.

3.02 EXAMINATION

- A. Examine areas and conditions in which handrail will be installed.
1. Complete all finishing operations, including painting, before beginning installation of handrail system materials.
2. Wall surface shall be dry and free from dirt, grease and loose paint.

3.03 PREPARATION

- A. General: Prior to installation, clean substrate to remove dust, debris and loose particles.

3.04 INSTALLATION

- A. General: Locate the handrail as indicated on the approved detail drawing for the appropriate substrate and in compliance with the IPC installation instructions. Install handrail level and plumb at the height indicated on the drawings.

3.05 CLEANING

- A. At completion of the installation, clean surfaces in accordance with the IPC clean-up and maintenance instructions.