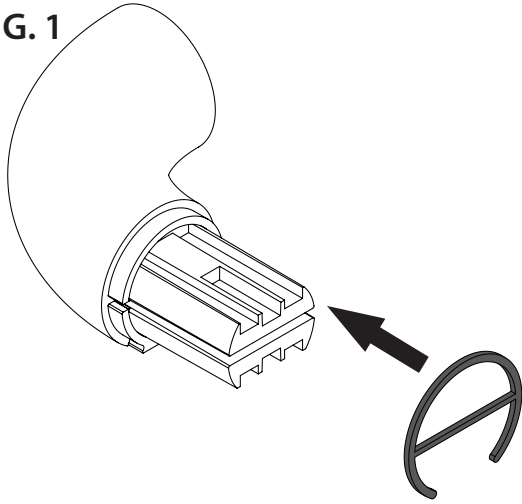


# Installation Instructions

## 910 Handrail Reveal

FIG. 1

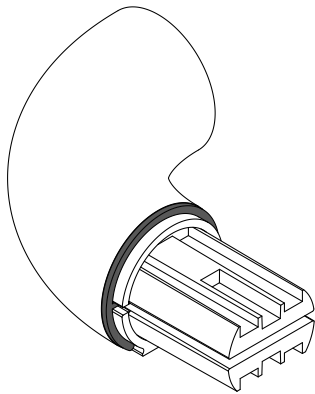


**Please read all instructions before installing handrail.**

**Material must be stored, installed and used in environmentally controlled conditions.**

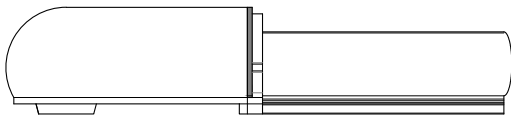
1. Slip reveal over locator surface on Returns, Inside and Outside Corners. See Fig. 1 & 2.

FIG. 2



2. Attach Returns and Corners to retainer, leaving 1/16" [2mm] gap between Return/Corner and retainer allowing for adjustment. See Fig. 3.  
Note: Cut cover to length between the reveal pieces on the returns and/or corners.

FIG. 3



IPC.2129/REV.1