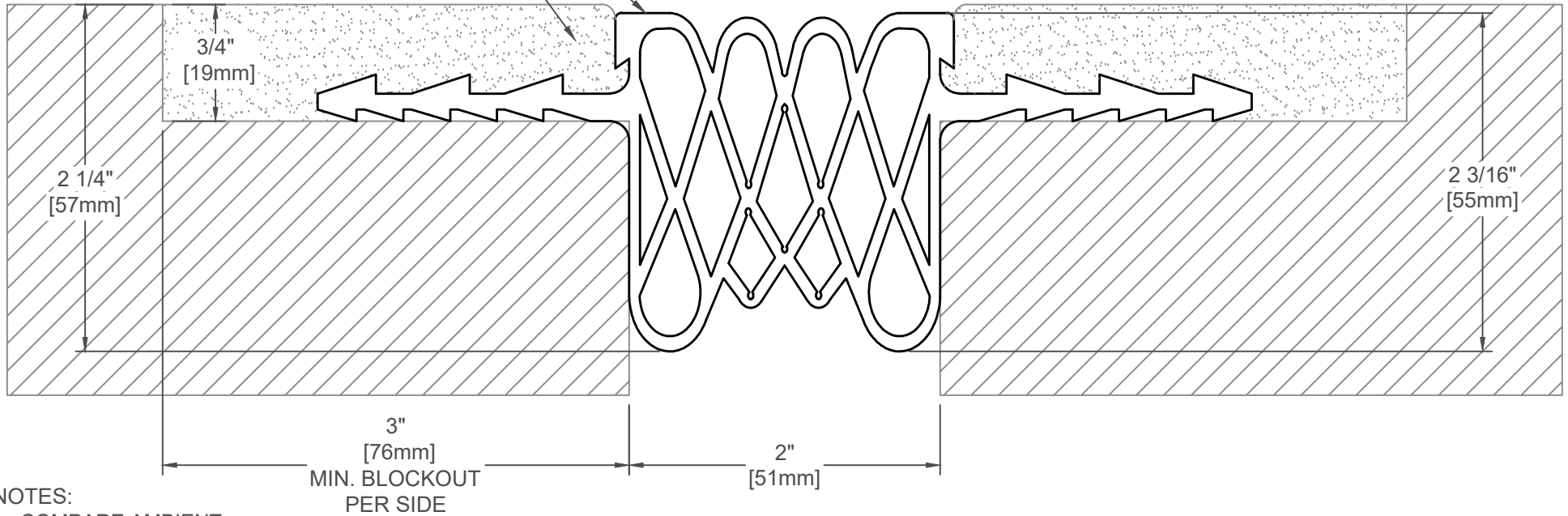


CONT. WINGED SANTOPRENE  
COMPRESSION SEAL  
ELASTOMERIC HEADER



**NOTES:**

1. COMPARE AMBIENT TEMPERATURE CHARTS WITHIN INSTALLATION INSTRUCTIONS AGAINST JOINT DIMENSIONS IN THE FIELD PRIOR TO ORDERING PRODUCT.
2. BLOCKOUT DIMENSIONS PROVIDED CORRELATE TO HEADER COVERAGE. IF FIELD CONDITIONS DIFFER- CONTACT YOUR JOINTMASTER REPRESENTATIVE .

SYSTEM	NOMINAL JOINT WIDTH INSTALL RANGE		THERMAL MAXIMUM JOINT WIDTH		SEISMIC MAXIMUM JOINT WIDTH		LATERAL SHEAR TOTAL ABILITY ±		H1 SEAL HEIGHT		H2 INSTALLED DEPTH	
	US	mm	US	mm	US	mm	US	mm	US	mm	US	mm
CR-200S	1 5/8"-2 3/8"	41-60	2 1/2"	64	3"	75	1"	25	2 3/16"	56	2 3/8"	60

FINISH: N/A

PROJECT:

CUSTOMER:

LOCATION:

APPLICATION -  
ARCHITECTURAL COMPRESSION SEAL - EXTERIOR/OPEN STRUCTURE

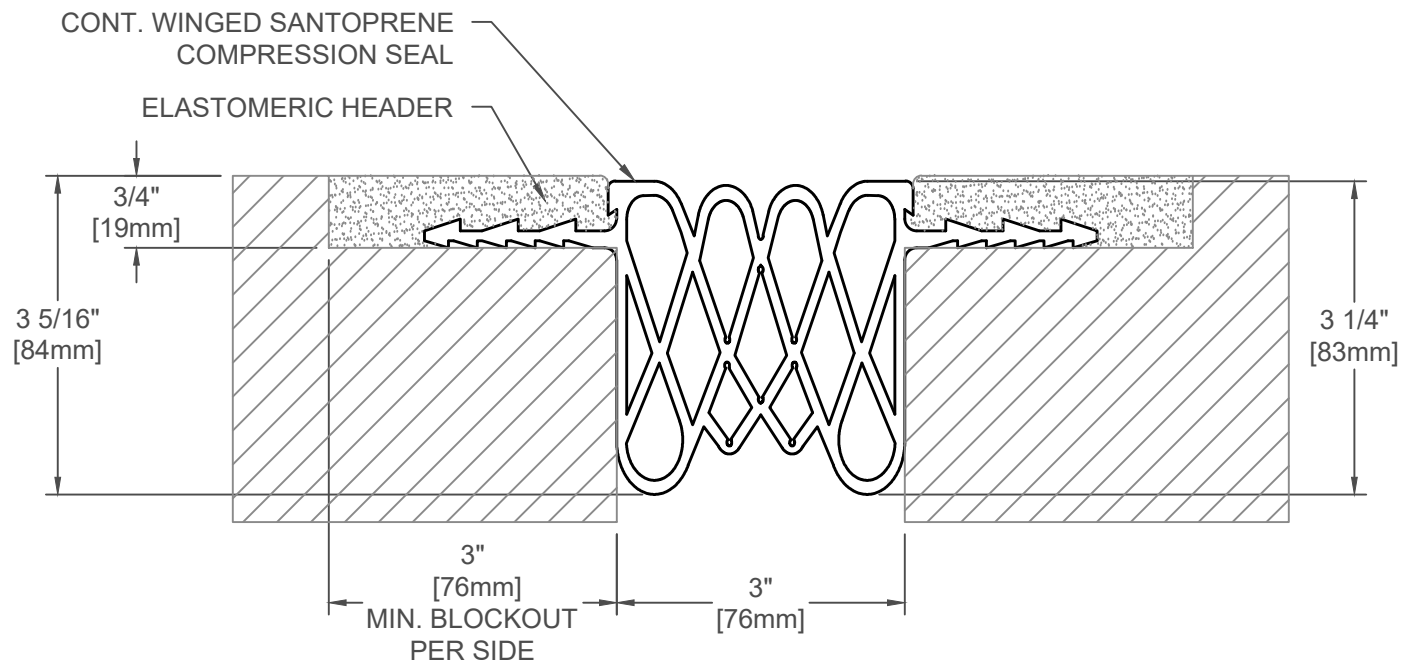
DATE: 6-24-13

SCALE: 1:1

DOC: CADJM.219/R3



For More Information Visit: [Inprocorp.com](http://Inprocorp.com)



- NOTES:
1. COMPARE AMBIENT TEMPERATURE CHARTS WITHIN INSTALLATION INSTRUCTIONS AGAINST JOINT DIMENSIONS IN THE FIELD PRIOR TO ORDERING PRODUCT.
  2. BLOCKOUT DIMENSIONS PROVIDED CORRELATE TO HEADER COVERAGE. IF FIELD CONDITIONS DIFFER- CONTACT YOUR JOINTMASTER REPRESENTATIVE .

SYSTEM	NOMINAL JOINT WIDTH INSTALL RANGE		THERMAL MAXIMUM JOINT WIDTH		SEISMIC MAXIMUM JOINT WIDTH		LATERAL SHEAR TOTAL ABILITY ±		H1 SEAL HEIGHT		H2 INSTALLED DEPTH	
	US	mm	US	mm	US	mm	US	mm	US	mm	US	mm
CR-300S	2 1/2"-3 3/8"	63-86	3 3/4"	95	4 1/2"	114	1 1/2"	38	3 5/16"	84	3 1/2"	89

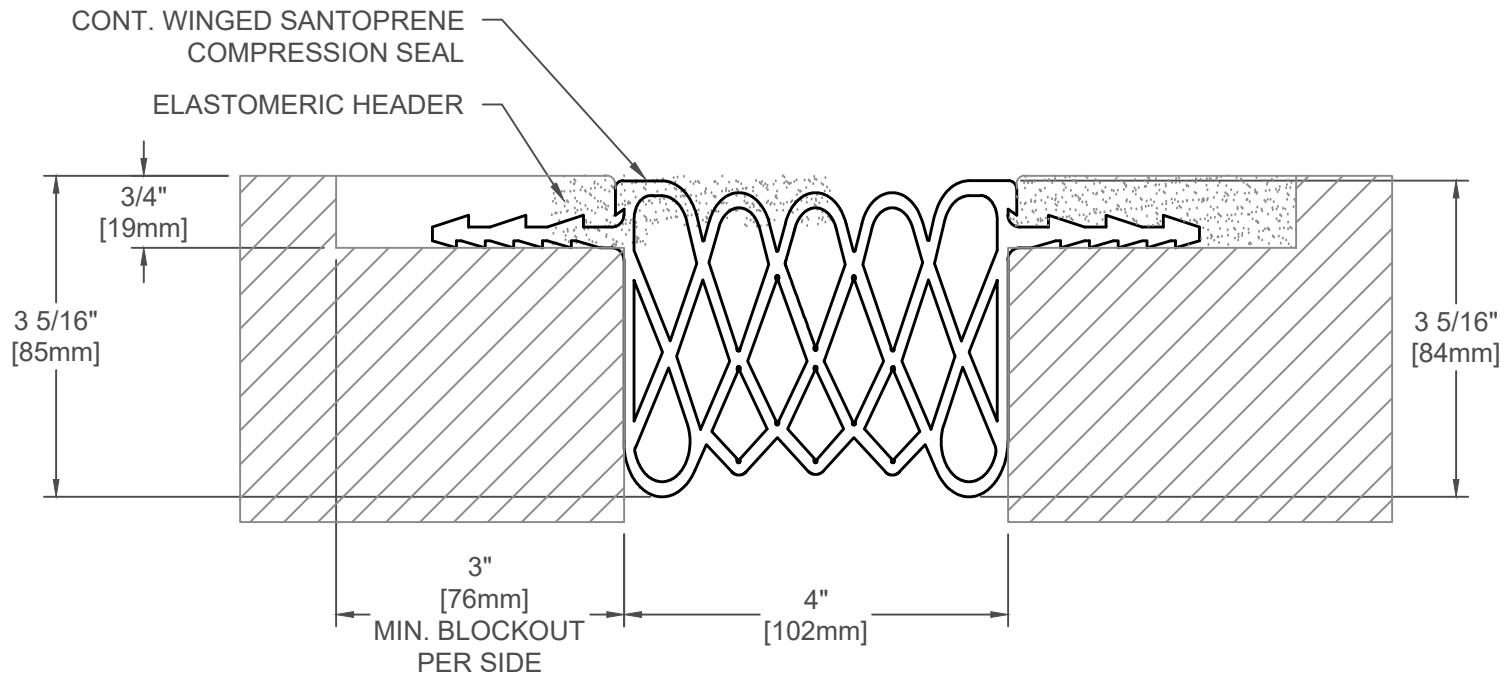
FINISH: N/A
PROJECT:
CUSTOMER:
LOCATION:

APPLICATION -  
ARCHITECTURAL COMPRESSION SEAL - EXTERIOR/OPEN STRUCTURE

DATE:	7-10-19
SCALE:	1:2
DOC:	CADJM.219/R3



For More Information Visit: [Inprocorp.com](http://Inprocorp.com)



NOTES:  
 1. COMPARE AMBIENT TEMPERATURE CHARTS WITHIN INSTALLATION INSTRUCTIONS AGAINST JOINT DIMENSIONS IN THE FIELD PRIOR TO ORDERING PRODUCT.  
 2. BLOCKOUT DIMENSIONS PROVIDED CORRELATE TO HEADER COVERAGE. IF FIELD CONDITIONS DIFFER- CONTACT YOUR JOINTMASTER REPRESENTATIVE .

SYSTEM	NOMINAL JOINT WIDTH INSTALL RANGE		THERMAL MAXIMUM JOINT WIDTH		SEISMIC MAXIMUM JOINT WIDTH		LATERAL SHEAR TOTAL ABILITY ±		H1 SEAL HEIGHT		H2 INSTALLED DEPTH	
	US	mm	US	mm	US	mm	US	mm	US	mm	US	mm
CR-400S	3 1/2"-4 3/8"	89-111	5"	127	6"	152	2"	51	3 5/16"	84	3 1/2"	89

FINISH: N/A

PROJECT:

CUSTOMER:

LOCATION:

APPLICATION - ARCHITECTURAL COMPRESSION SEAL - EXTERIOR/OPEN STRUCTURE

DATE: 7-10-19

SCALE: 1:2

DOC: CADJM.219/R3

