

BLOCKOUT DIM NOTE: BLOCKOUT DIMENSION PROVIDED ARE RECOMMENDED MINIMUM DIMENSIONS AND RELATE DIRECTLY TO HEADED COVERAGE. IF BLOCKOUT DIMENSIONS ARE GREATER THAN RECOMMENDED DIMENSIONS CONTACT YOUR JOINTMASTER REPRESENTATIVE FOR ADDITIONAL HEADER.

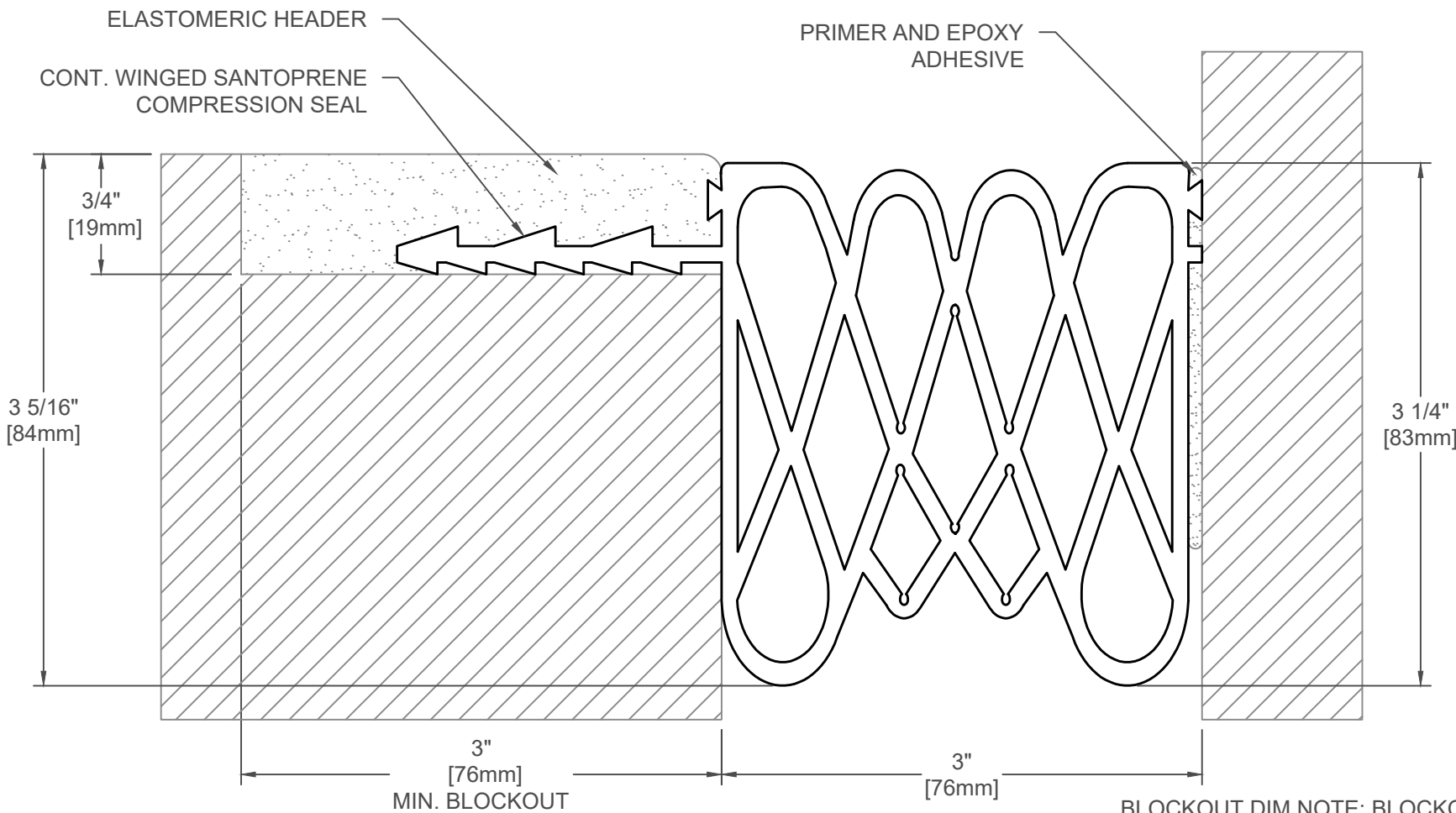
SYSTEM	JOINT WIDTH		H1 SEAL HEIGHT		H2 SEAL DEPTH		MOVEMENT ±				
	US	mm	US	mm	US	mm	MINIMUM		MAXIMUM		
US	mm	US	mm	US	mm	US	mm	US	mm	US	mm
CR-200S	2"	51	2 3/16"	56	2 1/4"	59	1"	25	3"	75	

FINISH: N/A
PROJECT:
CUSTOMER:
LOCATION:

APPLICATION -
ARCHITECTURAL COMPRESSION SEAL - EXTERIOR/OPEN STRUCTURE

DATE:	2/1/17
SCALE:	NTS
DOC:	CADJM.186/R2





BLOCKOUT DIM NOTE: BLOCKOUT DIMENSION PROVIDED ARE RECOMMENDED MINIMUM DIMENSIONS AND RELATE DIRECTLY TO HEADED COVERAGE. IF BLOCKOUT DIMENSIONS ARE GREATER THAN RECOMMENDED DIMENSIONS CONTACT YOUR JOINTMASTER REPRESENTATIVE FOR ADDITIONAL HEADER.

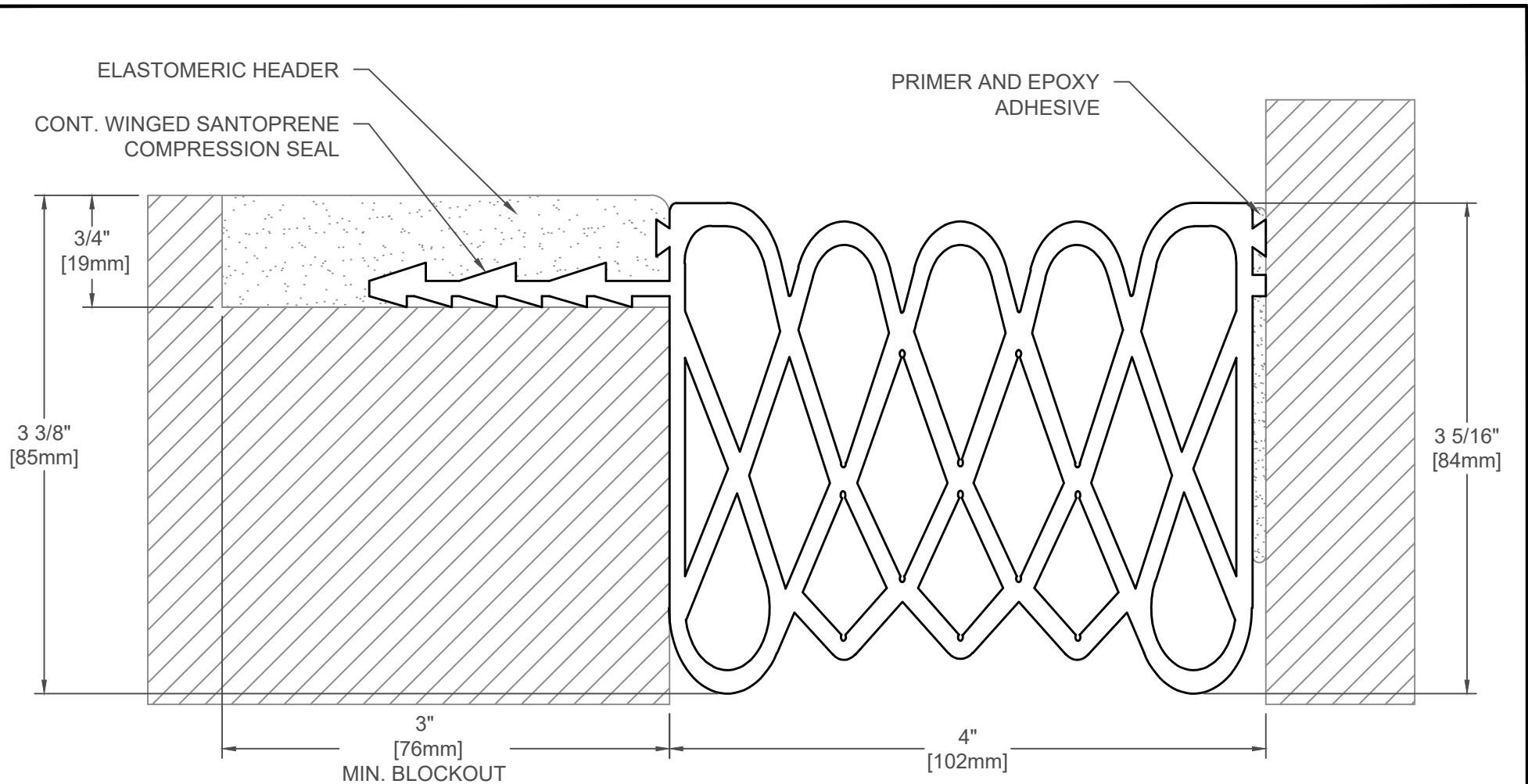
SYSTEM	JOINT WIDTH		H1 SEAL HEIGHT		H2 SEAL DEPTH		MOVEMENT ±			
	US	mm	US	mm	US	mm	MINIMUM		MAXIMUM	
							US	mm	US	mm
CR-300S	3"	76	3 1/4"	83	3 5/16"	84	1 1/2"	38	4 1/2"	114

FINISH: N/A
PROJECT:
CUSTOMER:
LOCATION:

APPLICATION -
ARCHITECTURAL COMPRESSION SEAL - EXTERIOR/OPEN STRUCTURE

DATE:	2/1/17
SCALE:	NTS
DOC:	CADJM.186/R2





BLOCKOUT DIM NOTE: BLOCKOUT DIMENSION PROVIDED ARE RECOMMENDED MINIMUM DIMENSIONS AND RELATE DIRECTLY TO HEADED COVERAGE. IF BLOCKOUT DIMENSIONS ARE GREATER THAN RECOMMENDED DIMENSIONS CONTACT YOUR JOINTMASTER REPRESENTATIVE FOR ADDITIONAL HEADER.

SYSTEM	JOINT WIDTH		H1 SEAL HEIGHT		H2 SEAL DEPTH		MOVEMENT ±			
	US	mm	US	mm	US	mm	MINIMUM		MAXIMUM	
							US	mm	US	mm
CR-400S	4"	102	3 5/16"	84	3 5/16"	84	2"	51	6"	152

FINISH: N/A

PROJECT:

CUSTOMER:

LOCATION:

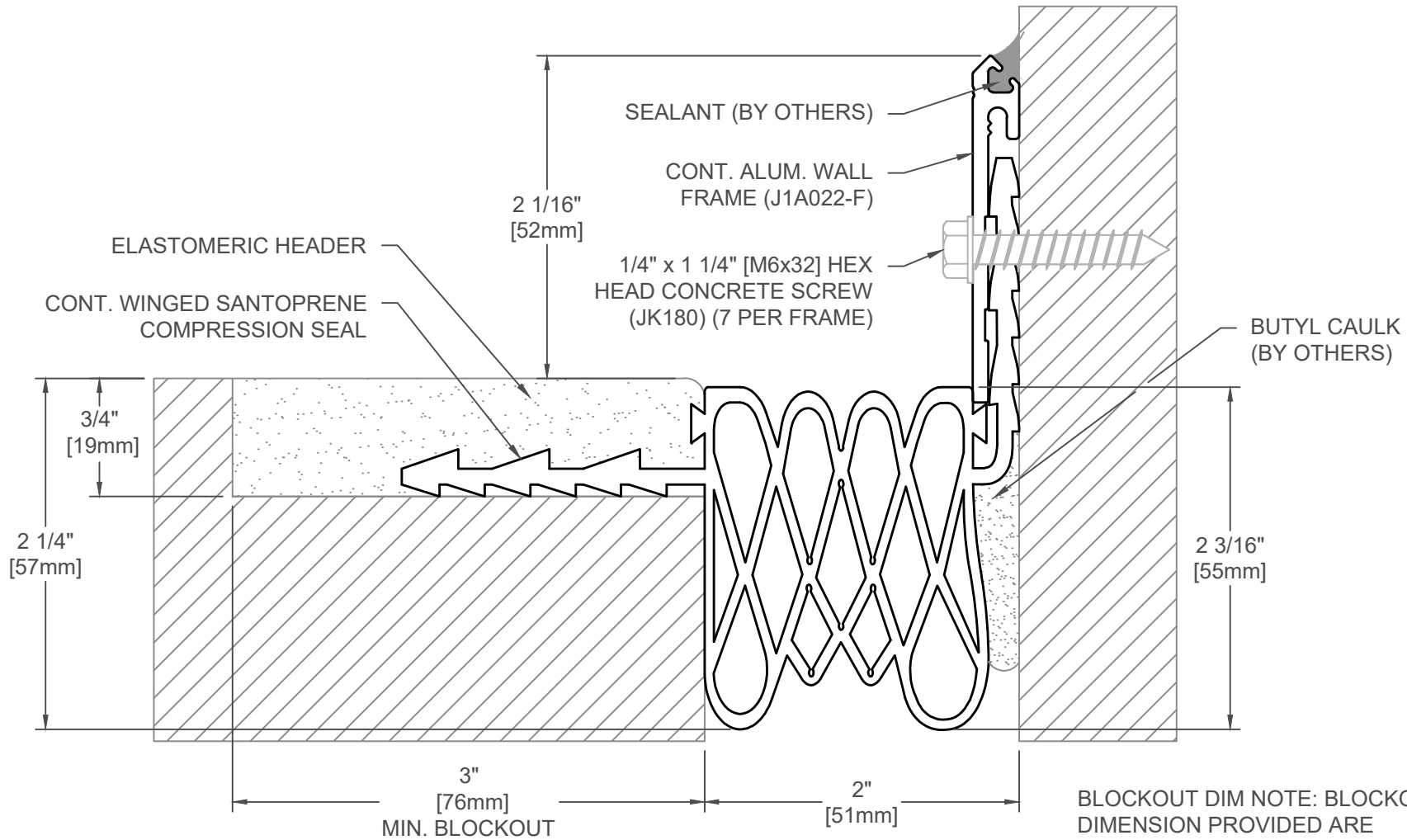
APPLICATION -
ARCHITECTURAL COMPRESSION SEAL - EXTERIOR/OPEN STRUCTURE

DATE: 2/1/17

SCALE: NTS

DOC: CADJM.186/R2





BLOCKOUT DIM NOTE: BLOCKOUT DIMENSION PROVIDED ARE RECOMMENDED MINIMUM DIMENSIONS AND RELATE DIRECTLY TO HEADED COVERAGE. IF BLOCKOUT DIMENSIONS ARE GREATER THAN RECOMMENDED DIMENSIONS CONTACT YOUR JOINTMASTER REPRESENTATIVE FOR ADDITIONAL HEADER.

SYSTEM	JOINT WIDTH		H1 SEAL HEIGHT		H2 SEAL DEPTH		MOVEMENT ±			
	US	mm	US	mm	US	mm	MINIMUM	MAXIMUM	MINIMUM	MAXIMUM
							US	mm	US	mm
CR-200S	2"	51	2 3/16"	56	2 1/4"	59	1"	25	3"	75

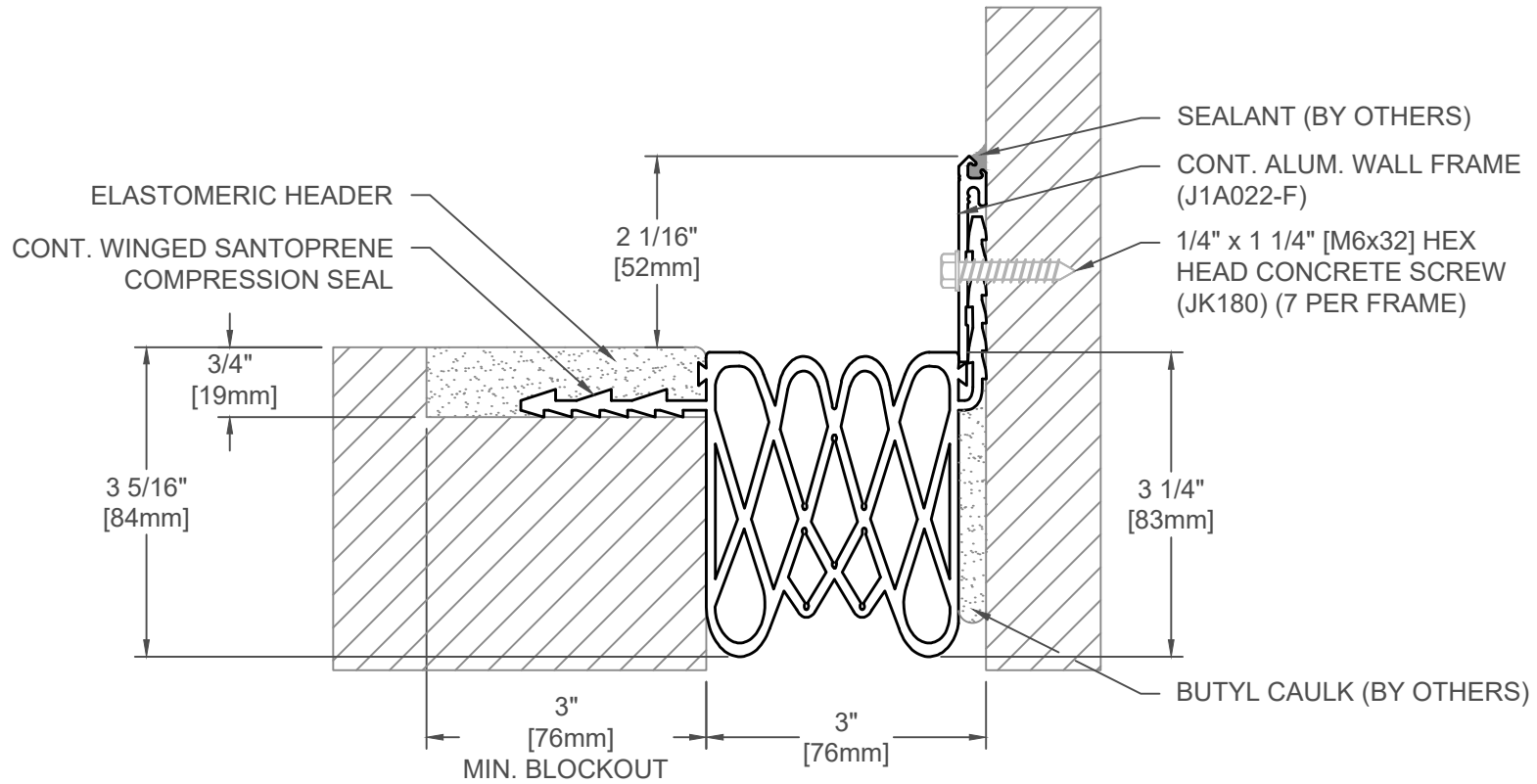
FINISH: N/A
PROJECT:
CUSTOMER:
LOCATION:

APPLICATION -
ARCHITECTURAL COMPRESSION SEAL - EXTERIOR/OPEN STRUCTURE

DATE:	2/1/17
SCALE:	NTS
DOC:	CADJM.186/R2



For More Information Visit: Inprocorp.com



SEALANT (BY OTHERS)
 CONT. ALUM. WALL FRAME (J1A022-F)
 1/4" x 1 1/4" [M6x32] HEX HEAD CONCRETE SCREW (JK180) (7 PER FRAME)
 BUTYL CAULK (BY OTHERS)

BLOCKOUT DIM NOTE: BLOCKOUT DIMENSION PROVIDED ARE RECOMMENDED MINIMUM DIMENSIONS AND RELATE DIRECTLY TO HEADED COVERAGE. IF BLOCKOUT DIMENSIONS ARE GREATER THAN RECOMMENDED DIMENSIONS CONTACT YOUR JOINTMASTER REPRESENTATIVE FOR ADDITIONAL HEADER.

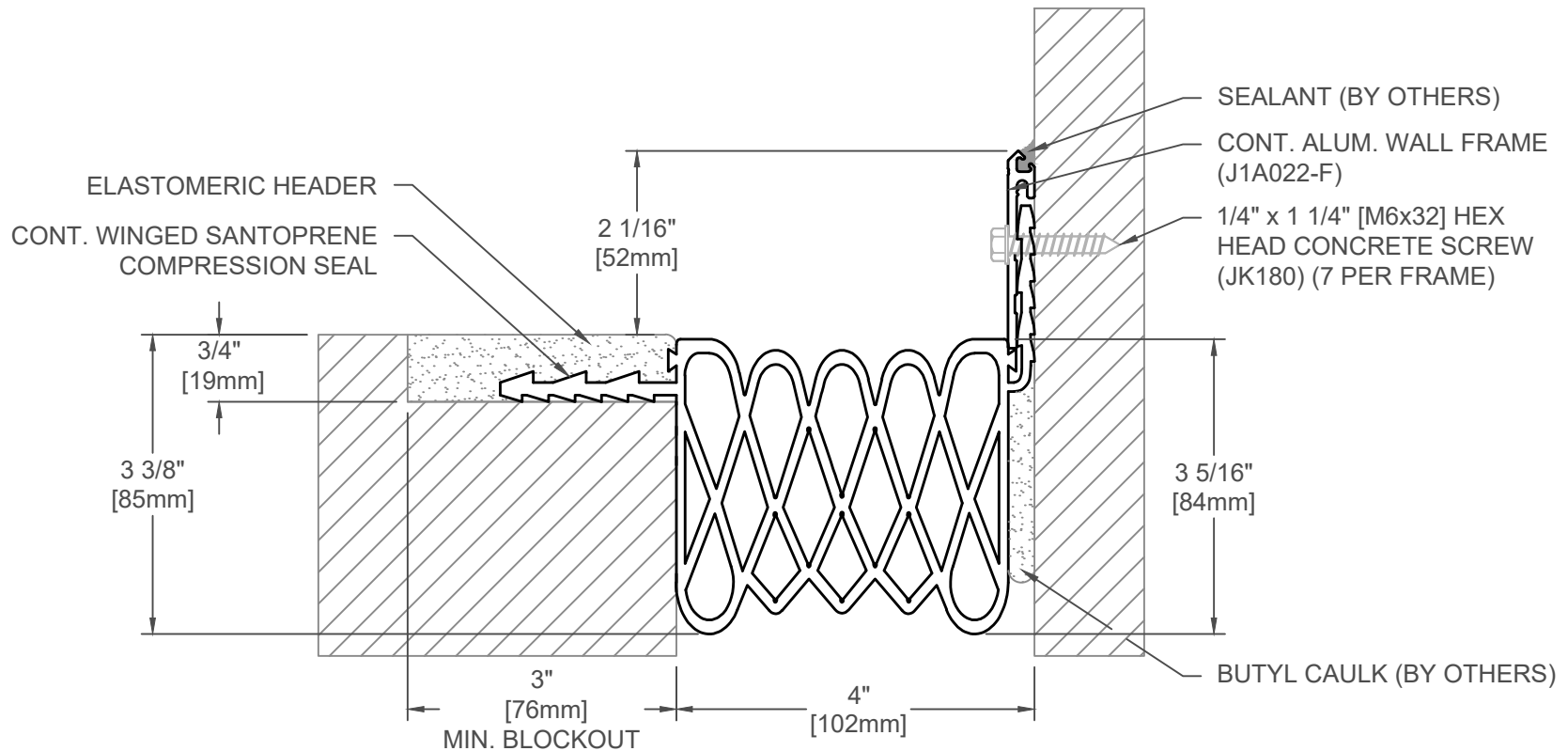
SYSTEM	JOINT WIDTH		H1 SEAL HEIGHT		H2 SEAL DEPTH		MOVEMENT ±			
	US	mm	US	mm	US	mm	MINIMUM		MAXIMUM	
							US	mm	US	mm
CR-300S	3"	76	3 1/4"	83	3 5/16"	84	1 1/2"	38	4 1/2"	114

FINISH: N/A
PROJECT:
CUSTOMER:
LOCATION:

APPLICATION -
 ARCHITECTURAL COMPRESSION SEAL - EXTERIOR/OPEN STRUCTURE

DATE:	2/1/17
SCALE:	NTS
DOC:	CADJM.186/R2

inpro.
 For More Information Visit: Inprocorp.com



BLOCKOUT DIM NOTE: BLOCKOUT DIMENSION PROVIDED ARE RECOMMENDED MINIMUM DIMENSIONS AND RELATE DIRECTLY TO HEADED COVERAGE. IF BLOCKOUT DIMENSIONS ARE GREATER THAN RECOMMENDED DIMENSIONS CONTACT YOUR JOINTMASTER REPRESENTATIVE FOR ADDITIONAL HEADER.

SYSTEM	JOINT WIDTH		H1 SEAL HEIGHT		H2 SEAL DEPTH		MOVEMENT ±			
	US	mm	US	mm	US	mm	MINIMUM	MAXIMUM	US	mm
CR-400S	4"	102	3 5/16"	84	3 5/16"	84	2"	51	6"	152

FINISH: N/A
PROJECT:
CUSTOMER:
LOCATION:

APPLICATION -
ARCHITECTURAL COMPRESSION SEAL - EXTERIOR/OPEN STRUCTURE

DATE:	2/1/17
SCALE:	NTS
DOC:	CADJM.186/R2

For More Information Visit: Inprocorp.com