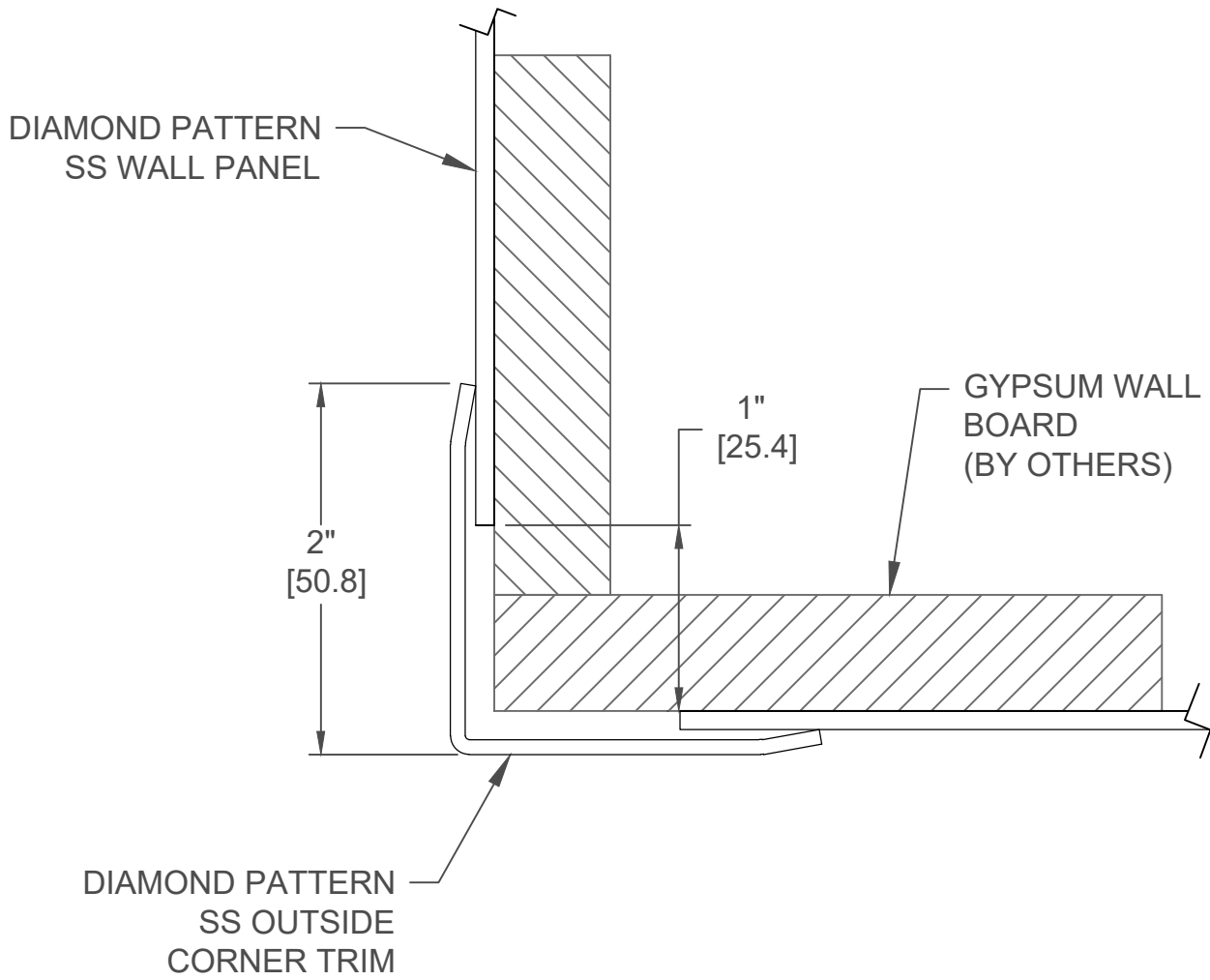



PROJECT:	STAINLESS STEEL WALL DIAMOND PANEL TRIM (INSIDE CORNER)	DATE:	12/22/16	inpro. <small>For More Information Visit: Inprocorp.com</small>
CUSTOMER:		SCALE:	1:1	
LOCATION:		DOC:	CADIPC.322/R1	



PROJECT:	STAINLESS STEEL WALL DIAMOND PANEL TRIM (OUTSIDE CORNER)	DATE:	12/22/16	FINISH:
CUSTOMER:		SCALE:	1:1	 For More Information Visit: Inprocorp.com
LOCATION:		DOC:	CADIPC.322/R1	