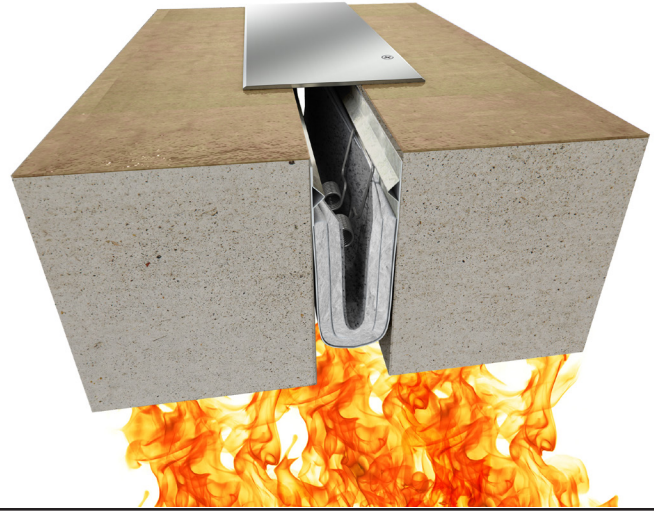


Fireline™ F140

Fire Barrier Systems - Fire Blanket
Floors and Walls



Movement Rating ±50%

Product Guide



Thermal



Exterior



Interior

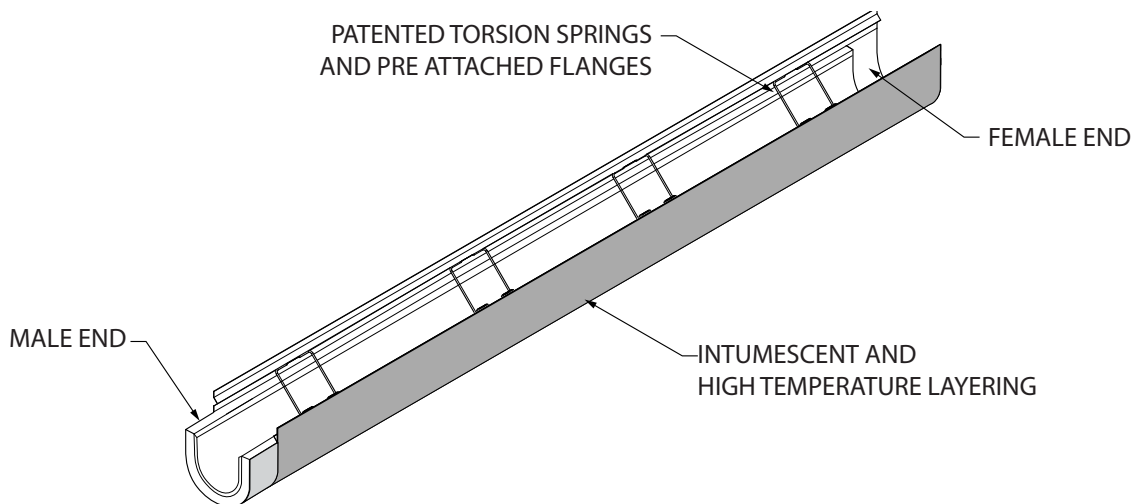


Fire Rated
Option



Vapor Barrier
Option

- ▶ Passive Fire barrier system for 1 and 2 Hr. Fire Ratings.
- ▶ Tested in accordance with:
 - UL 2079/ ULC S-115 "FTH" / EN 1366-4 / BS 476 (FTH: Rating Fire, Temperature and Hose)
 - ASTM-E119/E1399/E1966
- ▶ For use in horizontal and vertical expansion joints ranging 3-4" (75-100mm) in size. 1" (25mm) system available for horizontal expansion joint only.
- ▶ 50%+- seismic movement rating
- ▶ Patented pre-attached flanges utilizing adjustable compression springs for consistent outward pressure during joint cycling.
- ▶ Sections come with factory made male to female ends, eliminating the need for complex field manipulation at seams (see image below)
- ▶ No mechanical fastening required for installation
- ▶ Product utilizes a combination of a tough outer wall for transport & installation protection along with layers of intumescences and high temperature insulation to resist toxic smoke and fire.
- ▶ Product mounts against the inside face of the expansion joint. This eases installation of any coverplate or chase wall system allowing for a more consistent finish.
- ▶ System sold in 6 1/2' (2m) lengths

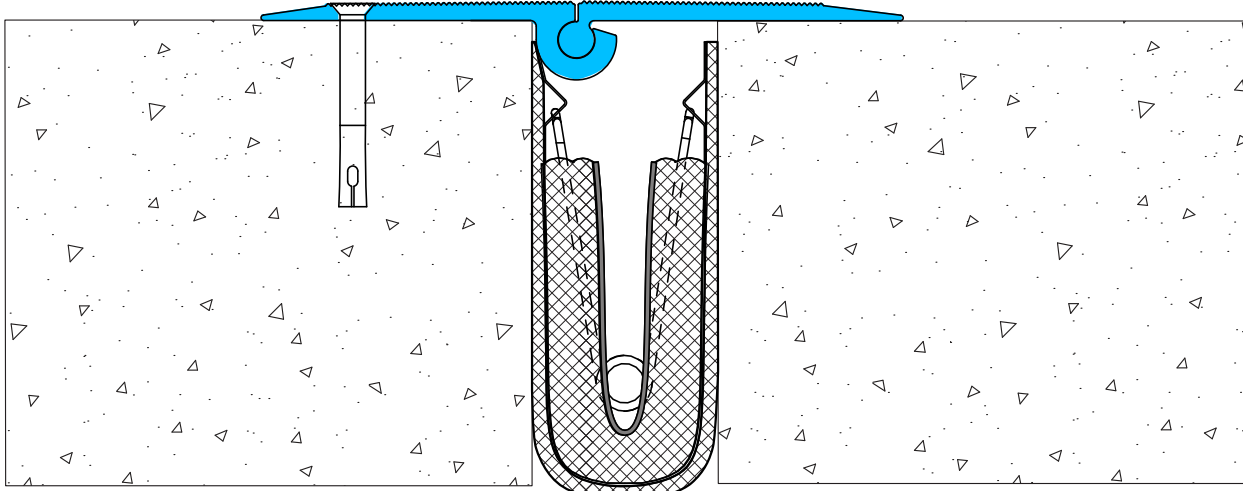


IPC.3124/Rev.1

Fireline™ F140

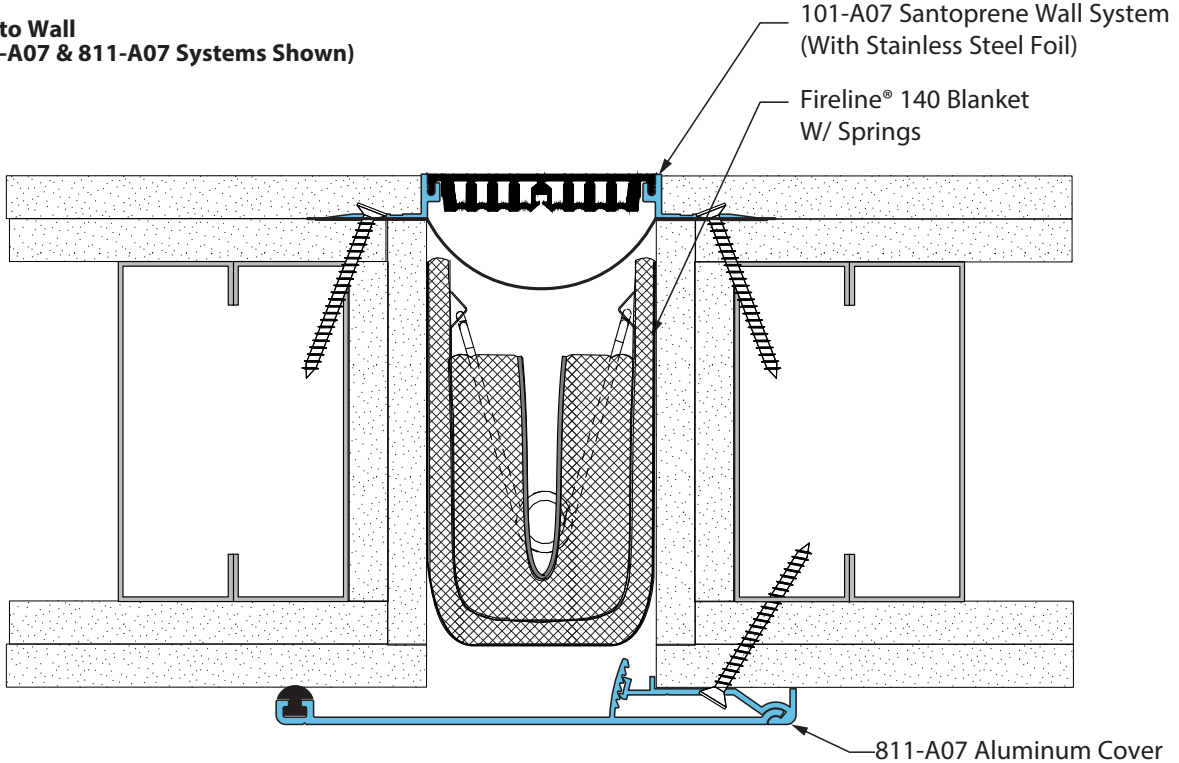
Fire Barrier Systems

Floor to Floor (806-A01 System Shown)



Fireline® 140 Blanket
W/ Springs

Wall to Wall (101-A07 & 811-A07 Systems Shown)



101-A07 Santoprene Wall System
(With Stainless Steel Foil)

Fireline® 140 Blanket
W/ Springs

811-A07 Aluminum Cover