

Part # Designation

Movement % <u>FL-</u> =50% <u>FL80-</u> =80%	HR Rating <u>1,2</u> , or <u>3</u>	Flange <u>Top</u> <u>Inside</u> <u>Bottom</u>	Type <u>Mount-</u> <u>Waterguard-</u>	Standard Joint Sizes <u>2</u> thru <u>24</u>	Project Condition <u>FL</u> = Floor/Floor <u>FW</u> = Floor/Wall <u>WL</u> = Wall/Wall <u>WC</u> = Wall/Corner
Example FL-	2	T	M-	4	FL

RATED SUBSTRATE MUST BE IN COMPLIANCE WITH UL ASSEMBLY REQUIREMENTS (BY OTHERS)

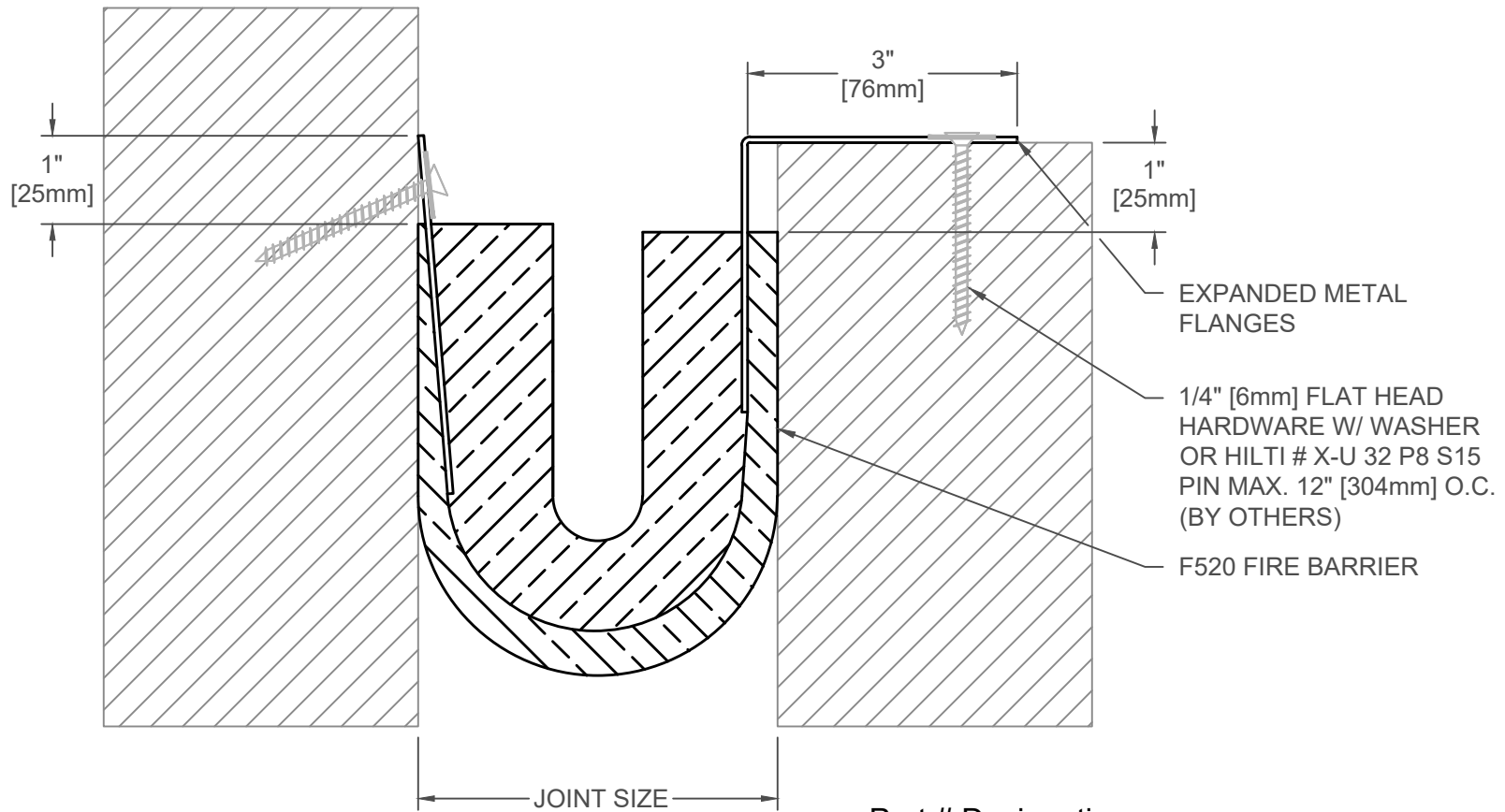
FINISH: N/A
PROJECT:
CUSTOMER:
LOCATION:

APPLICATION - F520 FIRE BLANKET
TOP MOUNT FLOOR/FLOOR & WALL/WALL

DATE:	1-27-15
SCALE:	1:2
DOC:	CADJM.168/R3



For More Information Visit: Inprocorp.com



Part # Designation

Movement % <u>FL-</u> =50% <u>FL80-</u> =80%	HR Rating <u>1,2</u> , or <u>3</u>	Flange <u>Top</u> <u>Inside</u> <u>Bottom</u>	Type <u>Mount-</u> <u>Waterguard-</u>	Standard Joint Sizes <u>2</u> thru <u>24</u>	Project Condition <u>FL</u> = Floor/Floor <u>FW</u> = Floor/Wall <u>WL</u> = Wall/Wall <u>WC</u> = Wall/Corner
Example FL-	2	T	M-	4	FW

RATED SUBSTRATE MUST BE IN COMPLIANCE WITH UL ASSEMBLY REQUIREMENTS (BY OTHERS)

FINISH: N/A

PROJECT:

CUSTOMER:

LOCATION:

APPLICATION - F520 FIRE BLANKET
TOP MOUNT FLOOR/WALL & WALL/CORNER

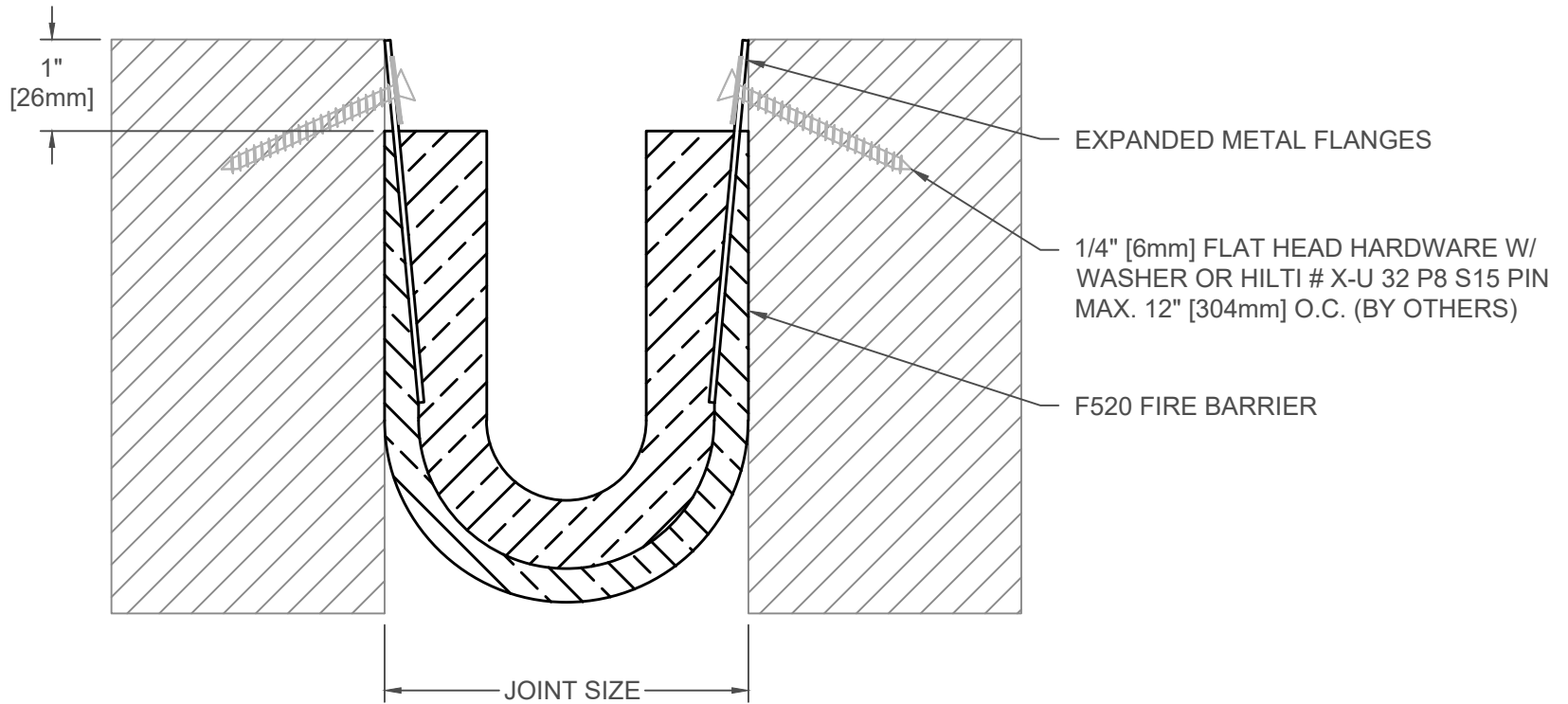
DATE: 1-27-15

SCALE: 1:2

DOC: CADJM.168/R3



For More Information Visit: Inprocorp.com



Part # Designation

Movement % FL- =50% FL80- =80%	HR Rating 1, 2, or 3	Flange Top Inside Bottom	Type Mount- Waterguard-	Standard Joint Sizes 2 thru 24	Project Condition FL= Floor/Floor FW= Floor/Wall WL= Wall/Wall WC= Wall/Corner
Example FL-	2	I	M-	4	FL

RATED SUBSRATE MUST BE IN COMPLIANCE WITH UL ASSEMBLY REQUIREMENTS (BY OTHERS)

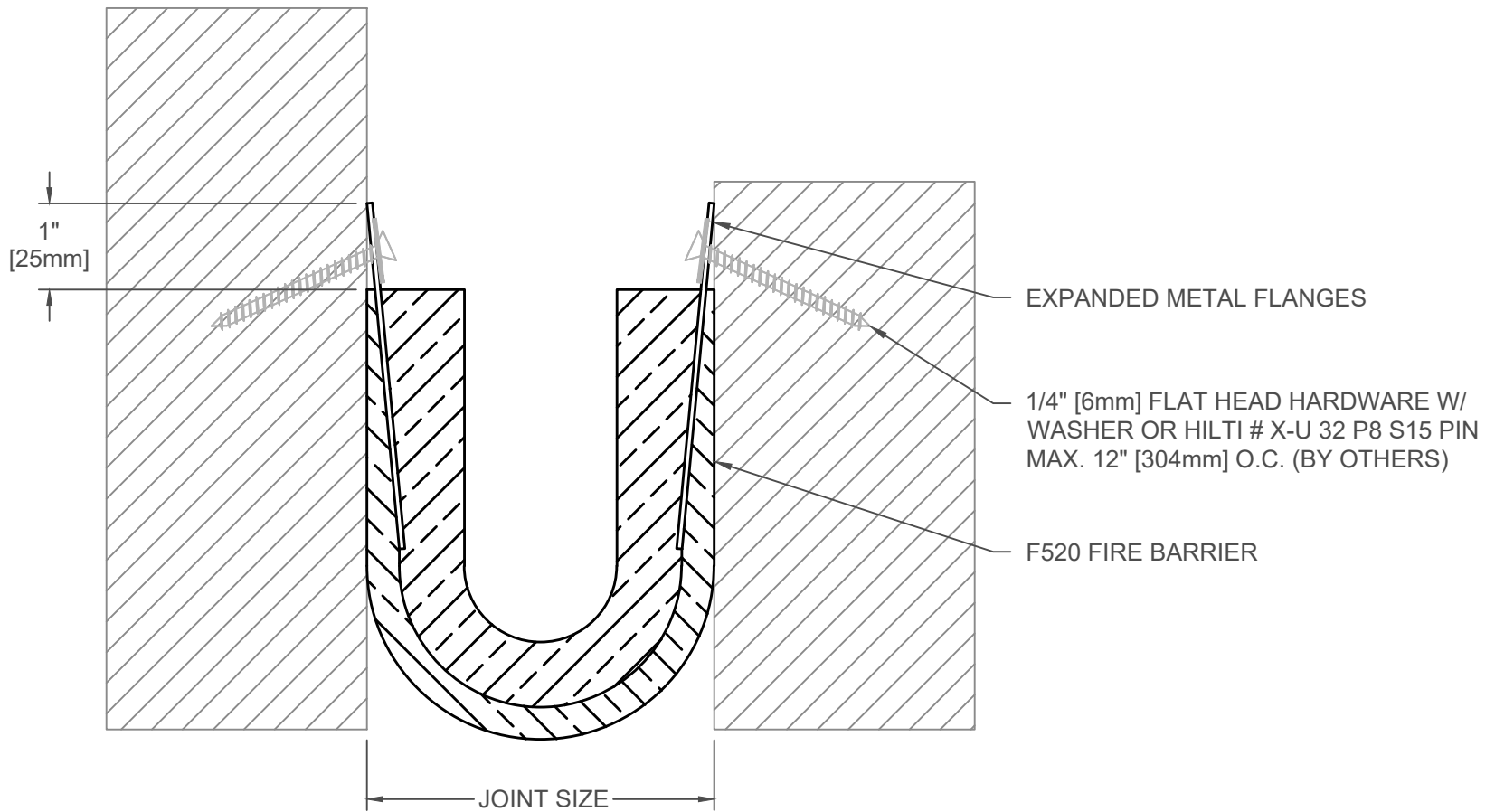
FINISH: N/A
PROJECT:
CUSTOMER:
LOCATION:

APPLICATION - F520 FIRE BLANKET
INSIDE MOUNT FLOOR/FLOOR & WALL/WALL

DATE:	1-27-15
SCALE:	1:2
DOC:	CADJM.168/R3



For More Information Visit: Inprocorp.com



Part # Designation

Movement % FL- =50% FL80- =80%	HR Rating 1, 2, or 3	Flange Top Inside Bottom	Type Mount- Waterguard-	Standard Joint Sizes 2 thru 24	Project Condition FL= Floor/Floor FW= Floor/Wall WL= Wall/Wall WC= Wall/Corner
Example FL-	2	I	M-	4	FW

RATED SUBSTRATE MUST BE IN COMPLIANCE WITH UL ASSEMBLY REQUIREMENTS (BY OTHERS)

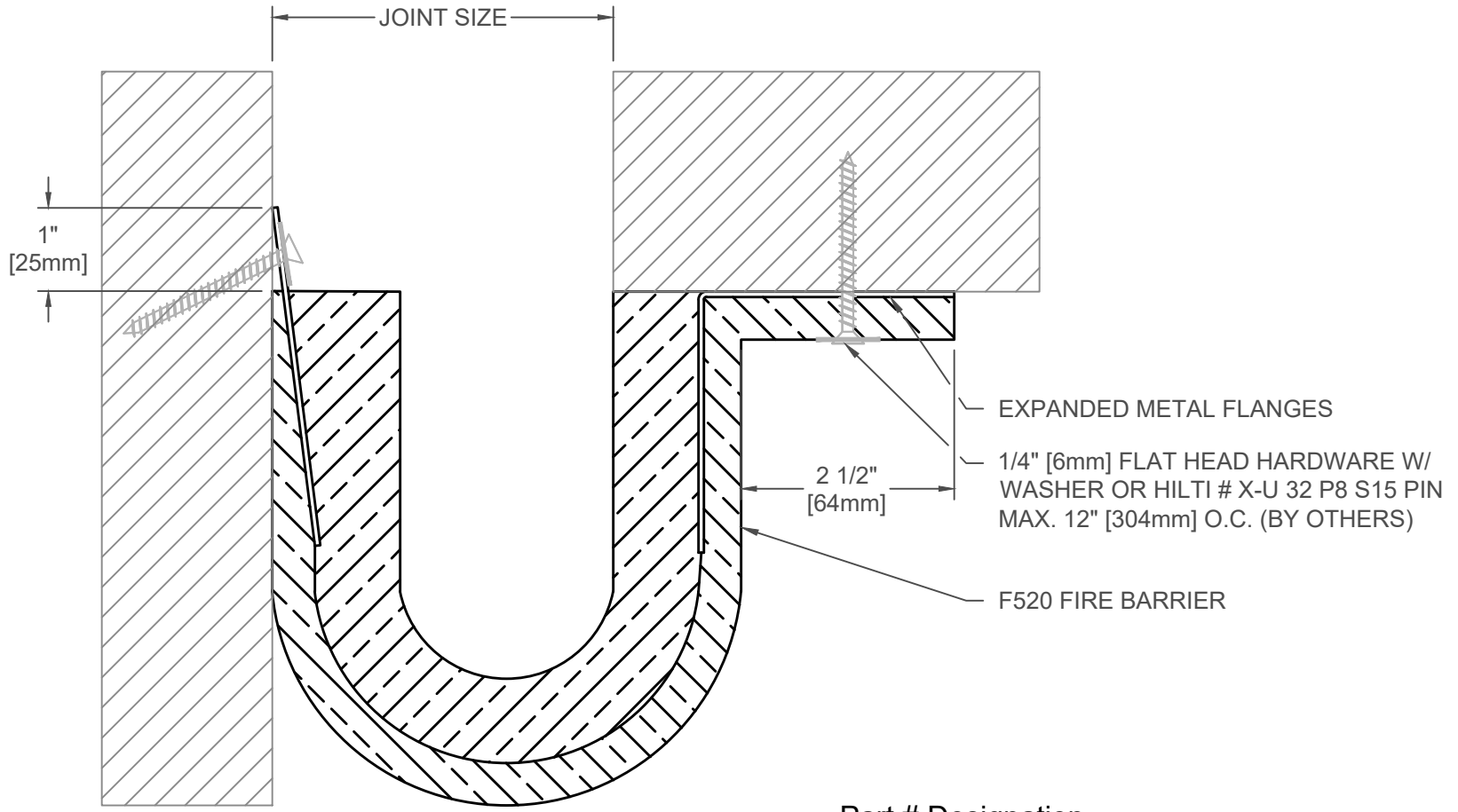
FINISH: N/A
PROJECT:
CUSTOMER:
LOCATION:

APPLICATION - F520 FIRE BLANKET
INSIDE MOUNT FLOOR/WALL & WALL/CORNER

DATE:	1-27-15
SCALE:	1:2
DOC:	CADJM.168/R3



For More Information Visit: Inprocorp.com



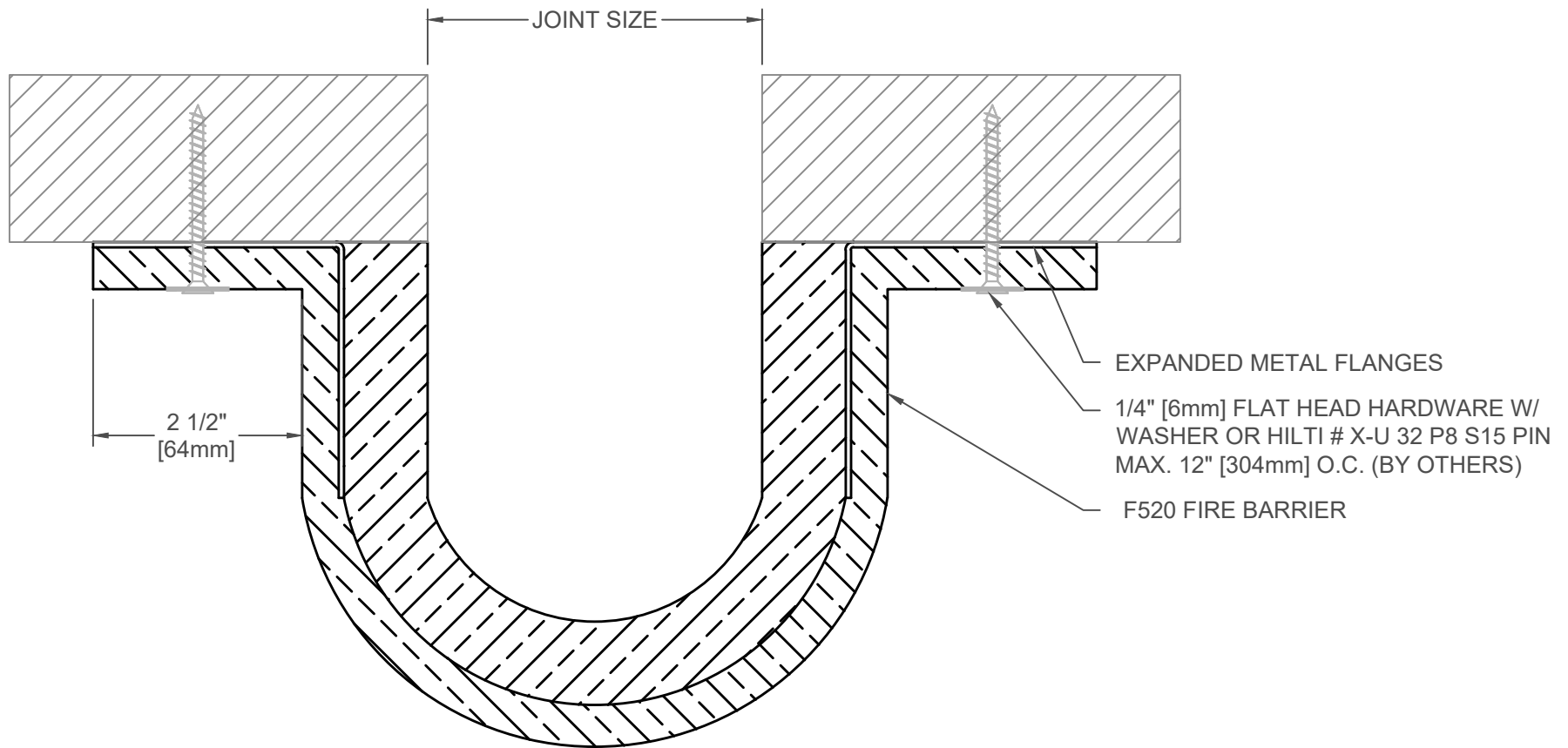
Part # Designation

Movement % FL- =50% FL80- =80%	HR Rating 1, 2, or 3	Flange Top Inside Bottom	Type Mount- Waterguard-	Standard Joint Sizes 2 thru 24	Project Condition FL= Floor/Floor FW= Floor/Wall WL= Wall/Wall WC= Wall/Corner
Example FL-	2	B	M-	4	FW

FINISH: N/A
PROJECT:
CUSTOMER:
LOCATION:

APPLICATION - F520 FIRE BLANKET
BOTTOM MOUNT FLOOR/WALL & CEILING/WALL

DATE: 1-27-15
SCALE: 1:2
DOC: CADJM.168/R3



Part # Designation

Movement % FL- =50% FL80- =80%	HR Rating 1, 2, or 3	Flange Top Inside Bottom	Type Mount- Waterguard-	Standard Joint Sizes 2 thru 24	Project Condition FL= Floor/Floor FW= Floor/Wall WL= Wall/Wall WC= Wall/Corner
Example FL-	2	B	M-	4	FL

FINISH: N/A
PROJECT:
CUSTOMER:
LOCATION:

APPLICATION - F520 FIRE BLANKET
BOTTOM MOUNT FLOOR/FLOOR & CEILING/CEILING

DATE:	1-27-15
SCALE:	1:2
DOC:	CADJM.168/R3