

Part # Designation

NOTE: STANDARD JOINT SIZE VARIES BY HOURLY RATING

RATED SUBSRATE MUST BE IN COMPLIANCE WITH UL ASSEMBLY REQUIREMENTS (BY OTHERS)

Movment % <u>FL-</u> =50% <u>FL80-</u> =80%	HR Rating <u>1,2, or 3</u>	Flange <u>Top</u> <u>Inside</u> <u>Bottom</u>	Type <u>Mount-</u> <u>Waterguard-</u>	Standard Joint Sizes <u>4</u> thru <u>24</u>	Project Condition <u>FL</u> = Floor/Floor <u>FW</u> = Floor/Wall <u>WL</u> = Wall/Wall <u>WC</u> = Wall/Corner
Example FL-	2	T	M-	10	FL

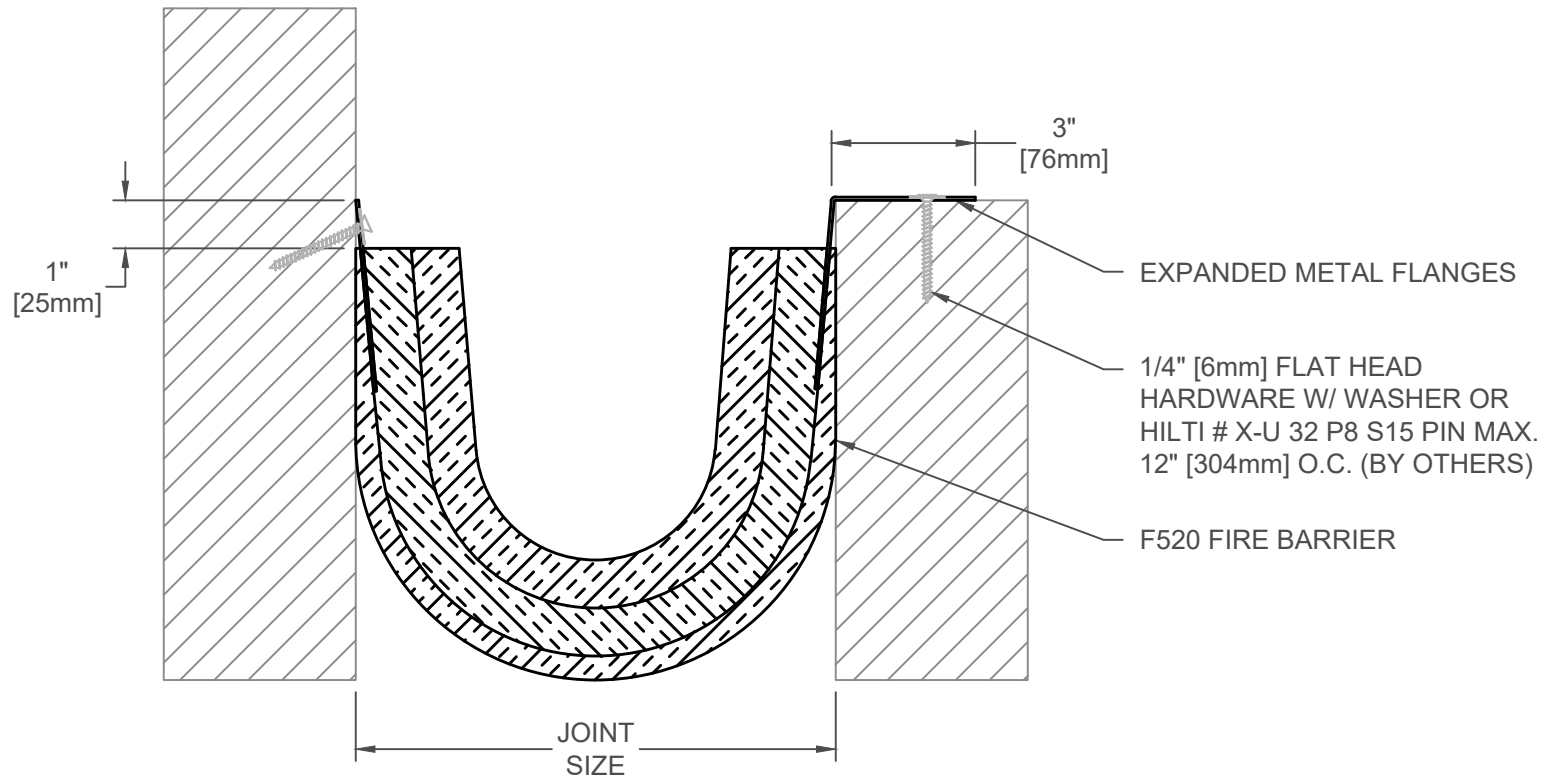
FINISH:
PROJECT:
CUSTOMER:
LOCATION:

APPLICATION -  
F520 FIRE BLANKET  
TOP MOUNT FLOOR/FLOOR & WALL/WALL

DATE:	1-27-15
SCALE:	1:4
DOC:	CADJM.168/R4



For More Information Visit: [Inprocorp.com](http://Inprocorp.com)



Part # Designation

NOTE: STANDARD JOINT SIZE  
VARIES BY HOURLY RATING

RATED SUBSRATE MUST BE IN  
COMPLIANCE WITH UL ASSEMBLY  
REQUIREMENTS (BY OTHERS)

Movment % <u>FL</u> - =50% <u>FL80</u> - =80%	HR Rating <u>1,2, or 3</u>	Flange <u>Top</u> <u>Inside</u> <u>Bottom</u>	Type <u>Mount-</u> <u>Waterguard-</u>	Standard Joint Sizes <u>4 thru 24</u>	Project Condition <u>FL</u> = Floor/Floor <u>FW</u> = Floor/Wall <u>WL</u> = Wall/Wall <u>WC</u> = Wall/Corner
Example FL-	2	T	M-	10	FW

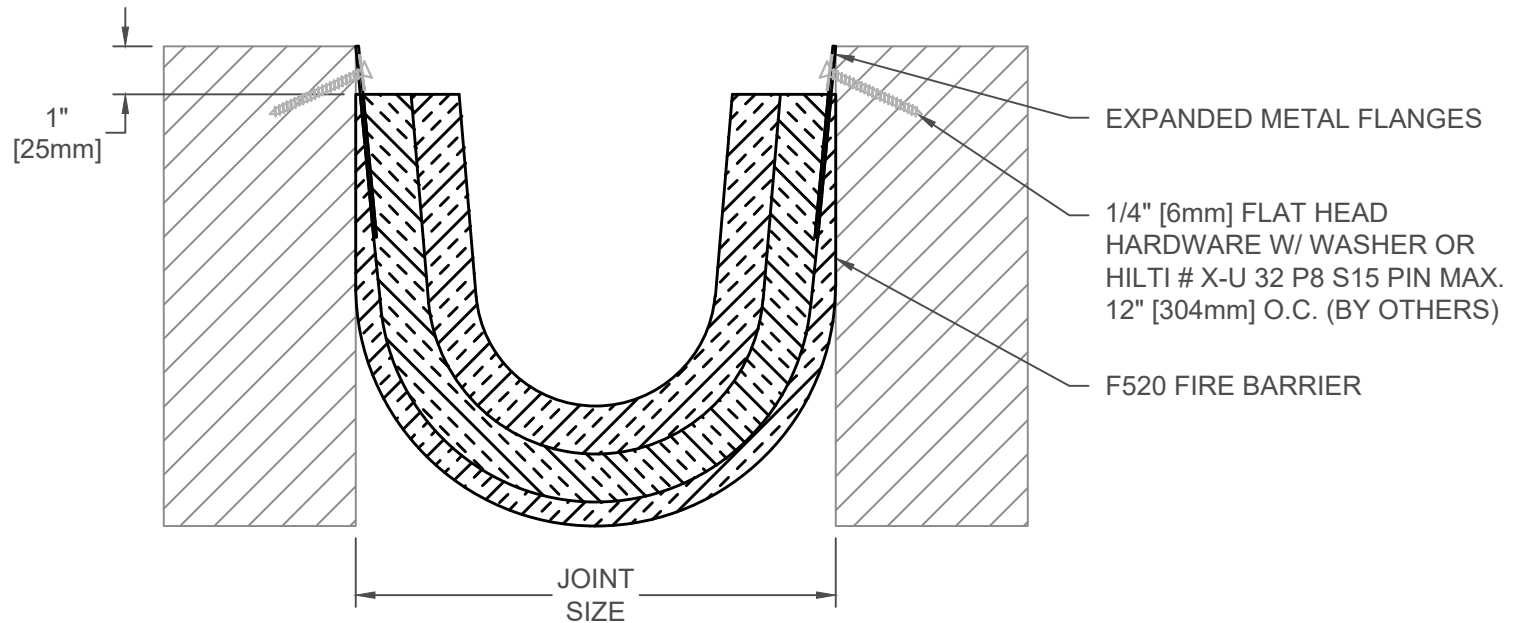
FINISH:
PROJECT:
CUSTOMER:
LOCATION:

APPLICATION -  
F520 FIRE BLANKET  
TOP MOUNT FLOOR/WALL & WALL/CORNER

DATE:	1-27-15
SCALE:	1:4
DOC:	CADJM.168/R4



For More Information Visit: [Inprocorp.com](http://Inprocorp.com)



Part # Designation

NOTE: STANDARD JOINT SIZE VARIES BY HOURLY RATING  
 RATED SUBSTRATE MUST BE IN COMPLIANCE WITH UL ASSEMBLY REQUIREMENTS (BY OTHERS)

Movement % <u>FL</u> - =50% <u>FL80</u> - =80%	HR Rating <u>1,2, or 3</u>	Flange <u>Top</u> <u>Inside</u> <u>Bottom</u>	Type <u>Mount-</u> <u>Waterguard-</u>	Standard Joint Sizes <u>4</u> thru <u>24</u>	Project Condition <u>FL</u> = Floor/Floor <u>FW</u> = Floor/Wall <u>WL</u> = Wall/Wall <u>WC</u> = Wall/Corner
Example FL-	2	I	M-	10	FL

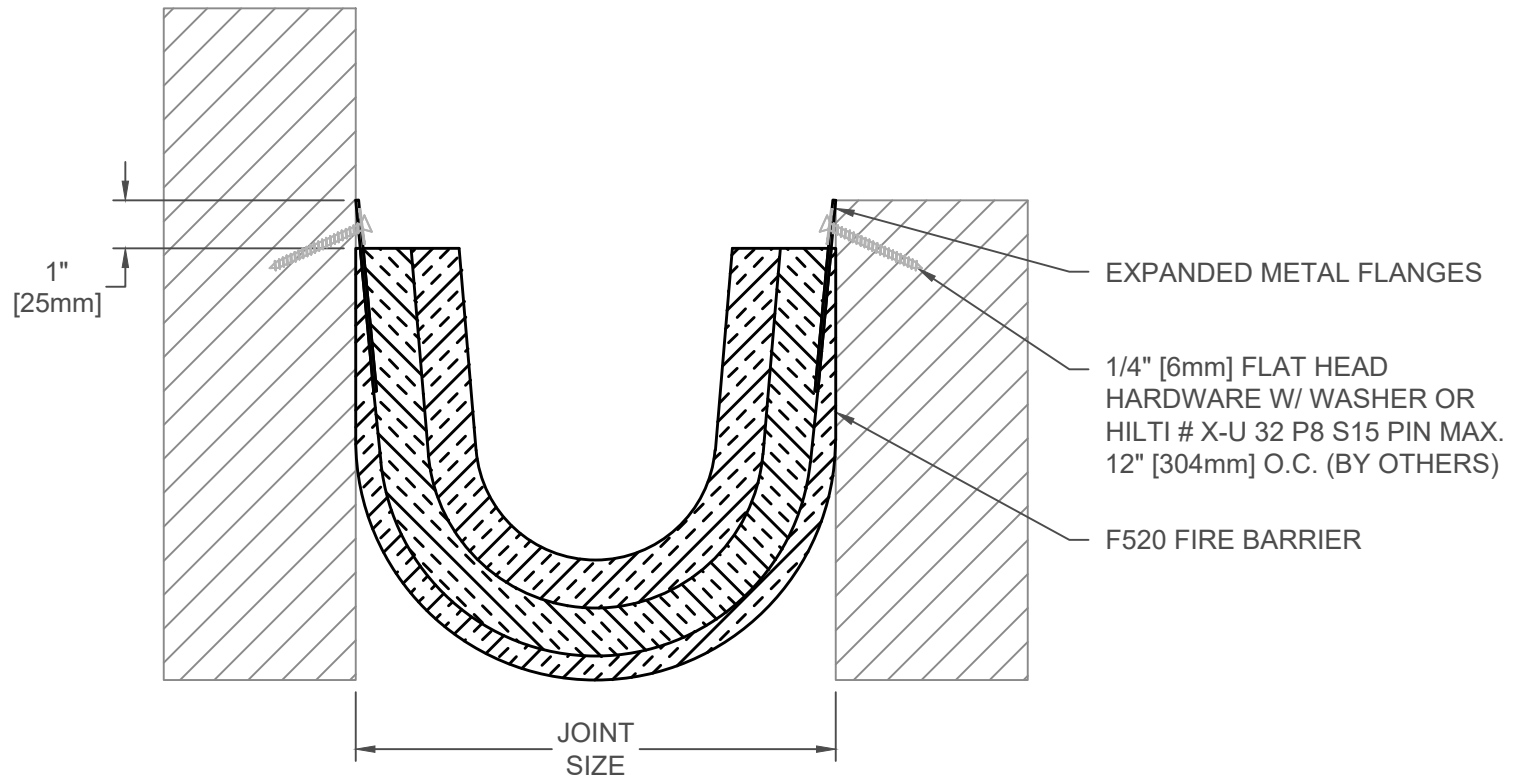
FINISH:
PROJECT:
CUSTOMER:
LOCATION:

APPLICATION -  
 F520 FIRE BLANKET  
 INSIDE MOUNT FLOOR/FLOOR & WALL/WALL

DATE:	1-27-15
SCALE:	1:4
DOC:	CADJM.168/R4



For More Information Visit: [Inprocorp.com](http://Inprocorp.com)



Part # Designation

NOTE: STANDARD JOINT SIZE  
VARIES BY HOURLY RATING

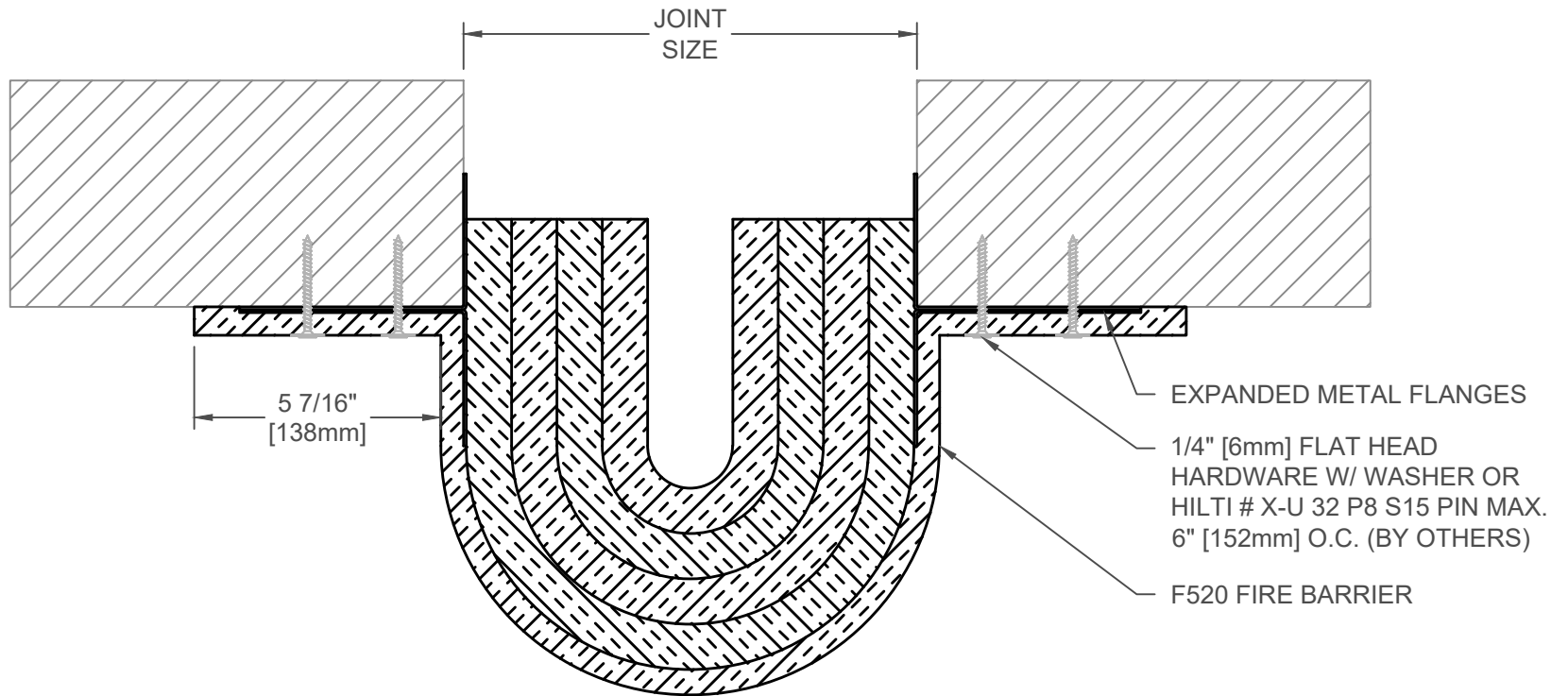
RATED SUBSTRATE MUST BE IN  
COMPLIANCE WITH UL ASSEMBLY  
REQUIREMENTS (BY OTHERS)

Movement % <u>FL</u> - =50% <u>FL80</u> - =80%	HR Rating <u>1, 2, or 3</u>	Flange <u>Top</u> <u>Inside</u> <u>Bottom</u>	Type <u>Mount-</u> <u>Waterguard-</u>	Standard Joint Sizes <u>4</u> thru <u>24</u>	Project Condition <u>FL</u> = Floor/Floor <u>FW</u> = Floor/Wall <u>WL</u> = Wall/Wall <u>WC</u> = Wall/Corner
Example FL-	2	I	M-	10	FW

FINISH:
PROJECT:
CUSTOMER:
LOCATION:

APPLICATION -  
F520 FIRE BLANKET  
INSIDE MOUNT FLOOR/WALL & WALL/CORNER

DATE:	1-27-15
SCALE:	1:4
DOC:	CADJM.168/R4



Part # Designation

Movement % <u>FL-</u> =50% <u>FL80-</u> =80%	HR Rating <u>1,2, or 3</u>	Flange <u>Top</u> <u>Inside</u> <u>Bottom</u>	Type <u>Mount-</u> <u>Waterguard-</u>	Standard Joint Sizes <u>6</u> thru <u>24</u>	Project Condition <u>FL</u> = Floor/Floor <u>FW</u> = Floor/Wall
Example FL-	2	B	M-	10	FL

RATED SUBSTRATE MUST BE IN COMPLIANCE WITH UL ASSEMBLY REQUIREMENTS (BY OTHERS)

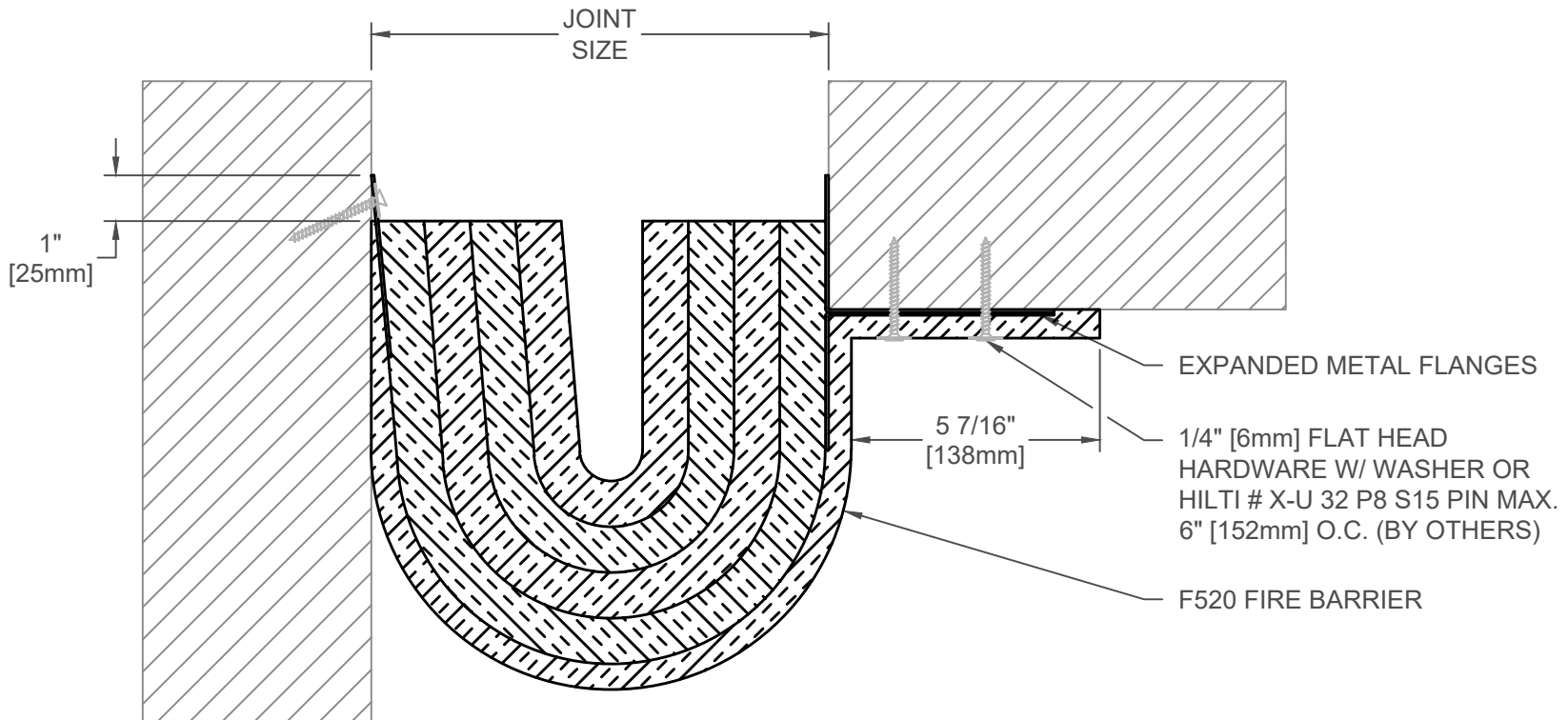
FINISH:
PROJECT:
CUSTOMER:
LOCATION:

APPLICATION -  
F520 FIRE BLANKET  
BOTTOM MOUNT FLOOR/FLOOR & CEILING/CEILING

DATE:	1-27-15
SCALE:	1:4
DOC:	CADJM.168/R4



For More Information Visit: [Inprocorp.com](http://Inprocorp.com)



Part # Designation

Movement % <u>FL-</u> =50% <u>FL80-</u> =80%	HR Rating <u>1,2, or 3</u>	Flange <u>Top</u> <u>Inside</u> <u>Bottom</u>	Type <u>Mount-</u> <u>Waterguard-</u>	Standard Joint Sizes <u>6</u> thru <u>24</u>	Project Condition <u>FL</u> = Floor/Floor <u>FW</u> = Floor/Wall
Example FL-	2	B	M-	10	FW

RATED SUBSTRATE MUST BE IN COMPLIANCE WITH UL ASSEMBLY REQUIREMENTS (BY OTHERS)

FINISH:
PROJECT:
CUSTOMER:
LOCATION:

APPLICATION -  
F520 FIRE BLANKET  
BOTTOM MOUNT FLOOR/WALL & CEILING/WALL

DATE:	1-27-15
SCALE:	1:4
DOC:	CADJM.168/R4