

# Installation Instructions

## F520 Fire Barrier Floor to Floor Bottom Mount

---

STORE AND INSTALL BLANKETS SUCH THAT THE PRODUCT REMAINS DRY.

### NOTES:

1. Verify that the structural gap and blockout dimensions are in conformance with submittal data before beginning installation. Certification of this product was completed by Guardian and Intertek Testing Laboratories. Product must be installed in accordance with these Installation Instructions.
2. For vertical (wall) installations, for single sided and double sided blankets available. For single sided product, ensure drape of blanket faces "potential threat" side of wall.
3. If job site specific conditions exist, these general installation instructions do not take place of an Engineering Evaluation if required. Any modifications made to the product without documented manufacturing direction will void the warranty.
4. F520 Fire Barrier is delivered pre-assembled. Transitions/directional changes must be installed first.

### **Fire Caulk Disclaimer:**

Inpro provides 1 or 2 tubes of fire caulk (depending on order size) at no charge. Should additional caulk be required, due to project or site complexity, additional caulk to be provided by others.

#### Figure 1

1. Remove the female end to create a butt end. Start at the outside wall with the butt end. Measure the depth of the wall to the back of the exterior cover, and cut the flange on the butt end that distance. Insert the end into the wall up to the exterior expansion cover. The standard F520 Fire Barrier has 12" (305mm) overlap at each end. One end is the male and the other is the female. Sections are 4' (1.2m) long.
2. Install the next section, nesting the female on to the male end tightly.
3. If the exterior wall is fire rated reference figure 1a vertical wall fire barrier instructions.
4. Complete the install by installing all the female to female transitions.

#### Figure 1a

5. When you reach an interior wall measure the distance from the edge of the wall to the edge of the flange. Mark that distance on the flange of the next section of fire barrier. Measure the depth of the wall and trim the flanges that distance from the mark.
6. Slide the fire barrier thru the wall to the section of fire barrier. The trimmed flanges must line up with the wall.
7. If the wall is fire rated you must use a vertical butt end up to the bottom mount fire barrier.
8. Apply 3M CP25 Fire Caulk to the edge of the vertical butt end. Press tight to the bottom mount fire barrier. Be sure there are no voids between the two.

#### Figure 2 & 2a

9. Flanges are expanded metal. Ensure flanges are pressed tight and held flat to the substrate.
10. Utilize hardware appropriate to the substrate (supplied by others) with a maximum spacing of 6" (152mm) O.C. Treat the heads of each mounting screw with fire caulk.

The recommended hardware is:

- 1/4" (6mm) x 1 3/4" (44mm) concrete/wood screw with washer

IPC.1838/REV.6

---

JOINTMASTER® **Expansion Joint Systems**

**inpro.com • 800.222.5556 • 262.679.9010**

**World Headquarters** S80 W18766 Apollo Drive, Muskego, WI 53150 USA

**Installation Hotline:** 866.394.6776

**inpro**®

# Installation Instructions

## F520 Fire Barrier Floor to Floor Bottom Mount

Fig 1

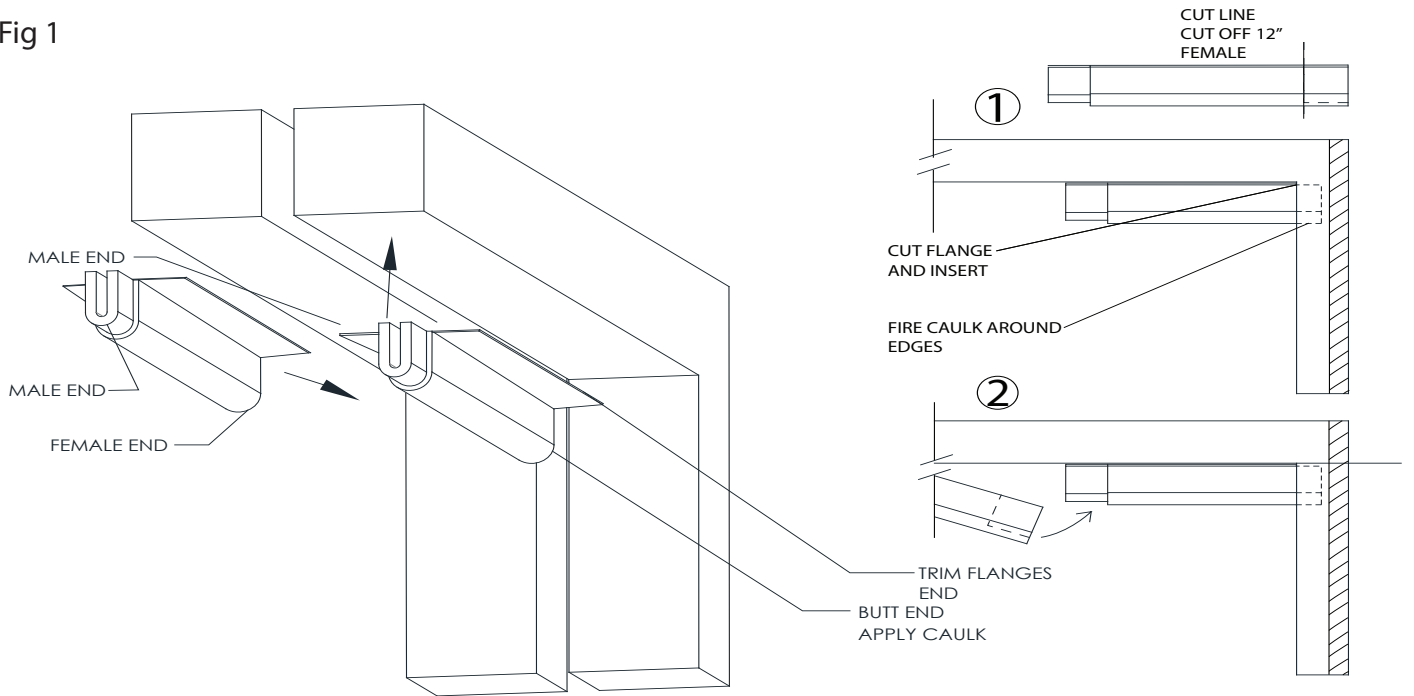
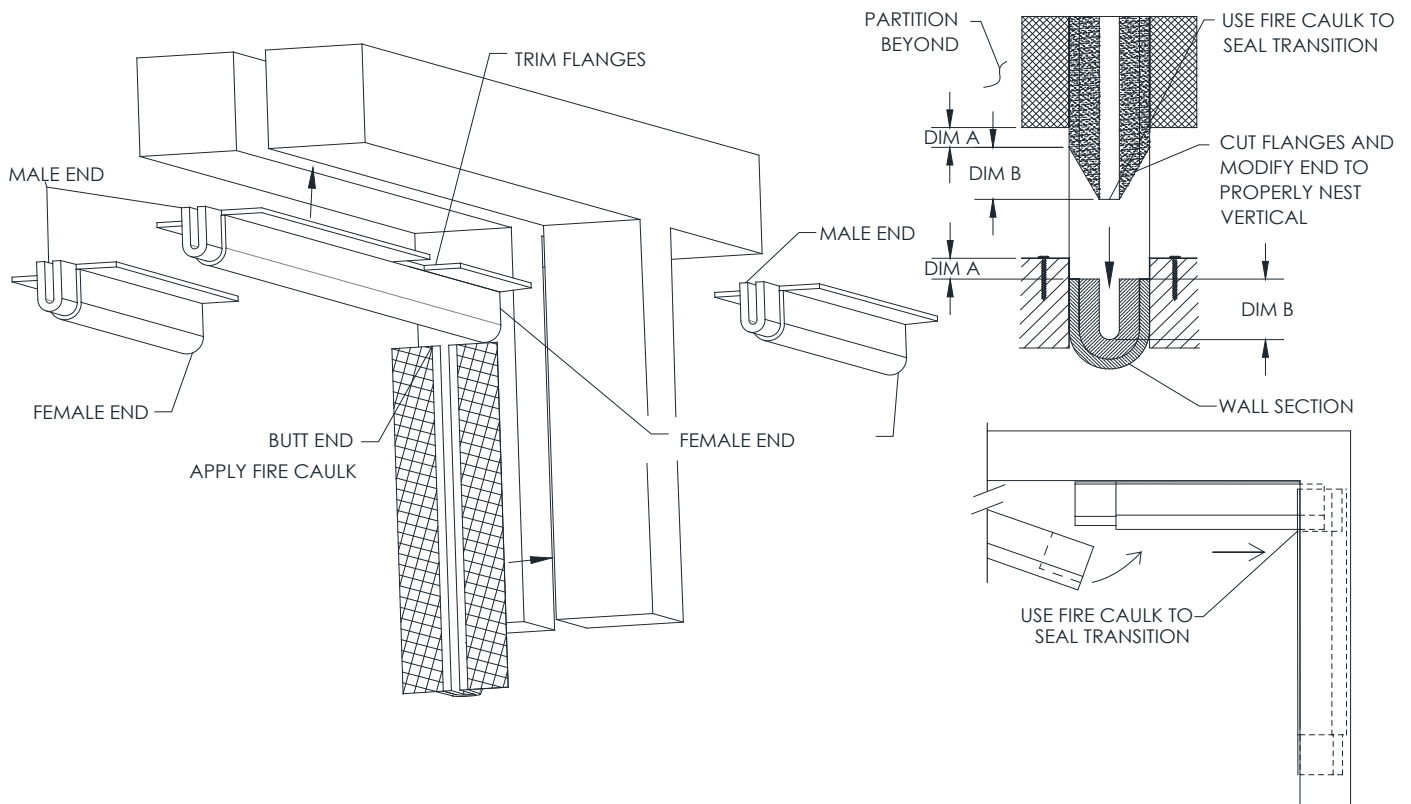


Fig 1a



# Installation Instructions

## F520 Fire Barrier Floor to Floor Bottom Mount

Fig 2

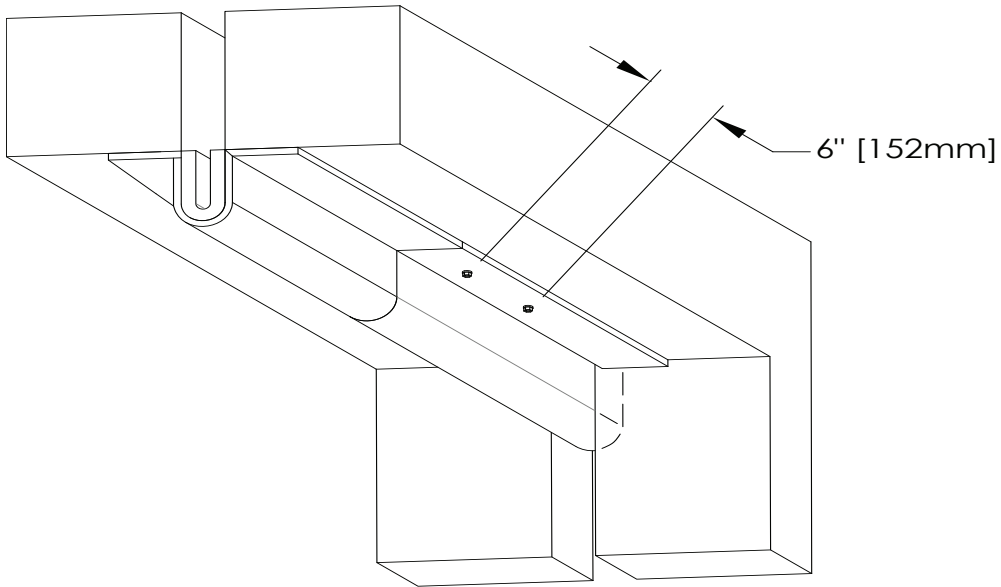
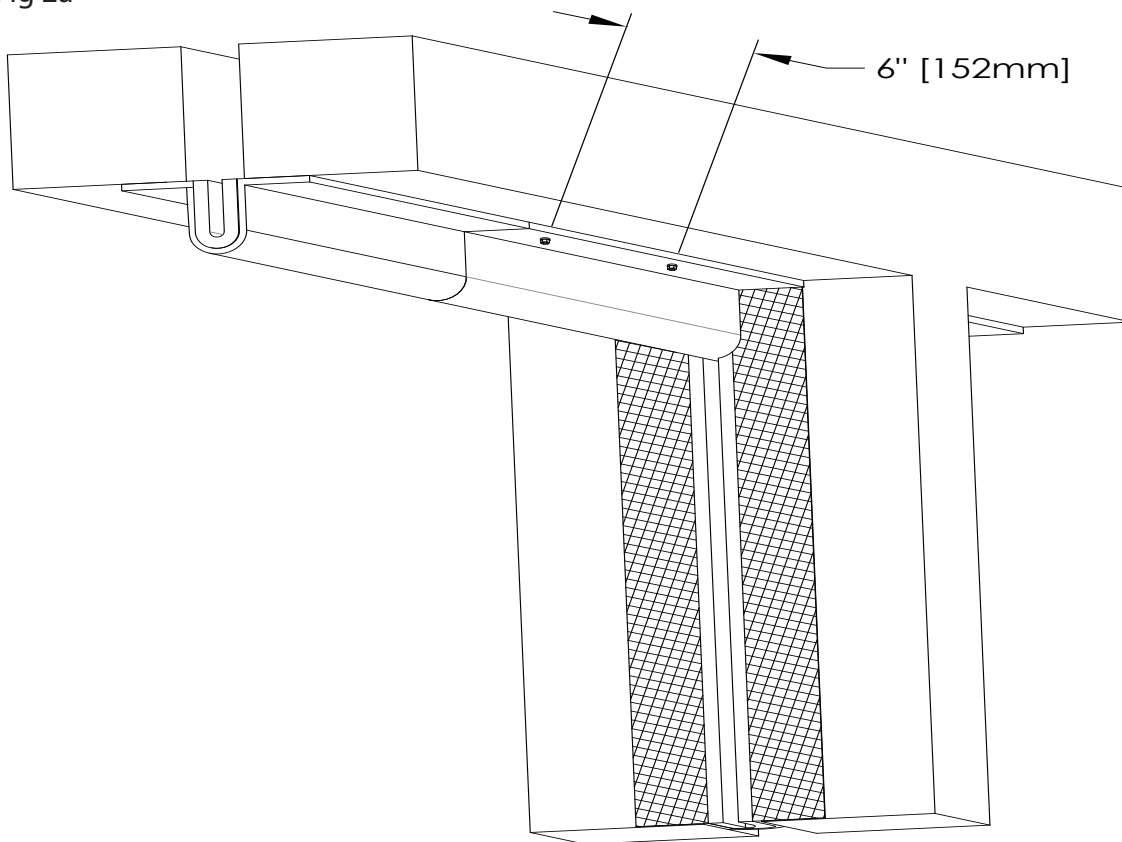


Fig 2a



JOINTMASTER® Expansion Joint Systems

[inpro.com](http://inpro.com) • 800.222.5556 • 262.679.9010

World Headquarters S80 W18766 Apollo Drive, Muskego, WI 53150 USA

Installation Hotline: 866.394.6776

**inpro**®

# Installation Instructions

## F520 Fire Barrier Floor to Wall Bottom Mount

Figure 3 & 3a

11. Fasten the vertical wall flange first. make sure the top of blanket in even with the bottom of the floor. Then fasten the horizontal to the floor.

Fig 3

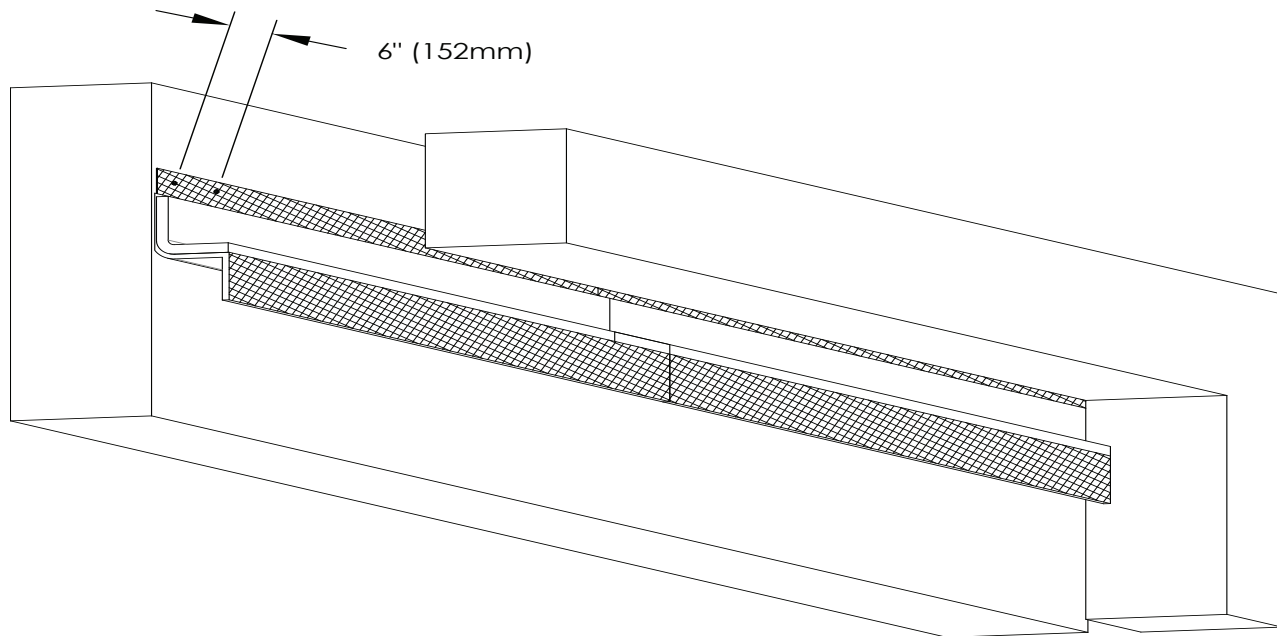
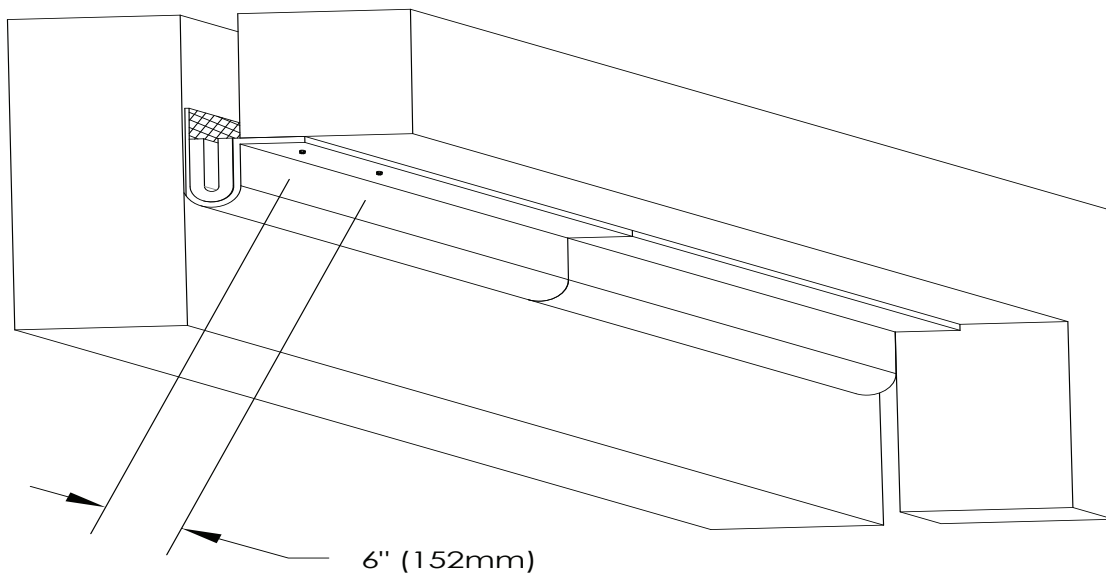


Fig 3a



JOINTMASTER® Expansion Joint Systems

[inpro.com](http://inpro.com) • 800.222.5556 • 262.679.9010

World Headquarters S80 W18766 Apollo Drive, Muskego, WI 53150 USA

Installation Hotline: 866.394.6776

**inpro**®