

# Installation Instructions

## F520 Fire Barrier Floor to Floor and Wall to Wall Top Mount

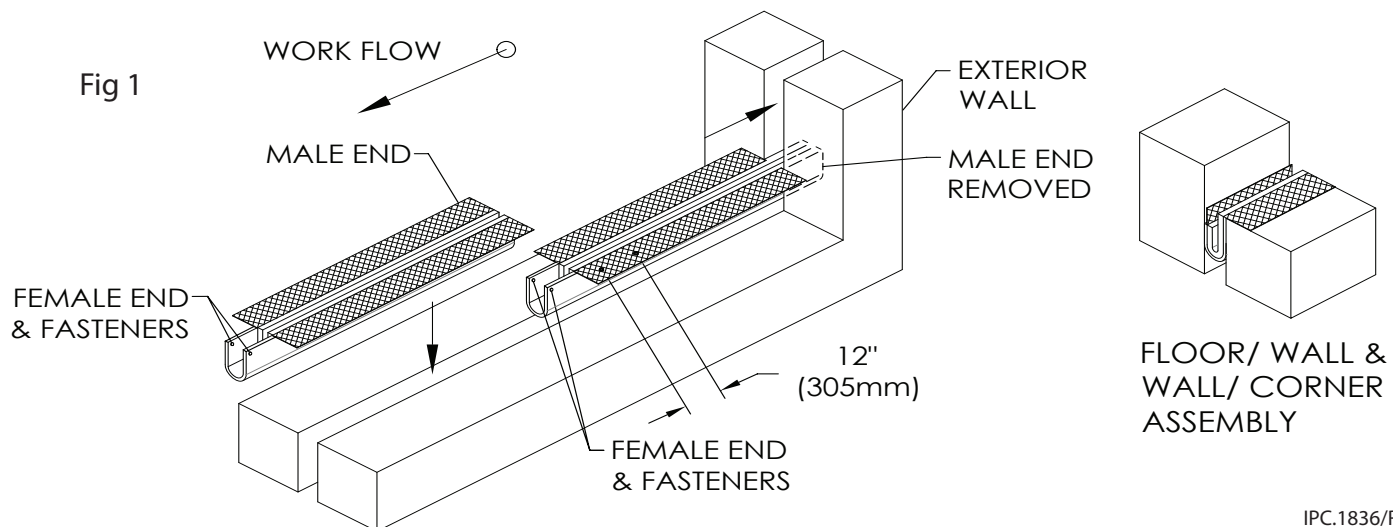
STORE AND INSTALL BLANKETS SUCH THAT THE PRODUCT REMAINS DRY.

### NOTES:

1. Verify that the structural gap and blockout dimensions are in conformance with submittal data before beginning installation. Certification of this product was completed by Guardian and Intertek Testing Laboratories. Product must be installed in accordance with these Installation Instructions.
2. For vertical (wall) installations, for single sided and double sided blankets available. For single sided product, ensure drape of blanket faces "potential threat" side of wall.
3. If job site specific conditions exist, these general installation instructions do not take place of an Engineering Evaluation if required. Any modifications made to the product without documented manufacturing direction will void the warranty.
4. F520 Fire Barrier is delivered pre-assembled. Transitions/directional changes must be installed first.  
**TIP:** If joint width is smaller than nominal joint width specified, compress the sides of the blanket by laying it on its side and using a wood form and foot pressure. This will allow the F520 blanket to regain its "pill" shape.  
**Fire Caulk Disclaimer:** Inpro provides 1 or 2 tubes of fire caulk (depending on order size) at no charge. Should additional caulk be required, due to project or site complexity, additional fire caulk must be provided by others.

### Figure 1- General Installation Workflow

1. Place the fire barrier into the expansion joint, F520 Fire Barrier has a 12" (305mm) overlap at each end. One end is the male and the other is the female. Always secure the female with fasteners in each upper corner as depicted.
2. On the first section remove the male end and slide it into the wall. Install the next section, nesting the male into the female end tightly and secure with hardware appropriate to the substrate.
3. Flanges are expanded metal. Ensure flanges are pressed tight and held flat to the substrate. Pour a leveling compound over the flanges to ensure a flush blockout base if necessary.
4. Utilize hardware appropriate to the substrate (supplied by others) with a maximum spacing of 12" (305mm) O.C. Recommended hardware for various conditions are:
  - Floor - 1/4" (6mm) x 1 3/4" (44mm) concrete/wood screw with washer
  - Wall - 3/16" (5mm) x 2 1/2" (64mm) concrete/self drilling screw with washer



IPC.1836/REV.8

JOINTMASTER® Expansion Joint Systems

inpro.com • 800.222.5556 • 262.679.9010

World Headquarters S80 W18766 Apollo Drive, Muskego, WI 53150 USA

Installation Hotline: 866.394.6776

**inpro**®

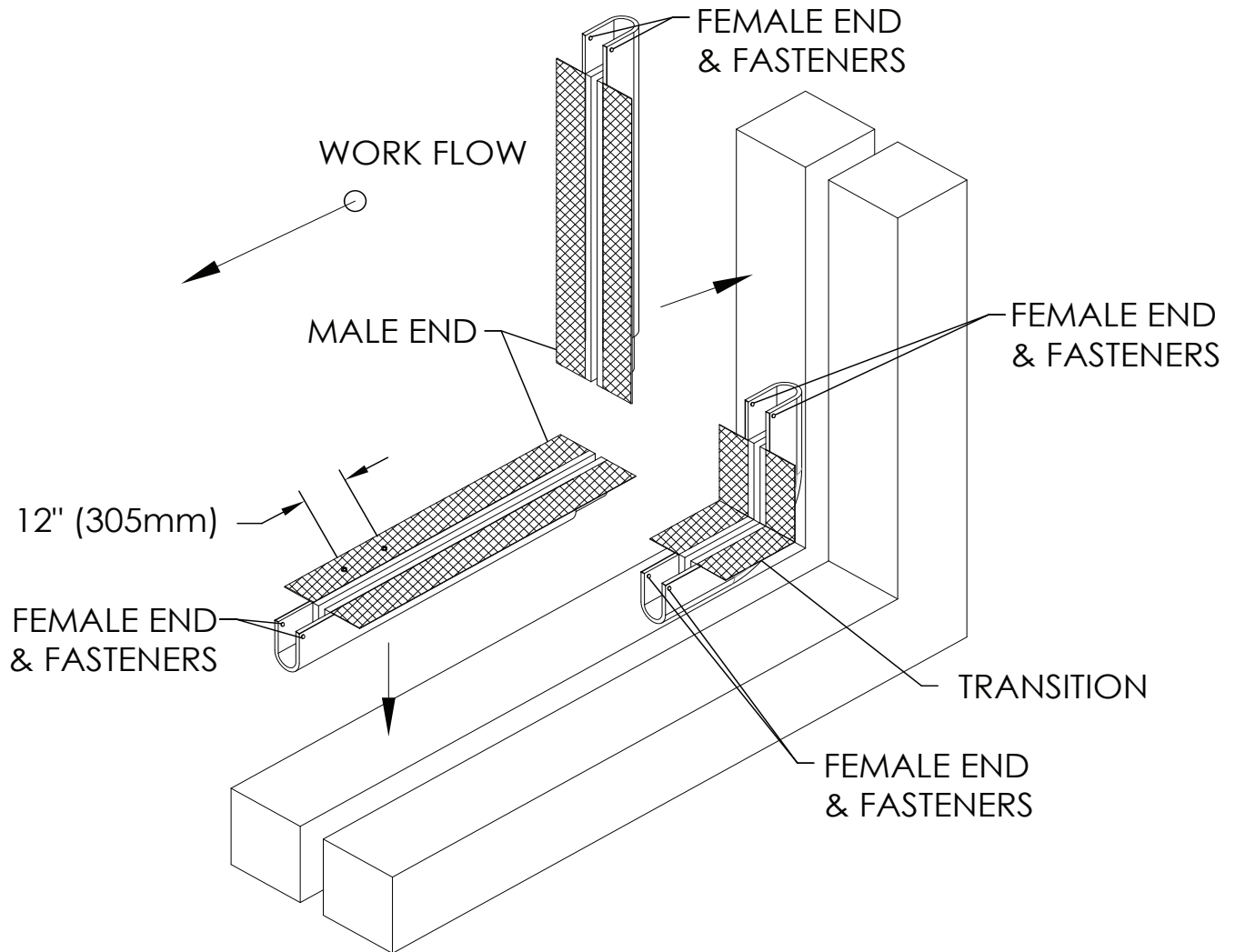
# Installation Instructions

## F520 Fire Barrier Floor to Floor and Wall to Wall Top Mount

### Figure 2- Transition Installation Workflow

5. Begin by installing the female-ended transition.
6. Secure each 12" (305mm) flange into place with hardware to the appropriate substrate. Always install vertical blanket with the female end up as shown in Fig. 2.
7. Continue fire barrier installation per Fig. 1.

Fig 2



# Installation Instructions

## F520 Fire Barrier Floor to Floor and Wall to Wall Top Mount

Figure 3- Vertical Intersection

8. Remove the male end of the verticle fire barrier. Always install vertical blanket with the female end up.

9. Next measure the depth of (Dim A) and the inside bellows (Dim B). Cut a "V" shape to match the space within the blanket. Flange trimming may be required.

10. Install the modified end into the throat of the floor and insert the fire barrier into the wall. Be sure there are no voids between the two. Fire caulk at connection point to ensure no air gap exists. Fig. 3a

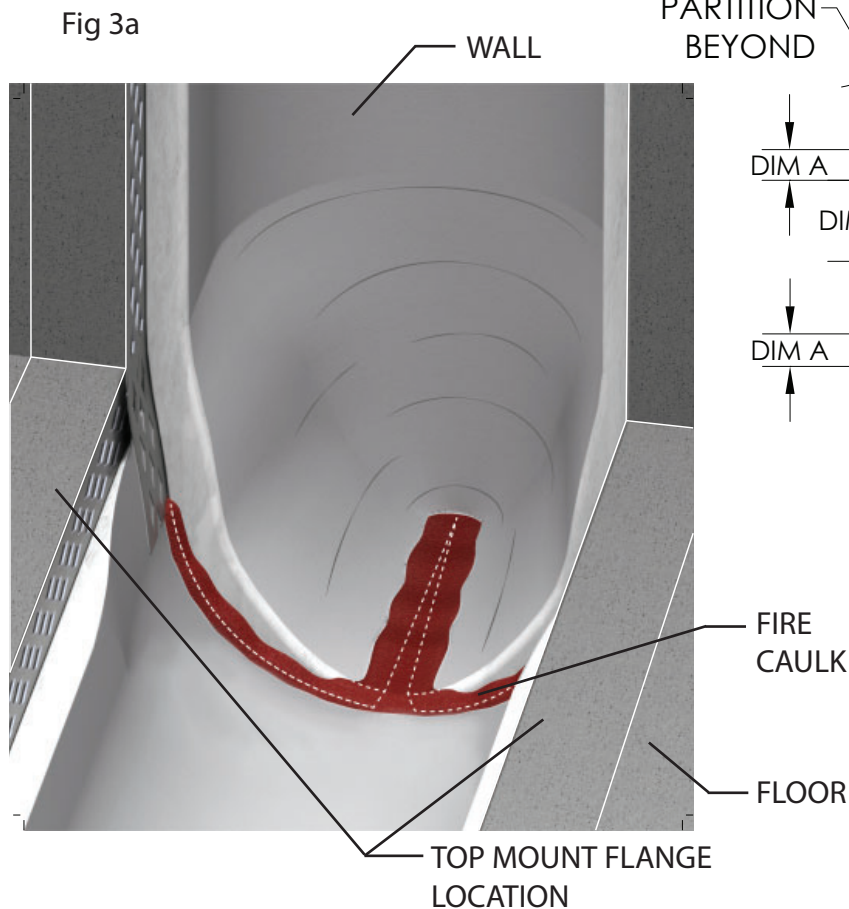
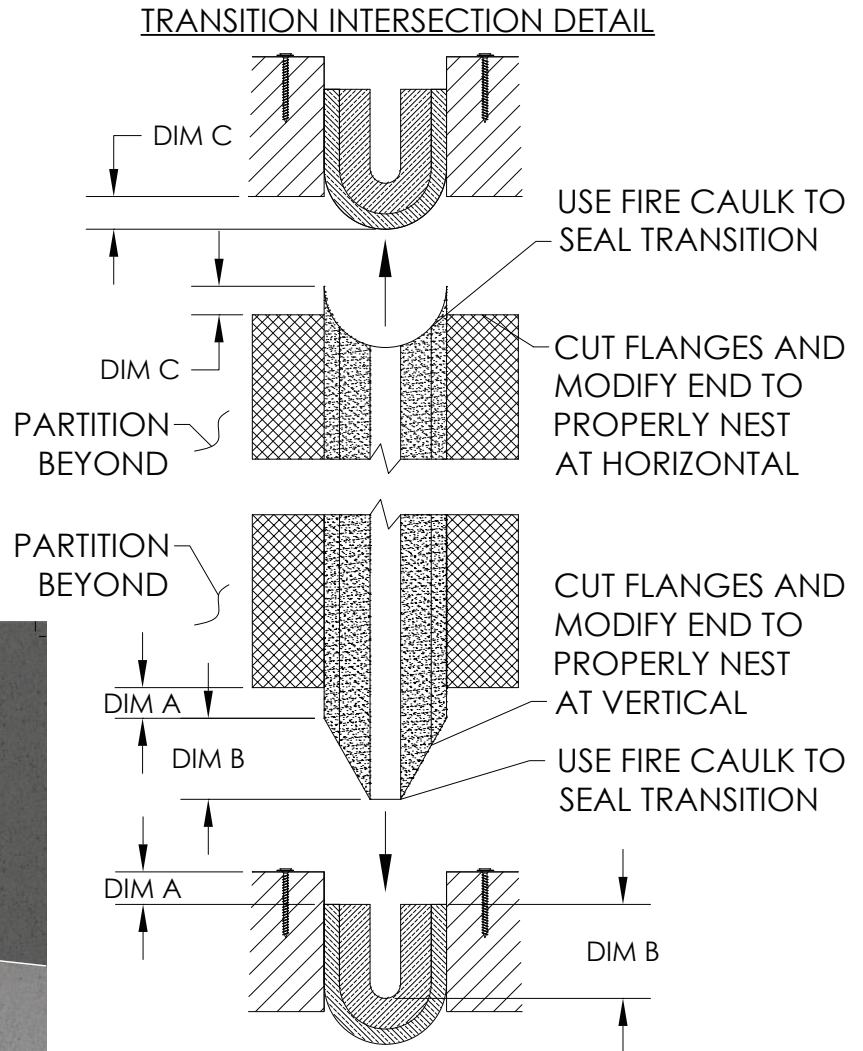


Fig 3

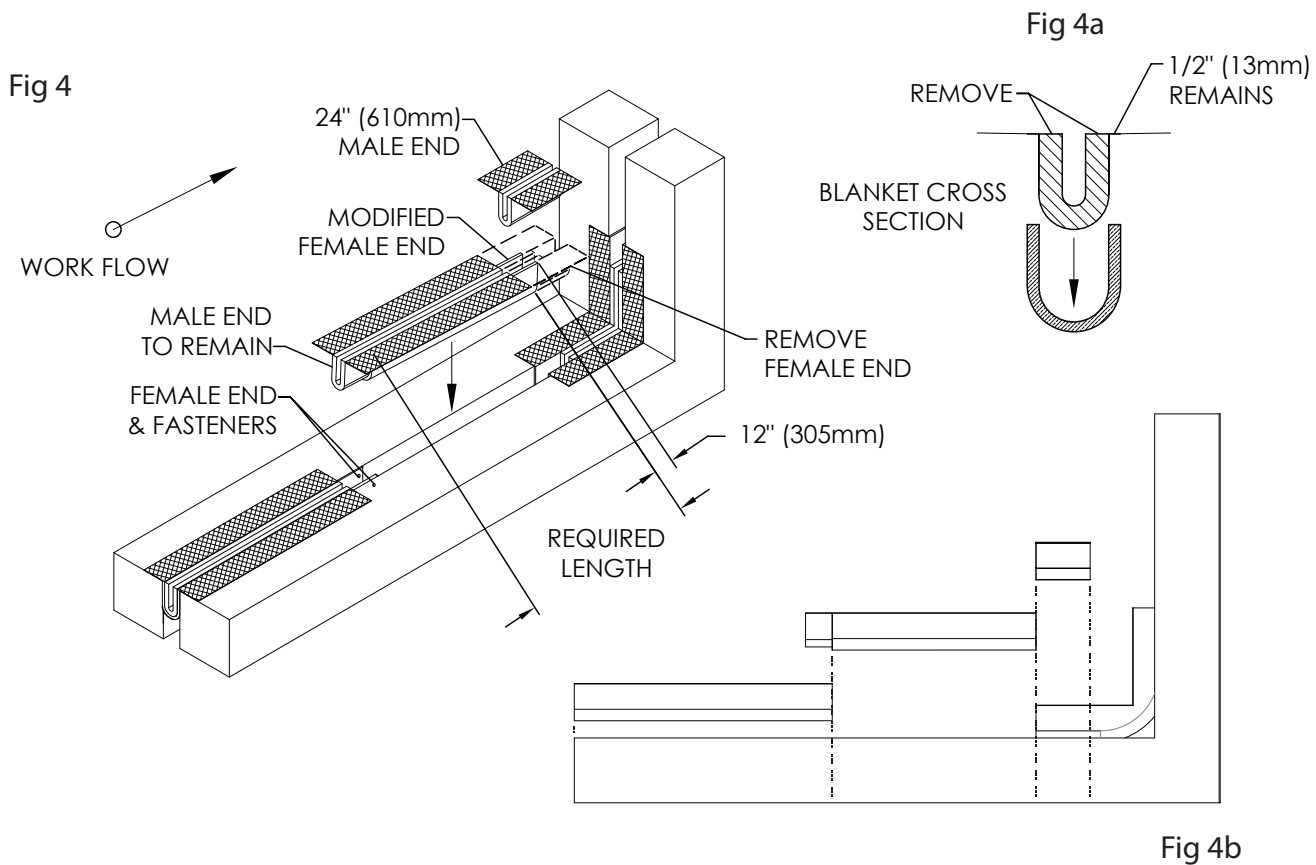


# Installation Instructions

## F520 Fire Barrier Floor to Floor and Wall to Wall Top Mount

### Figure 4- Field Specific Lengths Work Flow

11. In the event a project requires a specific length, a female end can easily be recreated in the field to facilitate the next male end connection.
12. Measure the needed length from the edge of the flange to the other edge of the flange. Mark it on both sides.
13. Measure back 12" (305mm), using a razor remove the inside layer of white blanket material exposing the flanges (see Fig 4a). Remove the pins and cut the flanges off. The 1/2" (13mm) thick outer fire blanket will remain with the section.
14. In the female end install the 4 new pins/washers and bend the pins over.
15. Nest the 24" (610mm) male end into both female ends and fasten.



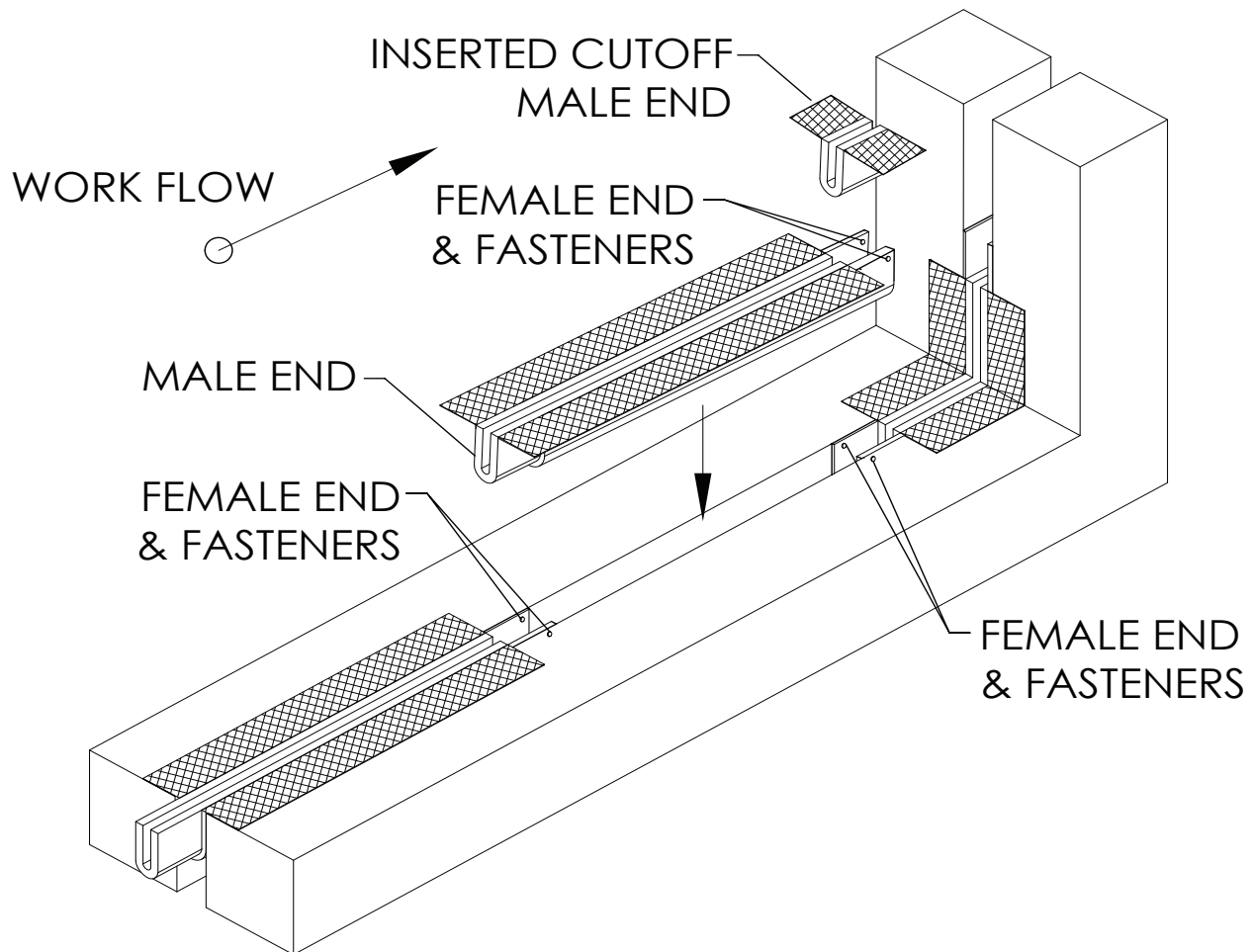
# Installation Instructions

## F520 Fire Barrier Floor to Floor and Wall to Wall Top Mount

Figure 5- Field conditions of whole fire blanket lengths Work Flow - increments 10'(3.1m) or 4'(1.2m)

16. In these conditions you must remove the first male end and use it in the last female end.
17. Remove the pins and cut the fire blanket in line with the edge of the flange. Set male end aside for later installation.
18. Install all the sections except for the last one.
19. Take the male end that is set aside and nest into the last female end.
20. Install the new pins/washers and bend the pins over.

Fig 5



# Installation Instructions

## F520 Fire Barrier Floor to Floor and Wall to Wall Top Mount

**Figure 6 - Field Fabricated In-Plane 90 Deg Turn**

22. Ensure the previously installed blanket has the female end towards the transition location.

23. Make blanket "A" by cutting the next blanket to proper length making sure the measurement is taken from the male side of the blanket. This will be a straight cut through the blanket, avoiding the assembly pin locations. Use a utility knife to cut through blanket material and a tin snip or angle grinder for the flanges.

24. Install blanket "A", ensuring the male end fits snugly into the female section and the butt end fits tightly into the corner of the directional change (Fig 6a). Install fire caulk at any visible openings, see tip below.

25. Trim the horizontal portion of the flange hanging over the joint and install a temporary fastener affixing the "floating" flange to the substrate. This will need to be removed in a later step.

26. Use the remainder of the previously cut blanket assembly (if enough remains) to make blanket "B". Cut the butt end into an "arch" pattern (Fig 6b). Measure roughly 4" [102mm] back on the flanges to begin the cut. Blanket "B" should consist of an arch cut on one end and a female end on the other.

27. Insert blanket "B" into the corner, tightly pressing the end with the arch cut against the side wall of blanket "A". The arch cut should hug the side wall of blanket "A" snugly (Fig 6c). Trim the horizontal flange portion of blanket "B" that overlaps the flange of blanket "A". Install fire caulk at all visible openings at the seam, see tip below.

28. Remove the temporary fastener in step 25 and continue with the general installation as referenced in Figure 1.

**FIRE CAULK TIP:** Apply fire caulk to the face of the butt end you are installing into the corner, and to the arch cut end you are installing against the other blanket. Then apply additional fire caulk at any visible openings.

