

Galvanized Metal Flanges  
Both Sides Set In Continuous  
Bed Of Silicone Against  
Substrate (By Others)

1/4" [6mm] Flat Head Hardware  
w/ Washer or Hilti # X-U 32 P8 S15 Pin  
Max. 12" [304mm] O.C.(By Others)

4 1/2" [114mm] Min. Slab Thickness

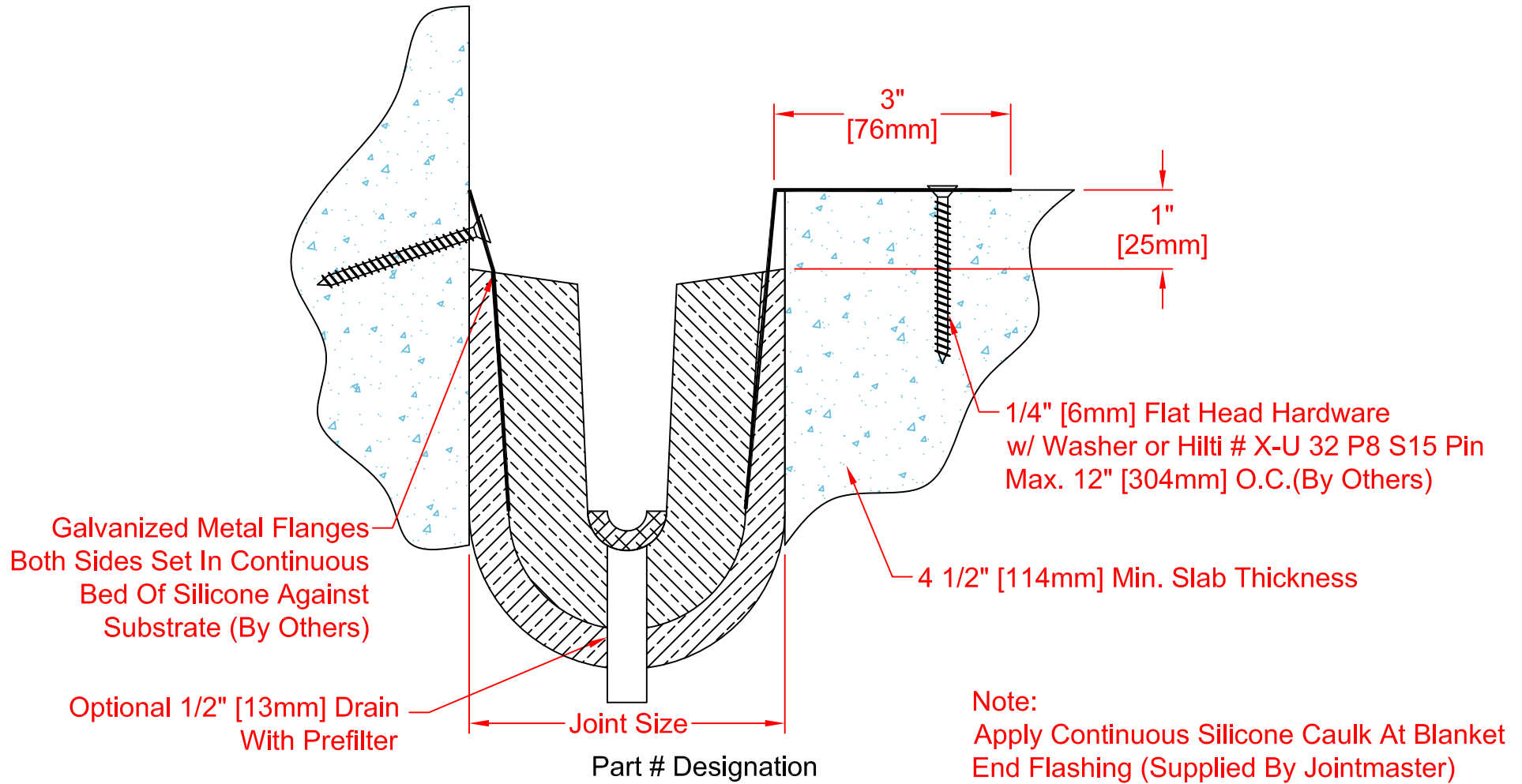
Optional 1/2" [13mm] Drain  
With Prefilter

Joint Size

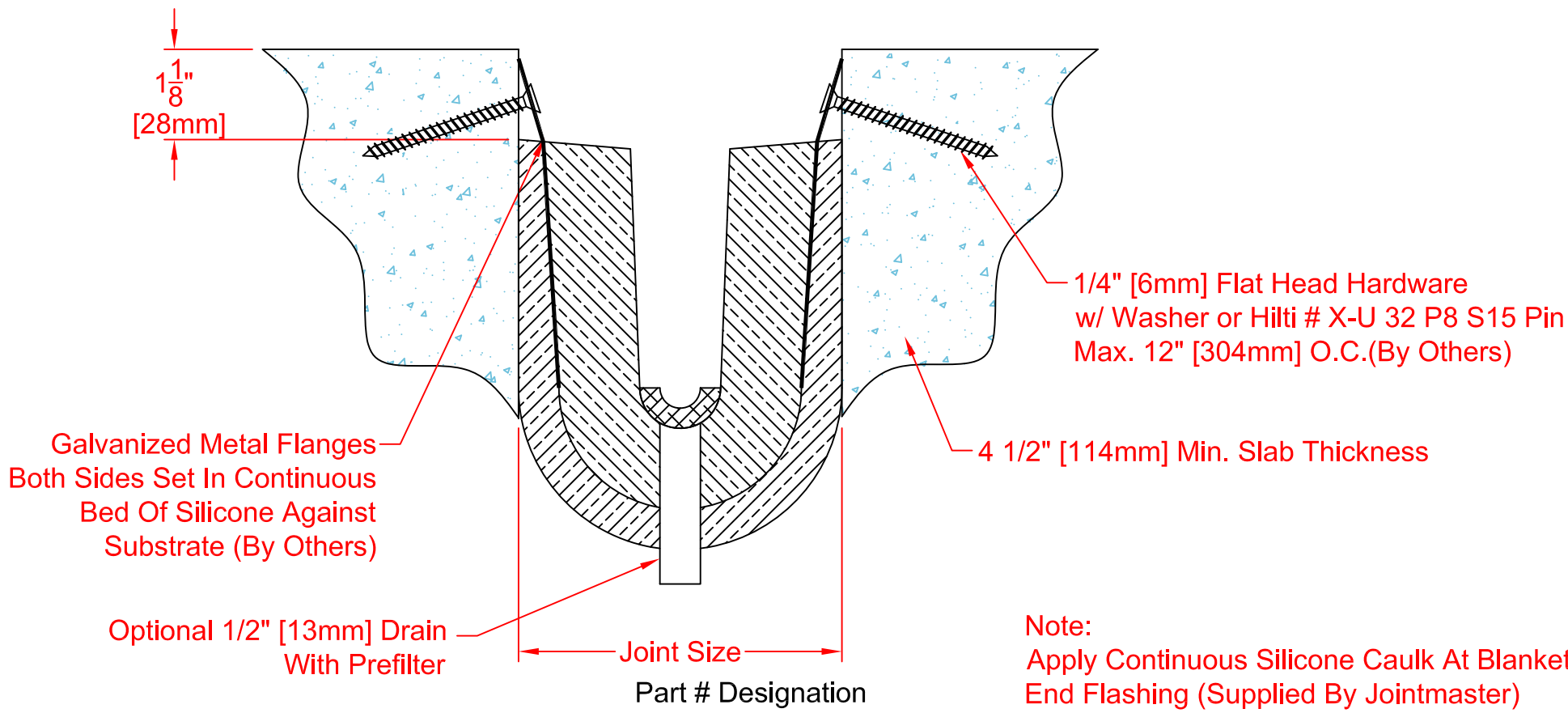
Note:  
Apply Continuous Silicone Caulk At Blanket  
End Flashing (Supplied By Jointmaster)

Part # Designation

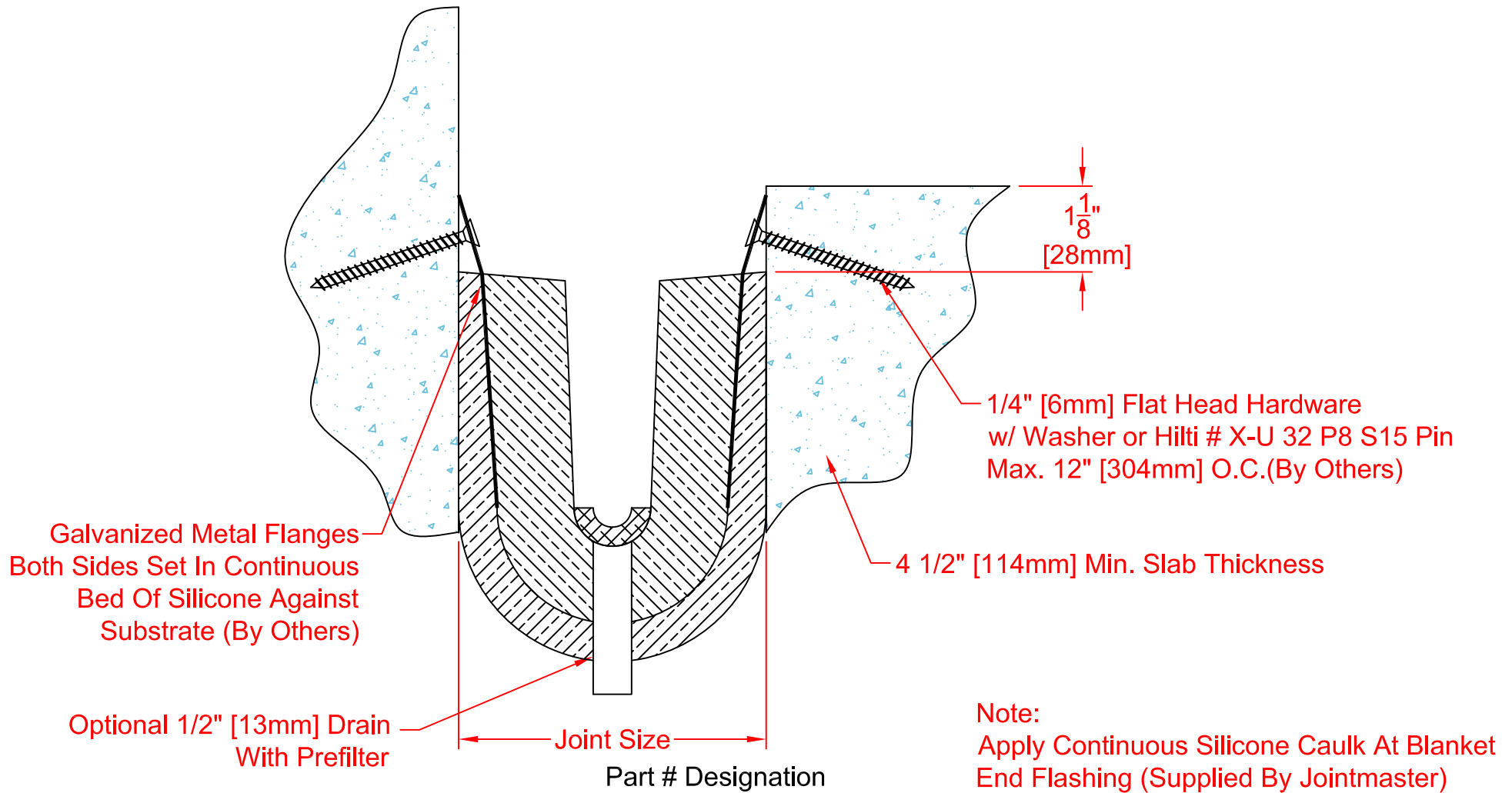
	F520- HR Rating <u>1,2,3 or 4</u>	Flange <u>Top</u> <u>Inside</u> <u>Bottom</u>	Type <u>Water Guard</u> <u>WD</u> rain Option -	Standard Joint Sizes <u>2,4,6,8,10,12,14,16 or 18</u>	Project Condition <u>FL</u> = Floor/Floor <u>FW</u> = Floor/Wall
Example	F520- 2	I	W-	4	FL



	F520- HR Rating <u>1,2,3</u> or <u>4</u>	Flange <u>Top</u> <u>Inside</u> <u>Bottom</u>	Type <u>Water Guard</u> <u>WD</u> rain Option -	Standard Joint Sizes <u>2,4,6,8,10,12,14,16</u> or <u>18</u>	Project Condition <u>FL</u> = Floor/Floor <u>FW</u> = Floor/Wall
Example	F520- 2	I	W-	4	FW



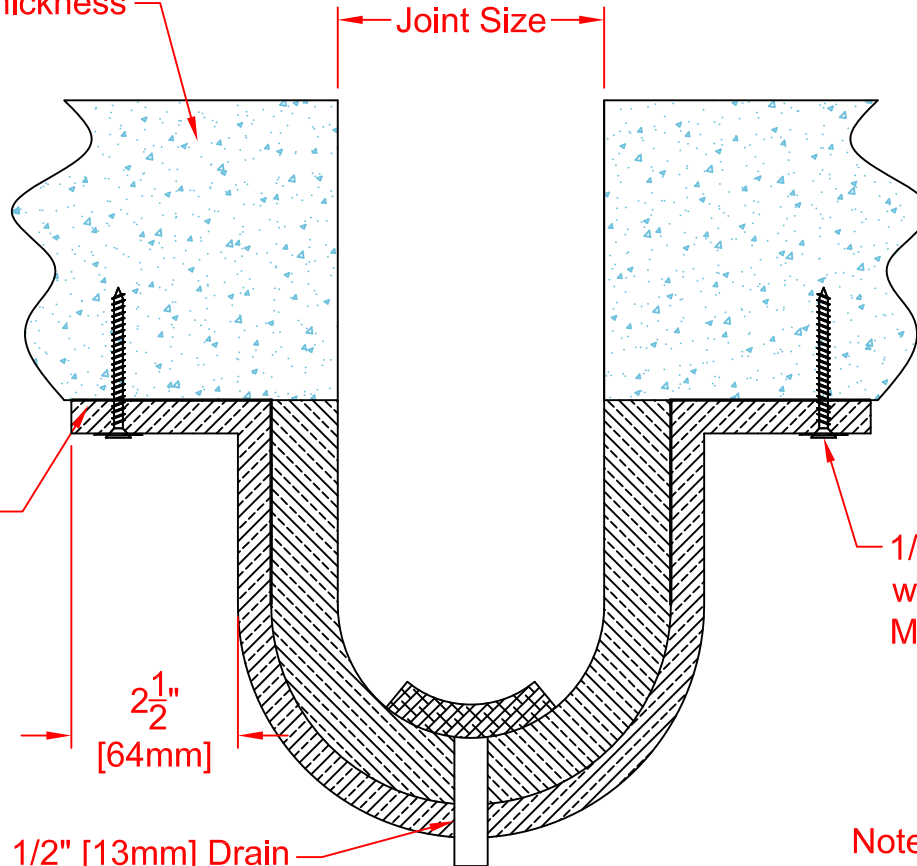
	F520- HR Rating <u>1,2,3 or 4</u>	Flange <u>Top</u> <u>Inside</u> <u>Bottom</u>	Type <u>Water Guard</u> <u>WD</u> rain Option -	Standard Joint Sizes <u>2,4,6,8,10,12,14,16 or 18</u>	Project Condition <u>FL</u> = Floor/Floor <u>FW</u> = Floor/Wall
Example	F520- 2	I	W-	4	FL



	F520- HR Rating <u>1,2,3 or 4</u>	Flange <u>Top</u> <u>Inside</u> <u>Bottom</u>	Type <u>Water Guard</u> <u>WDrain Option</u> -	Standard Joint Sizes <u>2,4,6,8,10,12,14,16 or 18</u>	Project Condition <u>FL</u> = Floor/Floor <u>FW</u> = Floor/Wall
Example	F520- 2	I	W-	4	FW

4 1/2" [114mm] Min. Slab Thickness

Joint Size



Galvanized Metal Flanges  
Both Sides Set In Continuous  
Bed Of Silicone Against  
Substrate (By Others)

1/4" [6mm] Flat Head Hardware  
w/ Washer or Hilti # X-U 32 P8 S15 Pin  
Max. 12" [304mm] O.C.(By Others)

2 1/2"  
[64mm]

Optional 1/2" [13mm] Drain  
With Prefilter

Note:  
Apply Continuous Silicone Caulk At Blanket  
End Flashing (Supplied By Jointmaster)

Part # Designation

	F520- HR Rating <u>1,2,3 or 4</u>	Flange <u>Top</u> <u>Inside</u> <u>Bottom</u>	Type <u>Water Guard</u> <u>WDrain Option</u> -	Standard Joint Sizes <u>2,4,6,8,10,12,14,16 or 18</u>	Project Condition <u>FL</u> = Floor/Floor <u>FW</u> = Floor/Wall
Example	F520- 2	B	W-	4	FL

**JOINTMASTER**<sup>®</sup>  
EXPANSION JOINT SYSTEMS

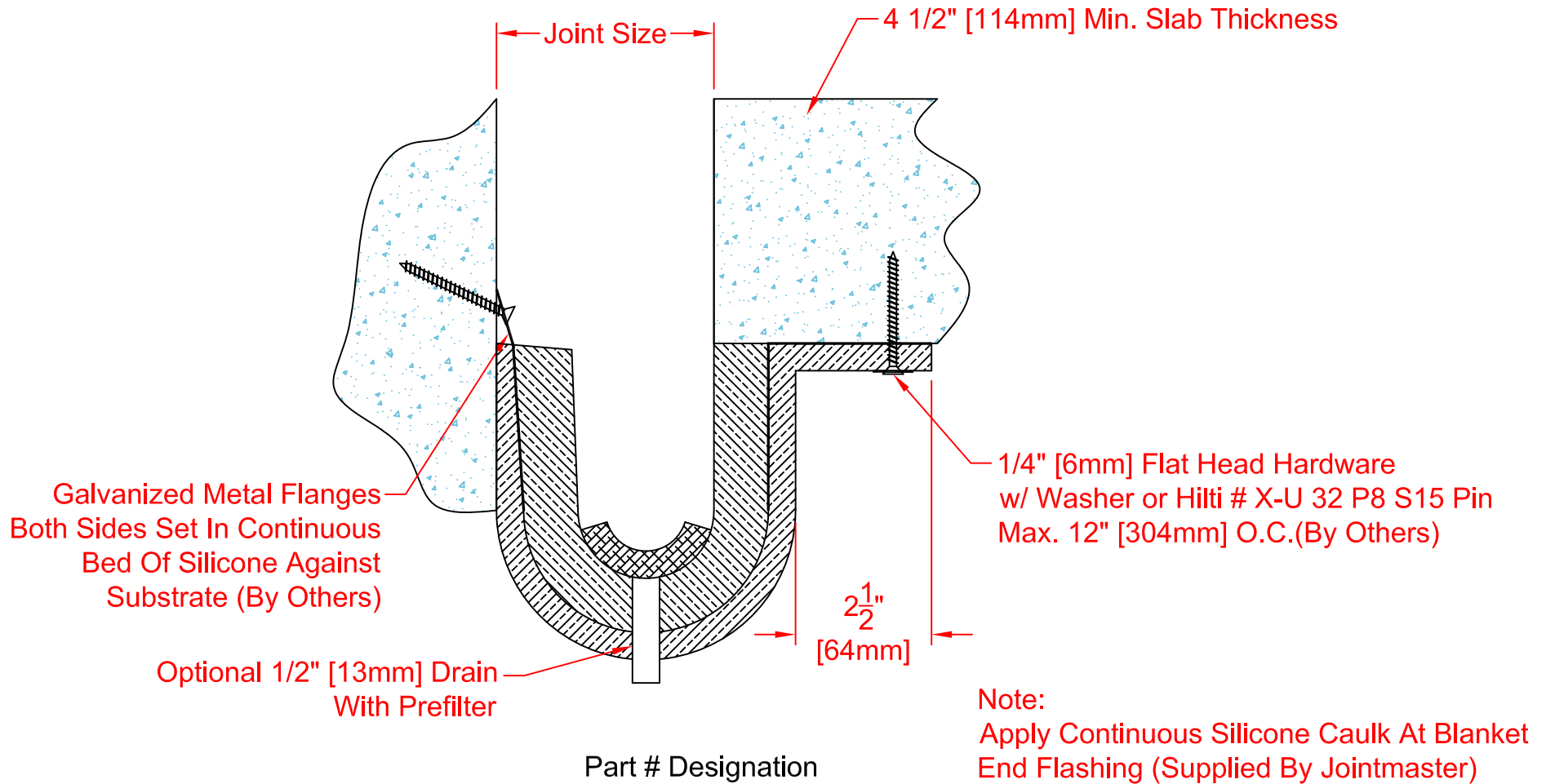
DATE: 2-10-16

SCALE: 1/3

DOC:CADJM.182/Rev3

APPLICATION-  
F520 WATER GUARD FIRE BLANKET BOTTOM MOUNT  
FLOOR/FLOOR

**inpro.**<sup>®</sup>



	F520- HR Rating <u>1,2,3 or 4</u>	Flange <u>Top</u> <u>Inside</u> <u>Bottom</u>	Type <u>Water Guard</u> <u>WD</u> rain Option -	Standard Joint Sizes <u>2,4,6,8,10,12,14,16 or 18</u>	Project Condition <u>FL</u> = Floor/Floor <u>FW</u> = Floor/Wall
Example	F520- 2	B	W-	4	FW