

Installation Instructions

F520 Water Guard Fire Barrier Floor to Floor Bottom Mount

STORE AND INSTALL BLANKETS SUCH THAT THE PRODUCT REMAINS DRY.

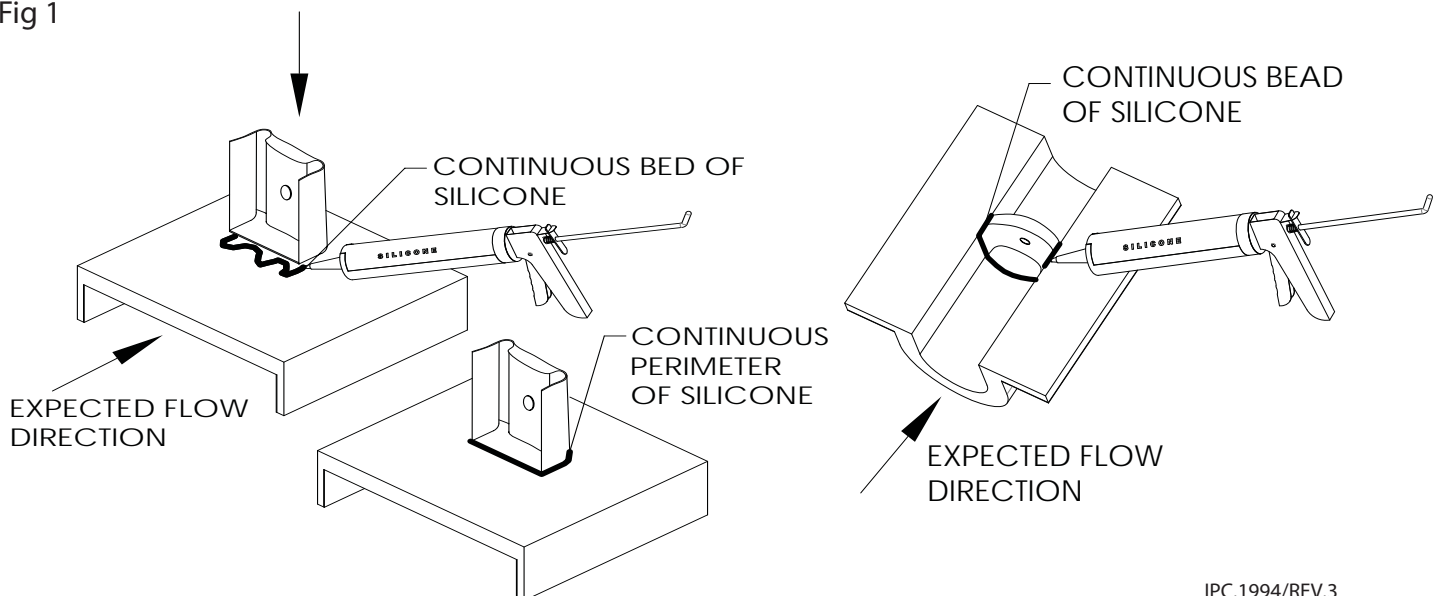
NOTES:

1. Verify that the structural gap and blockout dimensions are in conformance with submittal data before beginning installation. Certification of this product was completed by Guardian and Intertek Testing Laboratories. Product must be installed in accordance with these Installation Instructions.
2. If job site specific conditions exist, these general installation instructions do not take place of an Engineering Evaluation if required. Any modifications made to the product without documented manufacturing direction will void the warranty.
3. F520 Water Guard Fire Barrier is delivered pre-assembled. Factory transitions/directional changes must be installed first.
4. It is recommended that Water Guard be accessible from the top to best seal sections 3" [76mm] overlap and end/intermediate dams.
5. Clean Water Guard of all debris prior to installing expansion joint cover. If expansion joint cover is not immediately installed, the Water Guard must be protected from damage with a temporary cover (by others).

Figure 1- End Dam and Intermediate Installation (If applicable)

1. Verify in field the spacing and location of each End Dam/Intermediate Dam.
2. Prior to installation, lay the Water Guard flat and silicone the flap of the dam to the desired location on the Water Guard blanket. Dam must be centered (width wise) on blanket.
3. Flap should be positioned towards the expected flow of water.
4. Allow silicone to cure per directions on the tube.
5. Install Water Guard into joint. Bow the dam such that the convex side is facing to expected flow of water.
6. Apply silicone caulk at both sides of the perimeter of Dam. Ensure enough caulk is used to create a water tight seal at both sides of the perimeter.

Fig 1



IPC.1994/REV.3

Installation Hotline • 866.EZINPRO
Inprocorp.com • 800.222.5556 • 262.679.9010
World Headquarters S80 W18766 Apollo Drive, Muskego, WI 53150 USA

JOINTMASTER®
EXPANSION JOINT SYSTEMS
A DIVISION OF INPRO®

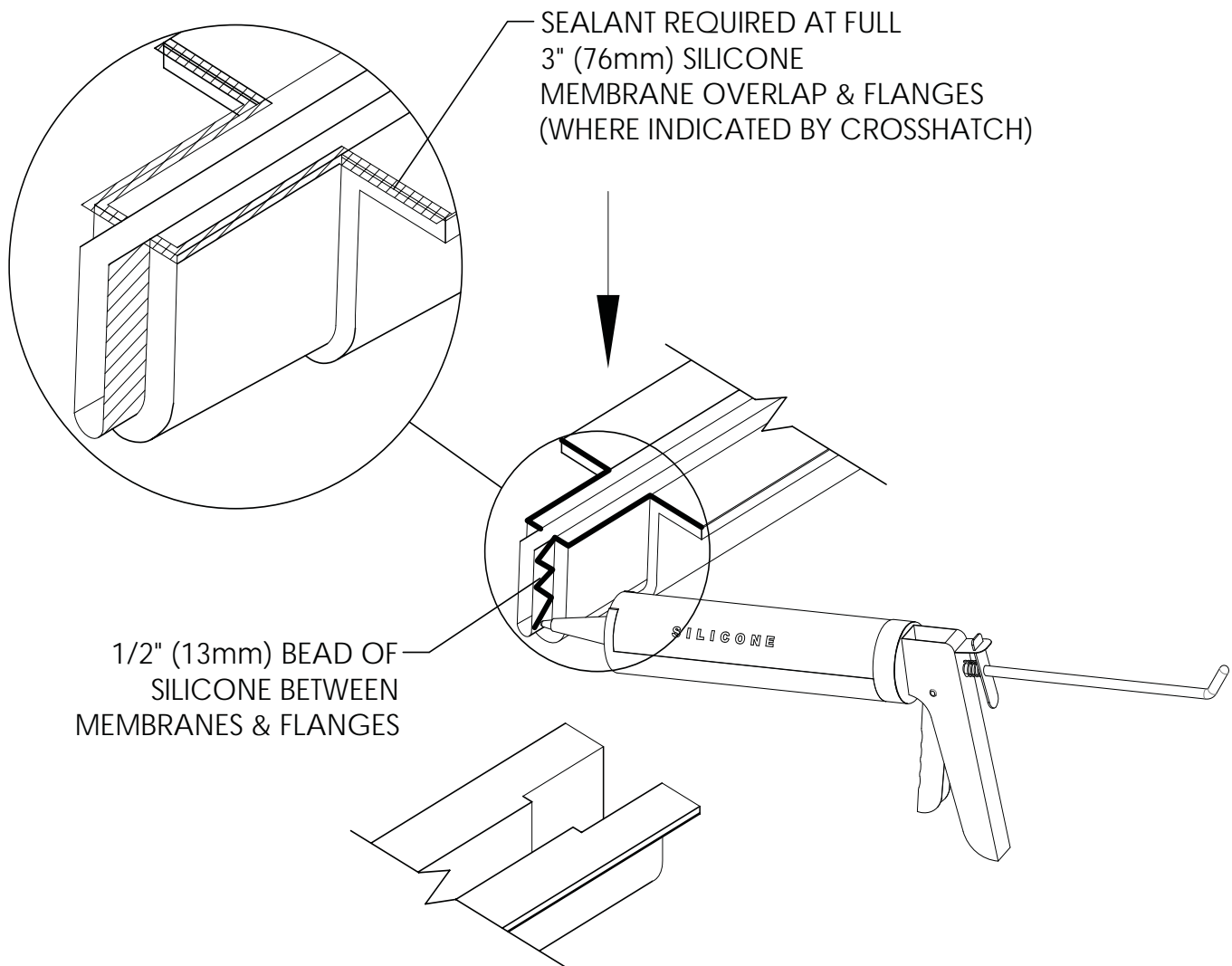
Installation Instructions

F520 Water Guard Fire Barrier Floor to Floor Bottom Mount

Figure 2- Silicone Membrane Overlap Installation

7. Silicone has a temperature range of -35°F (-37°C) to 140°F (60°C).
8. Apply 1/2" (13mm) wide bead of silicone (provided by JointMaster) 1" (25mm) from the end on to the next section without the overlap.
9. Press the silicone membrane overlap on to the next section.
10. Apply another 1/2" (13mm) bead of silicone on the overlap seam and the next section.
11. Finally put a bead on the seam of the galvanized flanges.

Fig 2



Installation Hotline • 866.EZINPRO

Inprocorp.com • 800.222.5556 • 262.679.9010

World Headquarters S80 W18766 Apollo Drive, Muskego, WI 53150 USA

JOINTMASTER®
EXPANSION JOINT SYSTEMS
A DIVISION OF INPRO®

Installation Instructions

F520 Water Guard Fire Barrier Floor to Floor Bottom Mount

Figure 3 General Installation

12. Remove the female end to create a butt end. Start at the outside wall with the butt end. Measure the depth of the wall to the back of the exterior cover, and cut the flange on the butt end that distance. Insert the end into the wall up to the exterior expansion cover. The F520 Water Guard Fire Barrier has 12" (305mm) overlap at each end. One end is the male and the other is the female. Sections are 4' (1.2m) long.

13. Fasten fire blanket on one side of the joint only to allow access to seal the F520 Water Guard seams at the 3" overlap. See previous page for F520 Water Guard seam installation.

14. If the exterior wall is fire rated reference figure 1a vertical wall fire barrier instructions.

15. Complete the install by installing all the female to female transitions, sealing all F520 Water Guard seams then fastening the second side.

Figure 3a (next page)

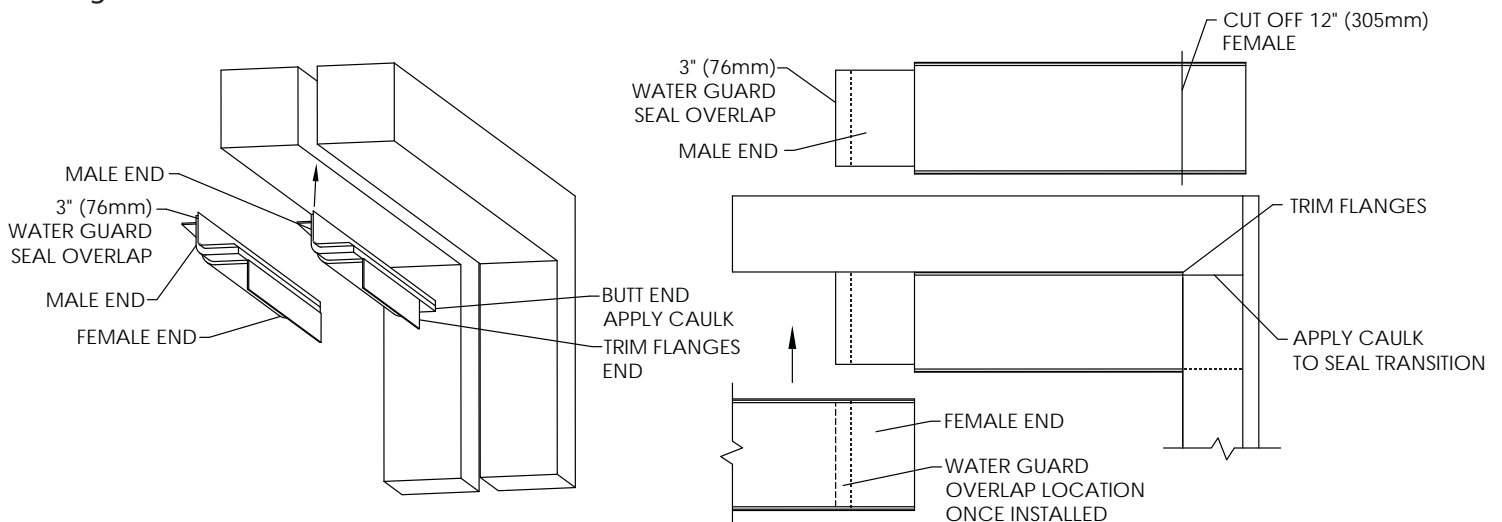
16. When you reach an interior wall measure the distance from the edge of the wall to the edge of the flange. Mark that distance on the flange of the next section of fire barrier. Measure the depth of the wall and trim the flanges that distance from the mark.

17. Slide the fire barrier thru the wall to the section of fire barrier. The trimmed flanges must line up with the wall.

18. If the wall is fire rated you must use a vertical butt end up to the bottom mount fire barrier.

19. Apply 3M CP25 Fire Caulk to the edge of the vertical butt end. Press tight to the bottom mount fire barrier. Be sure there are no voids between the two.

Fig 3



Installation Hotline • 866.EZINPRO

Inprocorp.com • 800.222.5556 • 262.679.9010

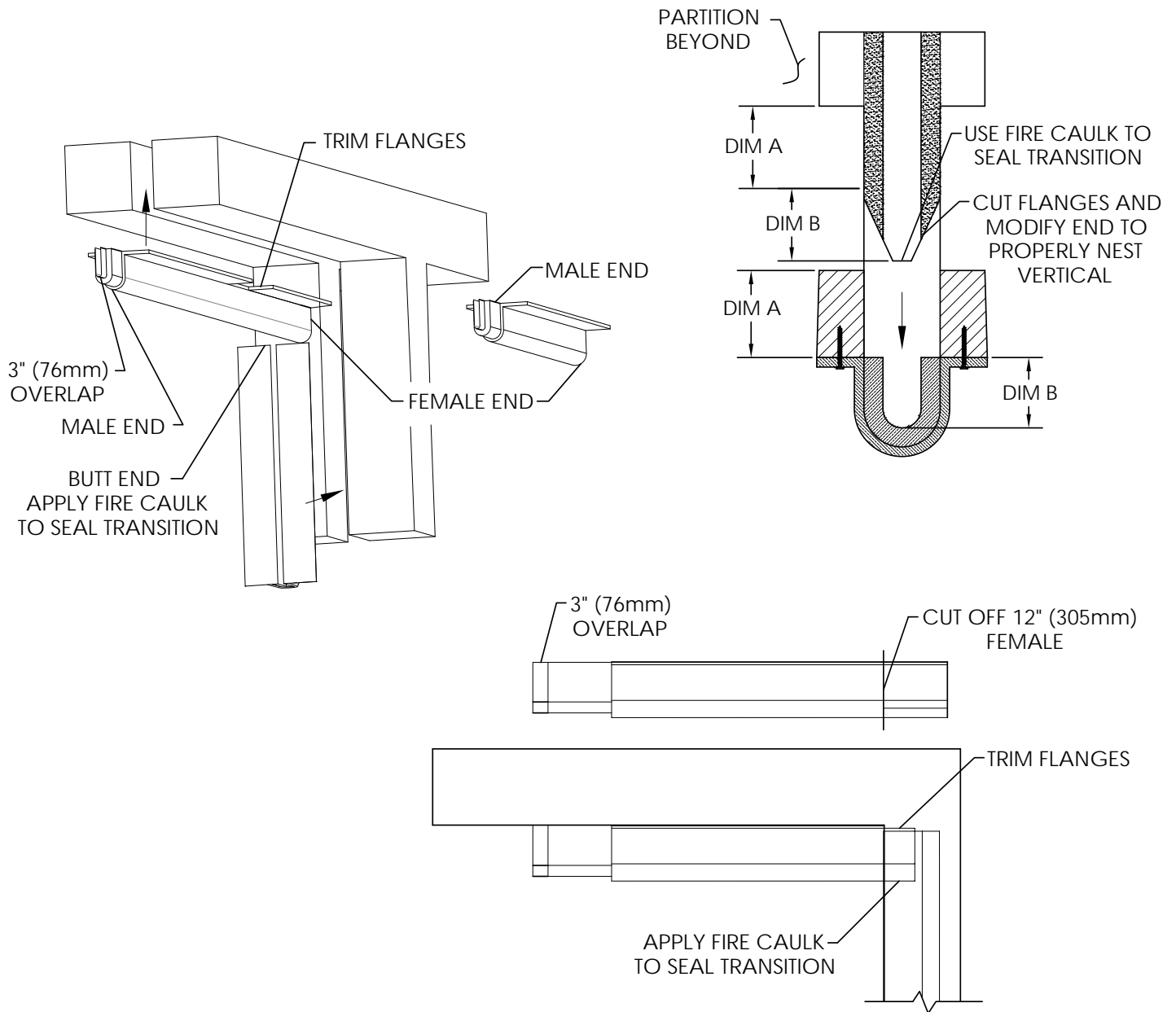
World Headquarters S80 W18766 Apollo Drive, Muskego, WI 53150 USA

JOINTMASTER®
EXPANSION JOINT SYSTEMS
A DIVISION OF INPRO®

Installation Instructions

F520 Water Guard Fire Barrier Floor to Floor Bottom Mount

Fig 3a



Installation Hotline • 866.EZINPRO

Inprocorp.com • 800.222.5556 • 262.679.9010

World Headquarters S80 W18766 Apollo Drive, Muskego, WI 53150 USA

JOINTMASTER®

EXPANSION JOINT SYSTEMS

A DIVISION OF INPRO®

Installation Instructions

F520 Water Guard Fire Barrier Floor to Floor Bottom Mount

Figure 4- Field Specific Lengths Work Flow

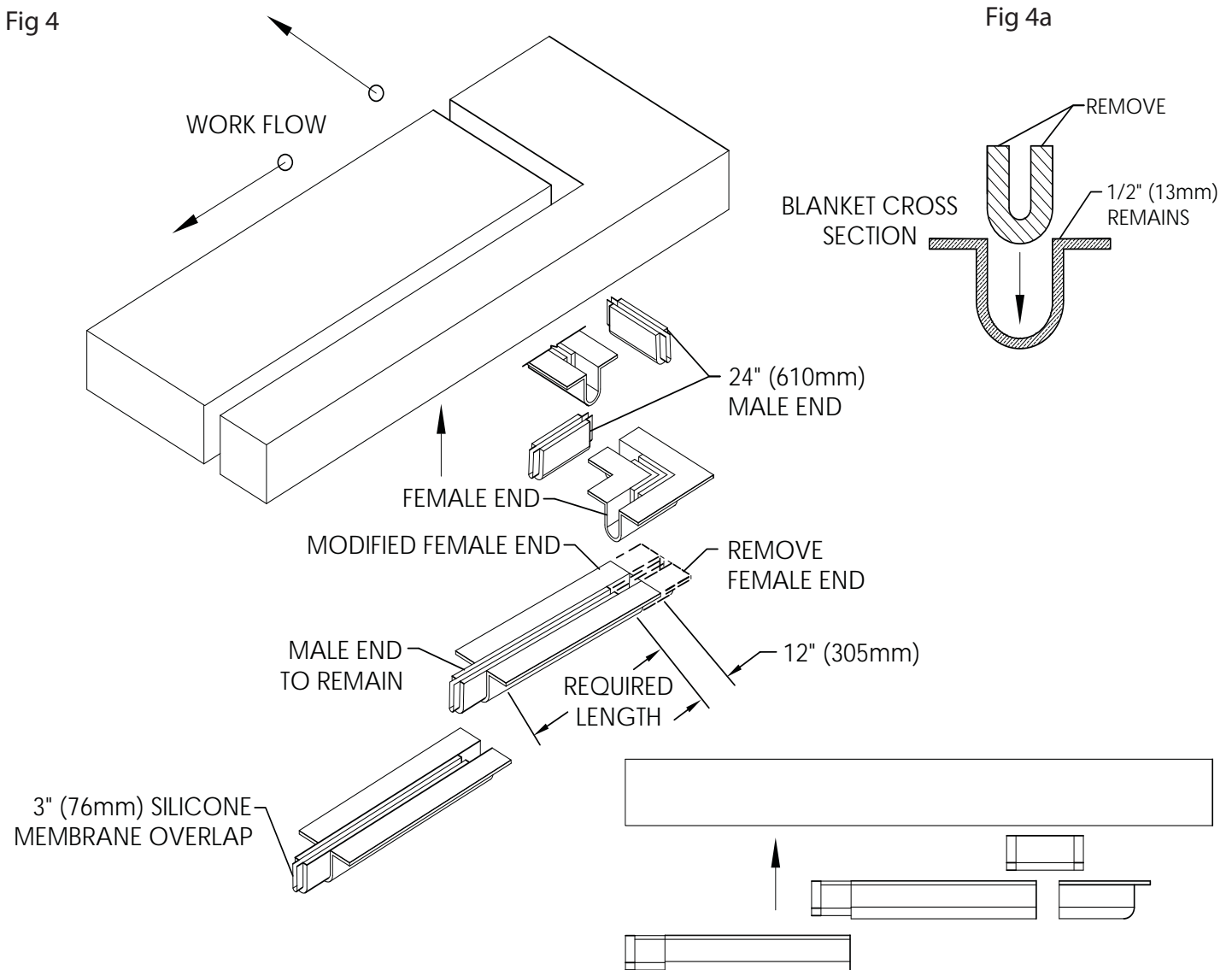
20. In the event a project requires a specific length, a female end can easily be recreated in the field to facilitate the next male end connection.

21. Measure the needed length from the edge of the flange to the other edge of the flange. Mark it on both sides.

22. Measure back 12" (305mm), using a razor remove the inside layer of white blanket material exposing the flanges (see Fig 4a). Remove the pins and cut the flanges off. The 1/2" (13mm) thick outer fire blanket will remain with the section.

23. In the female end install the 4 new pins/washers and bend the pins over.

24. Nest the 24" (610mm) male end into both female ends and fasten.



Installation Hotline • 866.EZINPRO

Inprocorp.com • 800.222.5556 • 262.679.9010

World Headquarters S80 W18766 Apollo Drive, Muskego, WI 53150 USA

JOINTMASTER®
EXPANSION JOINT SYSTEMS
A DIVISION OF INPRO®

Installation Instructions

F520 Water Guard Fire Barrier Floor to Floor Bottom Mount

Figure 5 & 5a

25. Flanges are galvanized metal. Ensure flanges are pressed tight and held flat to the substrate.

26. Utilize hardware appropriate for the substrate (supplied by others) with a max spacing of 12" (305mm) O.C.

27. Install hardware on only one side of the joint to allow access to the 3" wide silicon flashing F520 Water Guard seams. Allow silicon to cure per directions on the tube, then finish installing hardware on second side.

Examples of hardware for various conditions are:

- Floor- Hilti# X-U 32 P8 S15 pin with washer x 1 1/4" (32mm) or 1/4" (6mm) x 1 1/4" (32mm) concrete/ wood screw with washer
- Wall- Hilti# X-U 32 P8 S15 pin with washer x 1 1/4" (32mm) or Min 1/4" (6mm) x 1 1/4" (32mm) concrete/ self drilling screw with washer

Fig 5

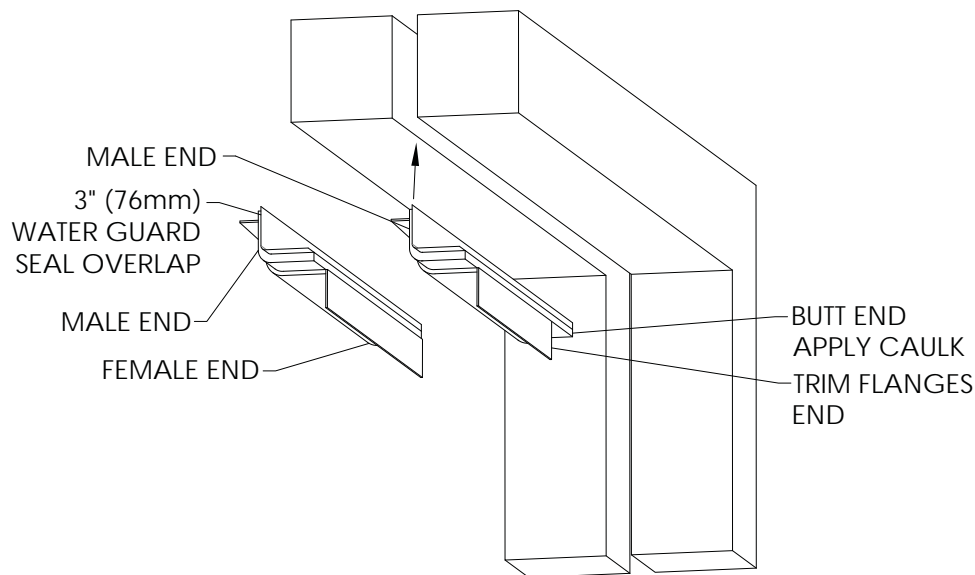
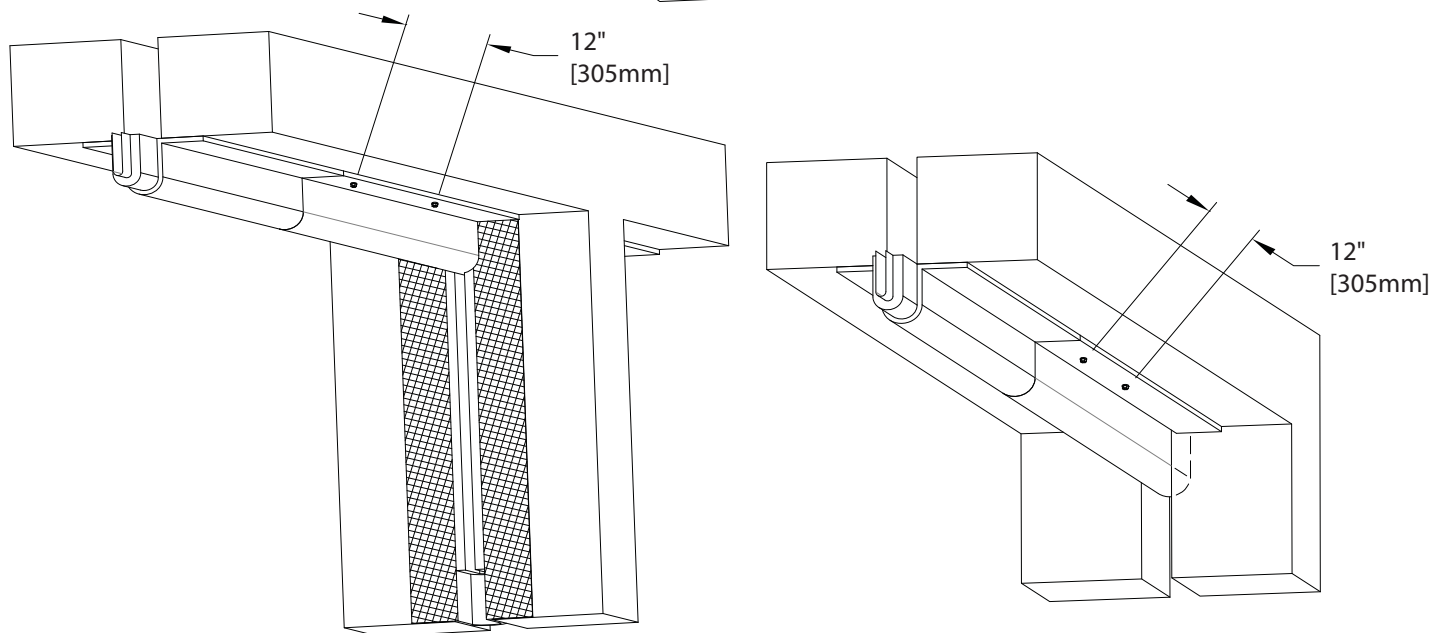


Fig 5a



Installation Hotline • 866.EZINPRO

Inprocorp.com • 800.222.5556 • 262.679.9010

World Headquarters S80 W18766 Apollo Drive, Muskego, WI 53150 USA

JOINTMASTER®
EXPANSION JOINT SYSTEMS
A DIVISION OF INPRO®

Installation Instructions

F520 Water Guard Fire Barrier Floor to Floor Bottom Mount

Figure 6 & 6a Floor/ Wall Installation

28. Fasten the vertical wall flange first. make sure the top of blanket in even with the bottom of the floor. Then fasten the horizontal to the floor.

Fig 6

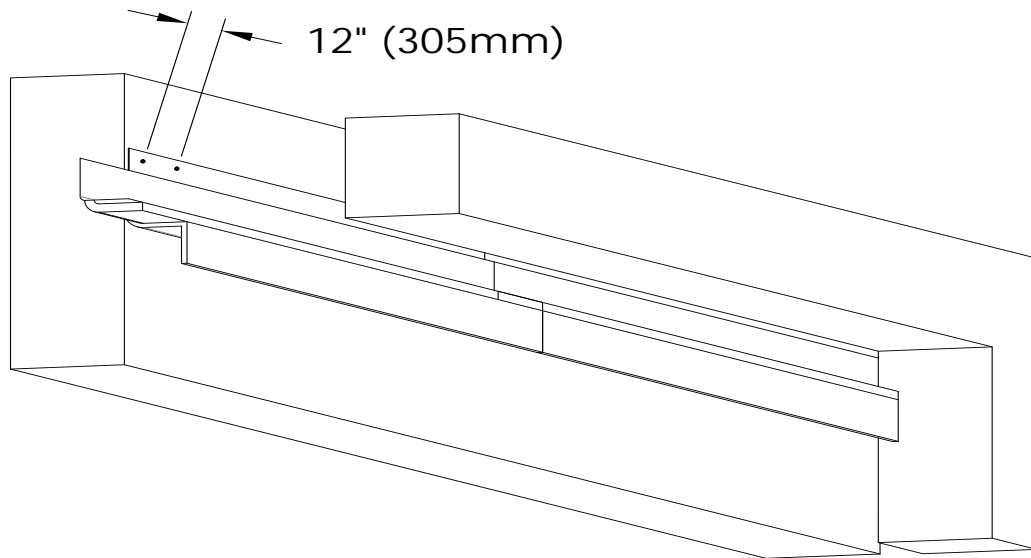
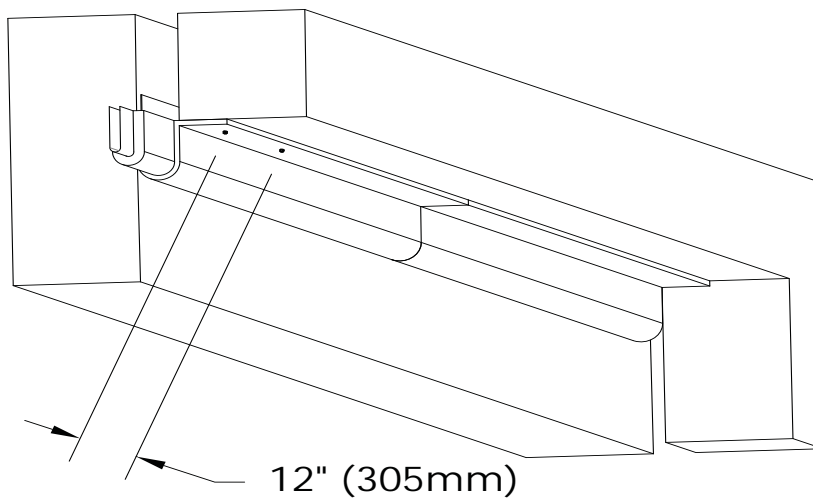


Fig 6a



Installation Hotline • 866.EZINPRO

Inprocorp.com • 800.222.5556 • 262.679.9010

World Headquarters S80 W18766 Apollo Drive, Muskego, WI 53150 USA

JOINTMASTER®
EXPANSION JOINT SYSTEMS
A DIVISION OF INPRO®

Installation Instructions

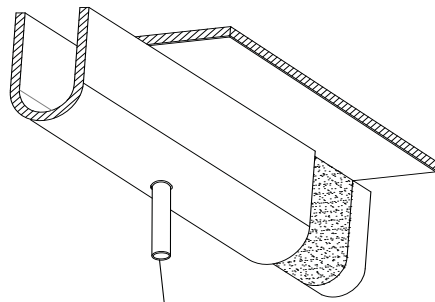
F520 Water Guard Fire Barrier with Drain Option

Figure 7 - Drain Connection

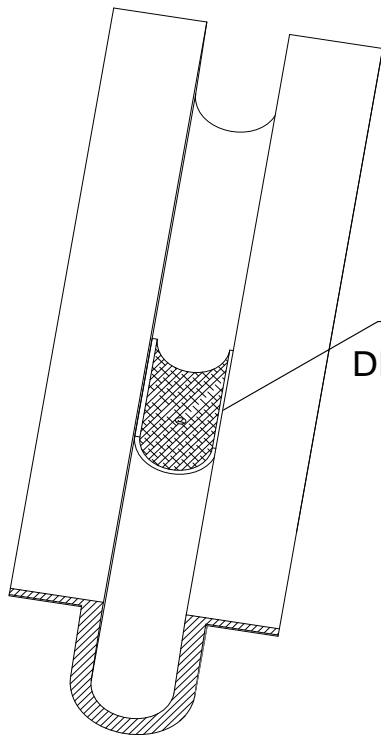
29. The optional drain is 1/2" (13mm) ID. Spacing to be determined prior to ordering by the Plumbing Engineer of record. The customer is responsible for drain attachment to project plumbing system.

30. Each drain tube is provided with a filter designed to prevent clogging. Ensure debris has been removed from Water Guard blanket prior to the installation of the cover.

Fig 7



1/2" [13mm] ID TUBE
(CENTERED ON WATERGUARD BLANKET
AS STANDARD LOCATION)



DRAIN FILTER (CENTERED OVER
DRAIN TUBE AS STANDARD LOCATION)

Installation Hotline • 866.EZINPRO

Inprocorp.com • 800.222.5556 • 262.679.9010

World Headquarters S80 W18766 Apollo Drive, Muskego, WI 53150 USA

JOINTMASTER®
EXPANSION JOINT SYSTEMS
A DIVISION OF INPRO®