

# Installation Instructions

## F520 Water Guard Fire Barrier Floor to Floor and Wall to Wall Top Mount

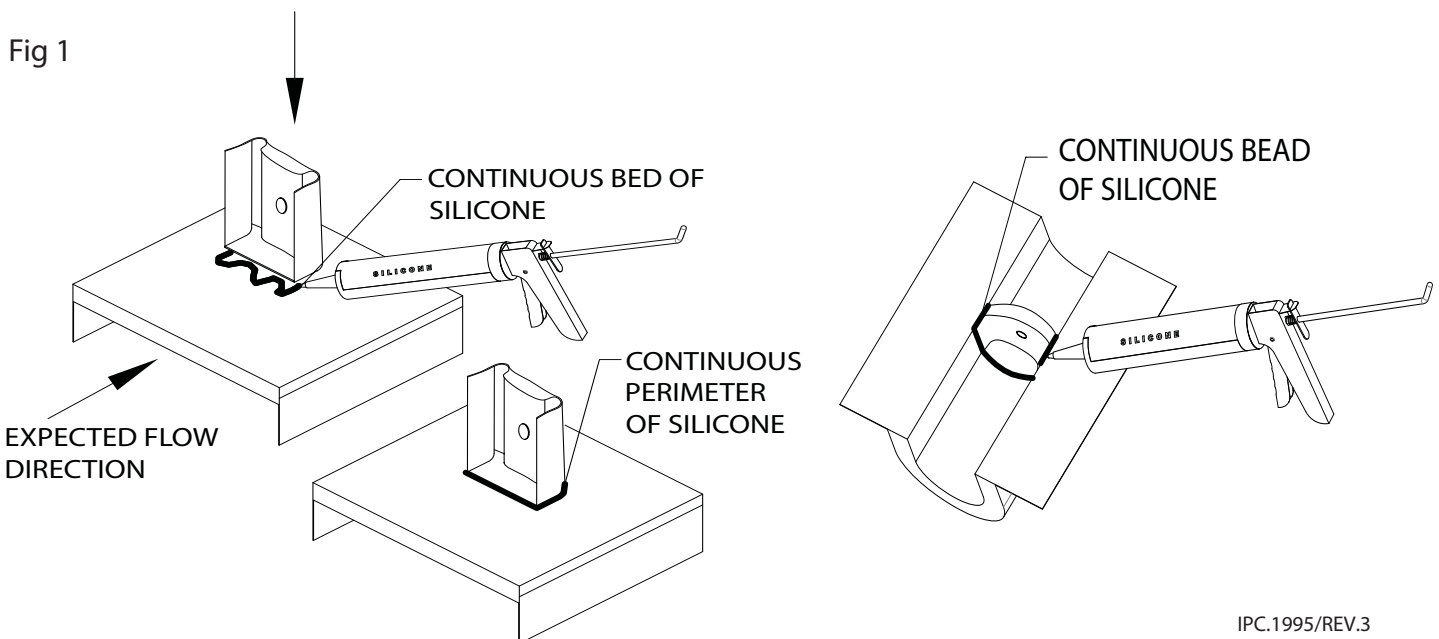
STORE AND INSTALL BLANKETS SUCH THAT THE PRODUCT REMAINS DRY.

### NOTES:

1. Verify that the structural gap and blockout dimensions are in conformance with submittal data before beginning installation. Certification of this product was completed by Guardian and Intertek Testing Laboratories. Product must be installed in accordance with these Installation Instructions.
2. If job site specific conditions exist, these general installation instructions do not take place of an Engineering Evaluation if required. Any modifications made to the product without documented manufacturing direction will void the warranty.
3. F520 Water Guard Fire Barrier is delivered pre-assembled. Factory transitions/directional changes must be installed first.
4. Clean Water Guard of all debris prior to installing expansion joint cover. If expansion joint cover is not immediately installed, the Water Guard must be protected from damage with a temporary cover (by others).

### Figure 1- End Dam and Intermediate Installation (If Dams are not specified on project proceed to figure 2)

1. Verify in field the spacing and location of each End Dam/Intermediate Dam.
2. Prior to installation, lay the Water Guard flat and silicone the flap of the dam to the desired location on the Water Guard blanket. Dam must be centered (width wise) on blanket. Caulk perimeter of flap including to back of the Dam.
3. Flap should be positioned towards the expected flow of water.
4. Allow silicone to cure per directions on the tube.
5. Install Water Guard into joint. Fold the Dam such that the convex side is facing to expected flow of water.
6. Liberally apply silicone caulk at both sides of the perimeter of Dam. Ensure enough caulk is used to create a water tight seal at full perimeter, leaving no openings.



IPC.1995/REV.3

Installation Hotline • 866.EZINPRO  
Inprocorp.com • 800.222.5556 • 262.679.9010  
World Headquarters S80 W18766 Apollo Drive, Muskego, WI 53150 USA

**JOINTMASTER®**  
EXPANSION JOINT SYSTEMS  
A DIVISION OF INPRO®

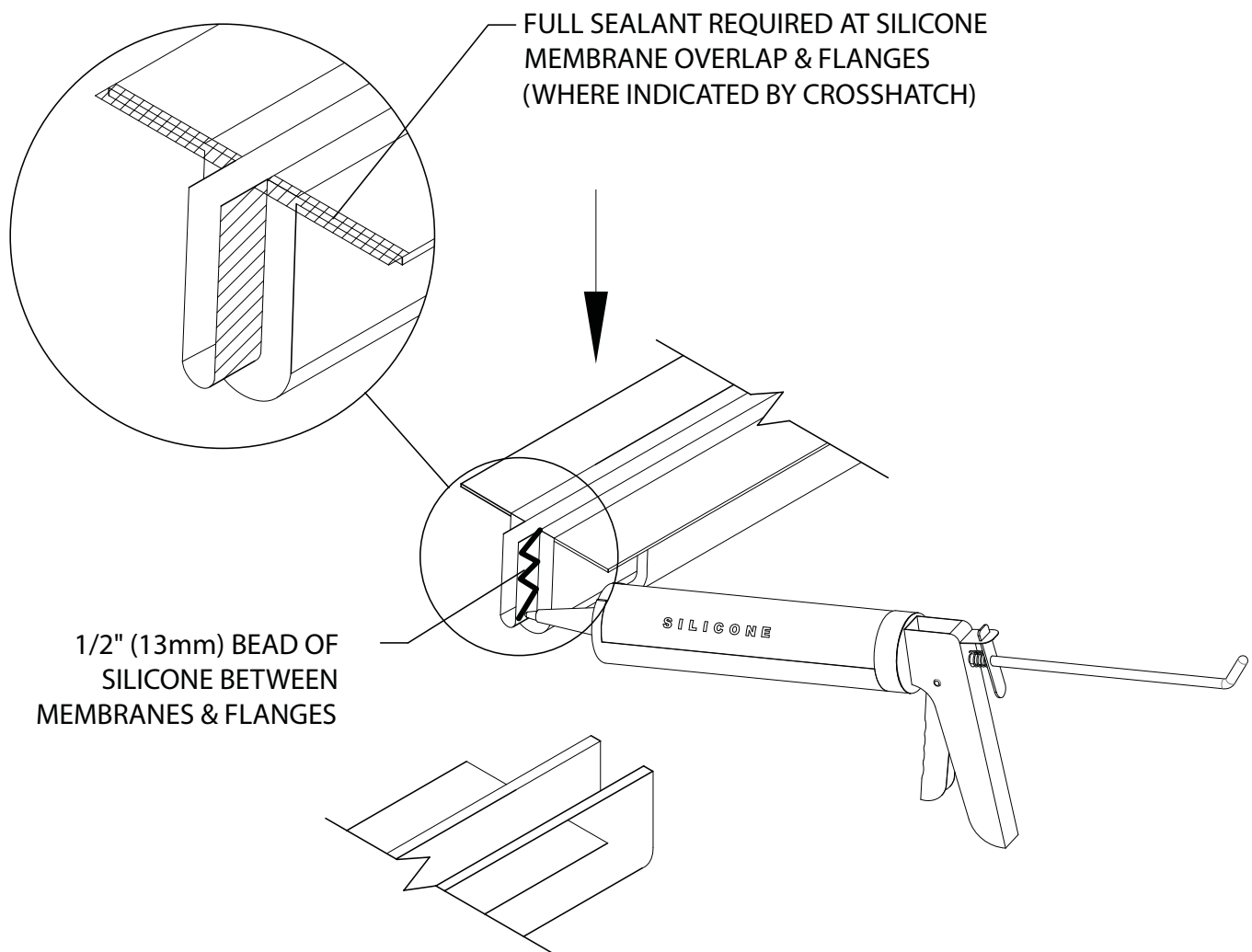
# Installation Instructions

## F520 Water Guard Fire Barrier Floor to Floor and Wall to Wall Top Mount

### Figure 2- Silicone Membrane Overlap Installation

7. Silicone has a recommended installation temperature range of -35°F (-37°C) to 140°F (60°C).
8. Apply 1/2" (13mm) wide bead of silicone (provided by JointMaster) 1" (25mm) from the end on to the next section without the overlap.
9. Press the silicone membrane overlap on to the next section.
10. Apply another 1/2" (13mm) bead of silicone on the overlap seam and the next section.
11. Finally put a bead on the seam of the galvanized flanges.

Fig 2



Installation Hotline • 866.EZINPRO

Inprocorp.com • 800.222.5556 • 262.679.9010

World Headquarters S80 W18766 Apollo Drive, Muskego, WI 53150 USA

**JOINTMASTER®**  
EXPANSION JOINT SYSTEMS  
A DIVISION OF INPRO®

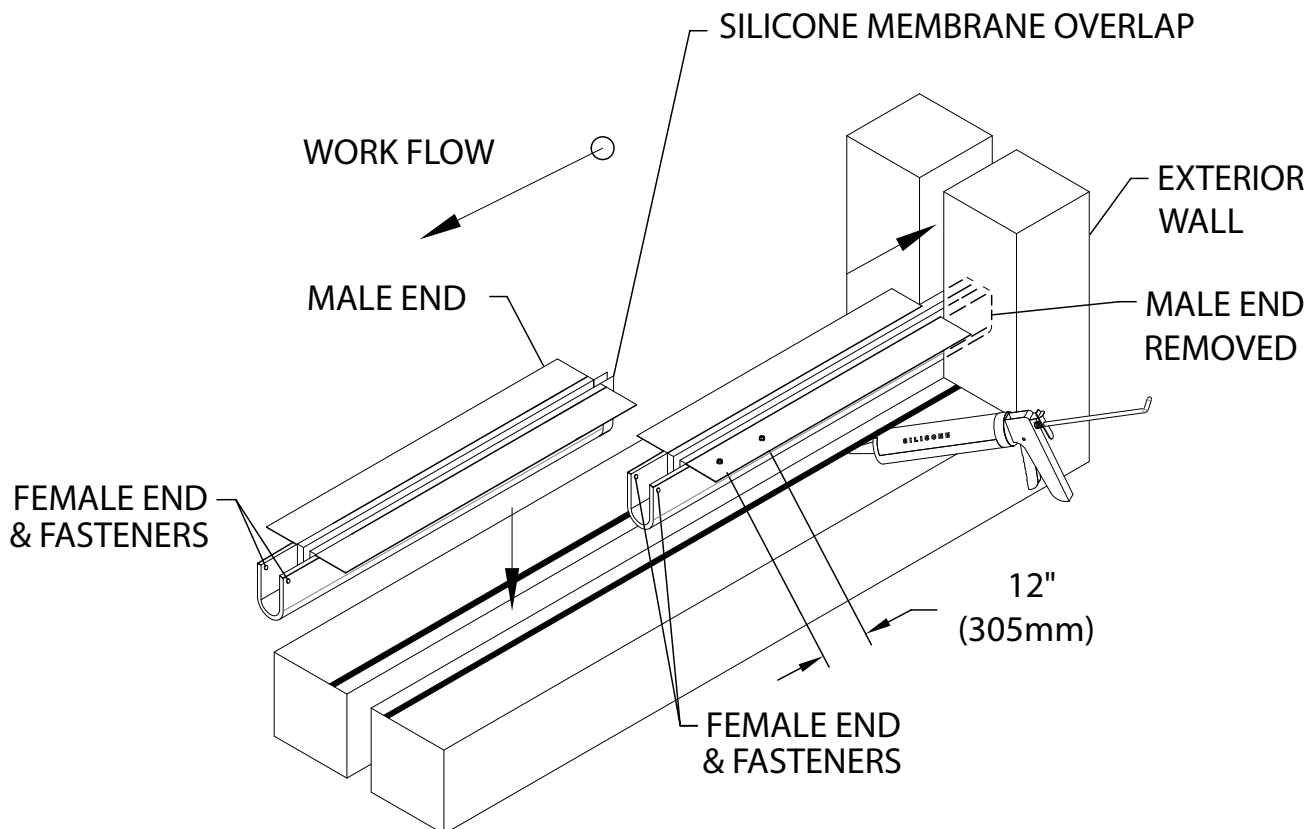
# Installation Instructions

## F520 Water Guard Fire Barrier Floor to Floor and Wall to Wall Top Mount

Figure 3- General Installation - Workflow

12. Apply a 1/2" (13mm) continuous bead or bed of substrate compatible sealant (supplied by others) underneath the flanges. The amount of sealant required will depend on the condition of substrate.
13. On the first section remove the male end and slide it into the wall. Install the next section, nesting the male into the female end tightly and secure the female with fasteners in each upper corner as depicted with hardware appropriate to the substrate.
14. Place the fire barrier into the expansion joint, F520 Fire Barrier has a 12" (305mm) overlap at each end. One end is the male and the other is the female. Always secure the female end with fasteners in the upper corner as depicted.
15. Flanges are galvanized metal. Ensure flanges are pressed tight and held flat to the substrate and silicone is fully engaged.
16. Utilize hardware appropriate to the substrate (supplied by others) with a maximum spacing of 12" (305mm) O.C. Examples of hardware for various conditions are:
  - Floor- Hilti# X-U 32 P8 S15 pin with washer x 1 1/4" (32mm) or 1/4" (6mm) x 1 1/4" (32mm) concrete/ wood screw with washer
  - Wall- Hilti# X-U 32 P8 S15 pin with washer x 1 1/4" (32mm) or Min 1/4" (6mm) x 1 1/4" (32mm) concrete/ self drilling screw with washer

Fig 3



Installation Hotline • 866.EZINPRO

Inprocorp.com • 800.222.5556 • 262.679.9010

World Headquarters S80 W18766 Apollo Drive, Muskego, WI 53150 USA

**JOINTMASTER®**  
EXPANSION JOINT SYSTEMS  
A DIVISION OF INPRO®

# Installation Instructions

## F520 Water Guard Fire Barrier Floor to Wall and Wall to Corner Top Mount

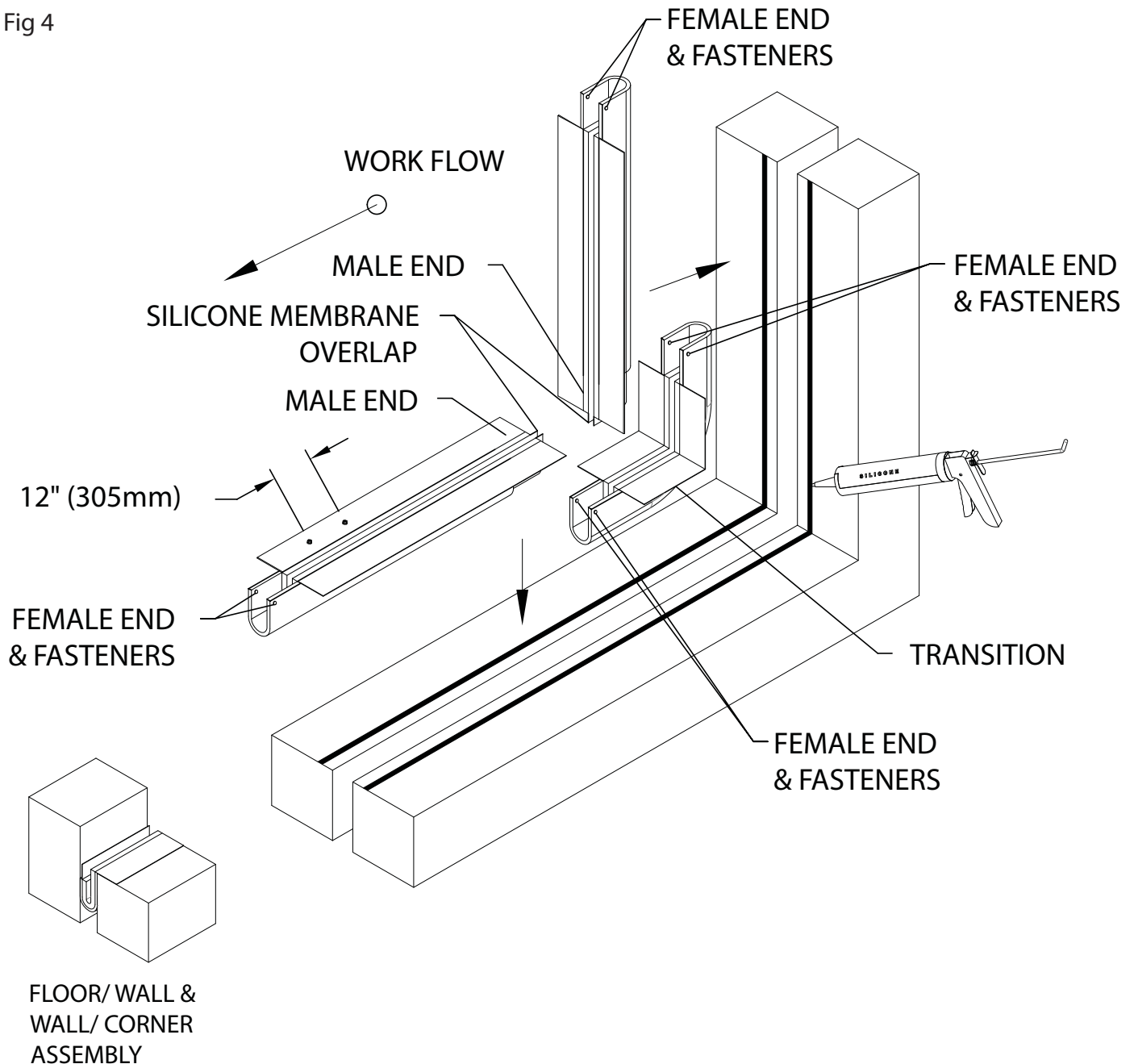
### Figure 4- Transition Installation - Workflow (If Applicable)

17. Begin by installing the female-ended transition.

18. Secure each 12" (305mm) flange into place with hardware to the appropriate substrate. Always install the vertical blanket with the female end up as shown in Fig. 4.

19. Continue fire barrier installation per Fig. 3.

Fig 4



Installation Hotline • 866.EZINPRO

Inprocorp.com • 800.222.5556 • 262.679.9010

World Headquarters S80 W18766 Apollo Drive, Muskego, WI 53150 USA

**JOINTMASTER®**  
EXPANSION JOINT SYSTEMS  
A DIVISION OF INPRO®

# Installation Instructions

## F520 Water Guard Fire Barrier Floor to Floor and Wall to Corner Top Mount

Figure 5- Continuous Horizontal Blanket With Vertical Termination (If Applicable)

20. Remove the male end of the fire barrier.

21. Next measure the depth of (Dim A) and the inside bellows (Dim B). Cut a "V" shape to match the space within the blanket. Flange trimming may be required.

22. Install the modified end into the throat of the floor and insert the fire barrier into the wall. Be sure there are no voids between the two. Fire caulk and silicone at connection point to ensure no air gap exists.

SEE FIG. 5a

22a. Once the vertical blanket has been successfully seated into the horizontal blanket and any voids have been fire caulked, seat a piece of silicone membrane as shown. Use the provided silicone caulk to seat the silicone membrane flashing. SEE FIG. 5b

Fig 5

### TRANSITION INTERSECTION DETAIL

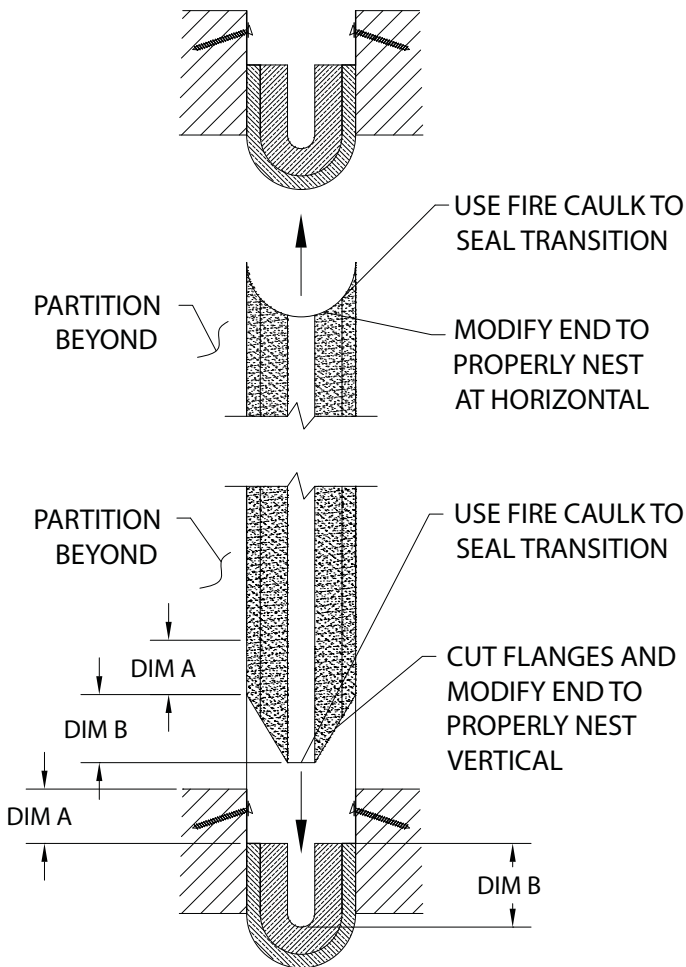


Fig 5a

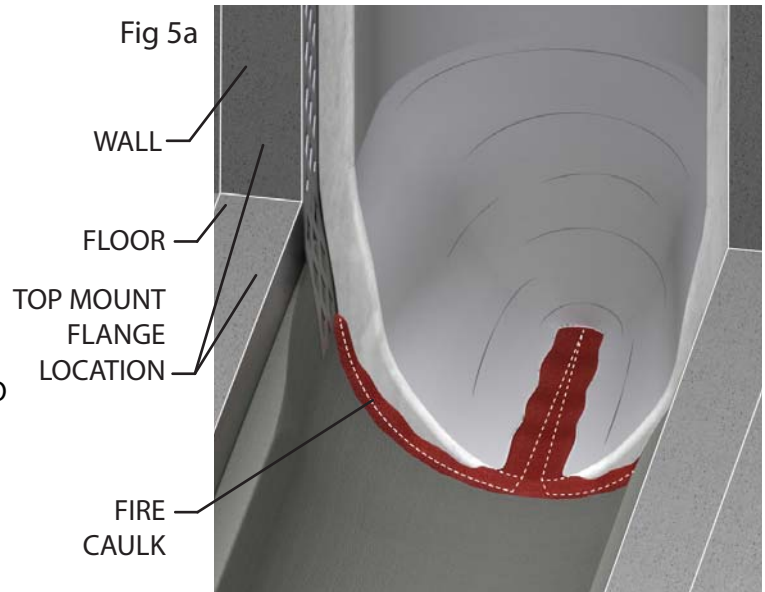
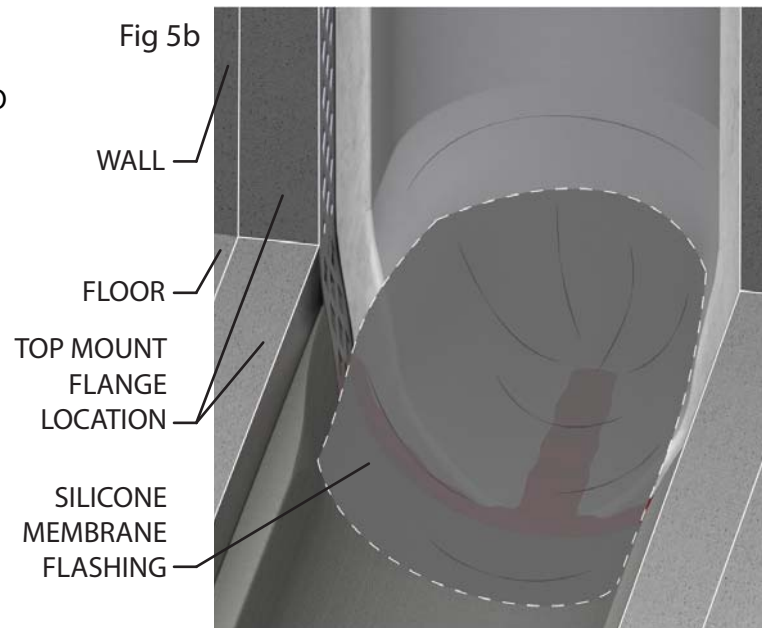


Fig 5b



Installation Hotline • 866.EZINPRO

Inprocorp.com • 800.222.5556 • 262.679.9010

World Headquarters S80 W18766 Apollo Drive, Muskego, WI 53150 USA

**JOINTMASTER®**  
EXPANSION JOINT SYSTEMS  
A DIVISION OF INPRO®

# Installation Instructions

## F520 Water Guard Fire Barrier Floor to Wall and Wall to Corner Top Mount

Figure 6- Field Specific Lengths - Work Flow (If Applicable)

23. In the event a project requires a specific length, a female end can easily be recreated in the field to facilitate the next male end connection.
24. Measure the needed length from the edge of the flange to the other edge of the flange. Mark it on both sides.
25. Measure back 12" (305mm), using a razor remove the inside layer of white blanket material exposing the flanges (see Fig 6a). Remove the pins and cut the flanges off. The 1/2" (13mm) thick outer fire blanket will remain with the section.
26. In the female end install the 4 new pins/washers and bend the pins over.
27. Nest the 24" (610mm) male end into both female ends and fasten.

Fig 6

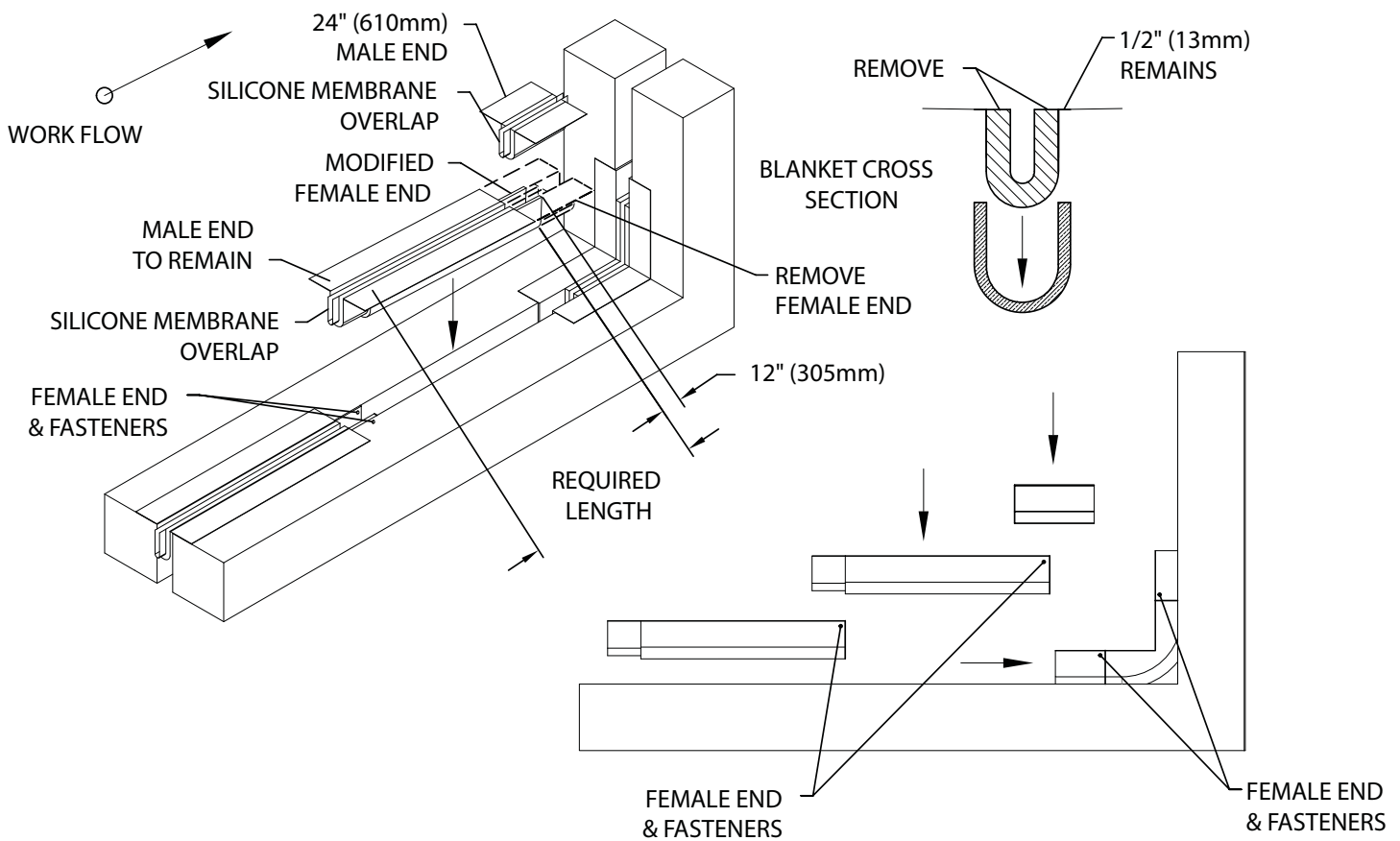


Fig 6a

Fig 6b

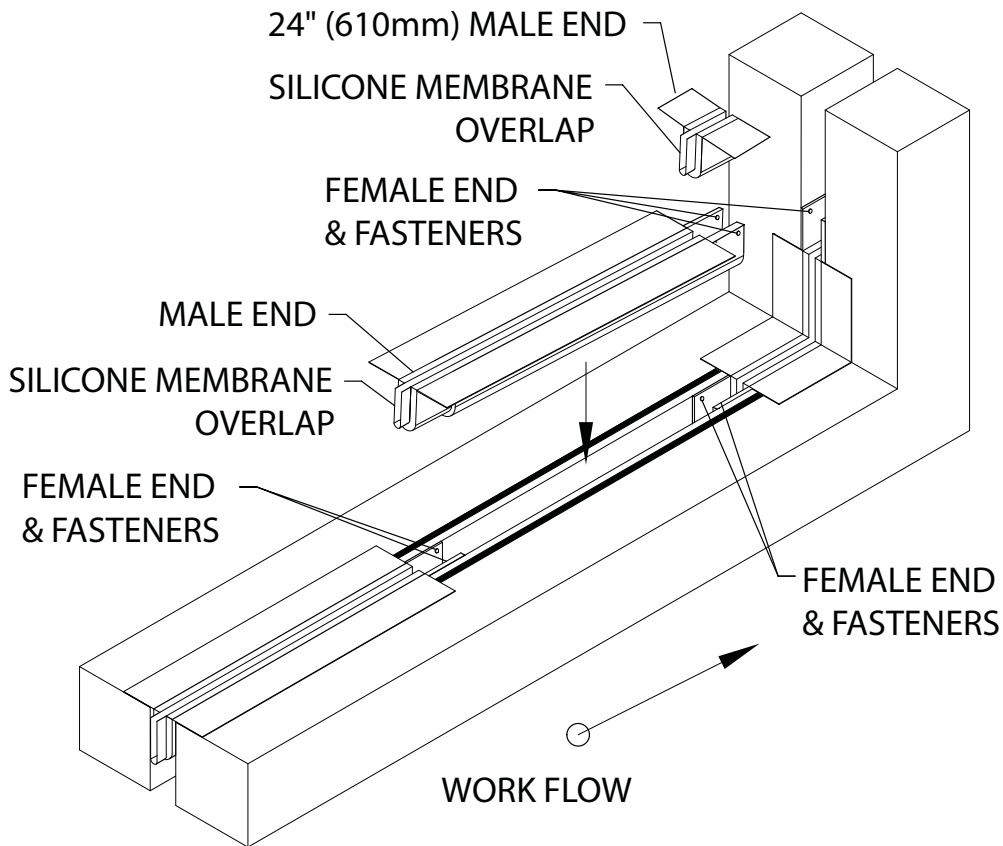
# Installation Instructions

## F520 Water Guard Fire Barrier Floor to Wall and Wall to Corner Top Mount

Figure 7 - Field Conditions Of Whole Fire Blanket Increments - Work Flow 4' (1.2m)

28. In these conditions you must remove the first male end and use it in the last female end. Cut silicone membrane such that end can be encapsulated with silicone caulk.
29. Remove the pins and cut the fire blanket in line with the edge of the flange. Set male end aside for later installation.
30. Install all the sections except for the last one.
31. Take the male end that is set aside and nest into the last female end.
32. Install the new pins/washers and bend the pins over.
33. Vacuum all debris from the fire barrier before the cover is installed.

Fig 7



Installation Hotline • 866.EZINPRO

Inprocorp.com • 800.222.5556 • 262.679.9010

World Headquarters S80 W18766 Apollo Drive, Muskego, WI 53150 USA

**JOINTMASTER®**  
EXPANSION JOINT SYSTEMS  
A DIVISION OF INPRO®



# Installation Instructions

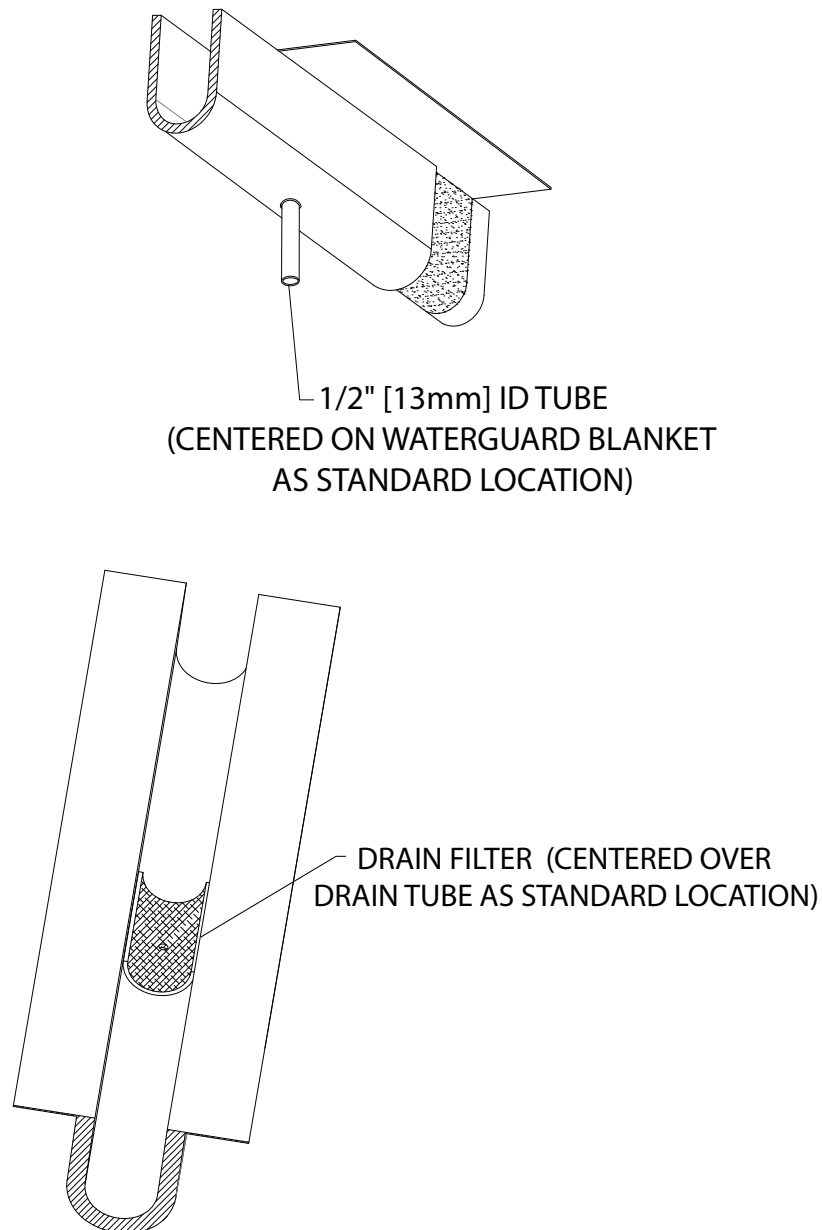
## F520 Water Guard Fire Barrier with Optional Drain

### Figure 8 - Drain Connection

34. The optional drain is 1/2" (13mm) ID. Spacing to be determined prior to ordering by the Plumbing Engineer of record. The customer is responsible for drain attachment to project plumbing system.

35. Each drain tube is provided with a filter designed to prevent clogging. Ensure debris has been removed from Water Guard blanket prior to the installation of the cover.

Fig 8



Installation Hotline • 866.EZINPRO

Inprocorp.com • 800.222.5556 • 262.679.9010

World Headquarters S80 W18766 Apollo Drive, Muskego, WI 53150 USA

**JOINTMASTER®**  
EXPANSION JOINT SYSTEMS  
A DIVISION OF INPRO®