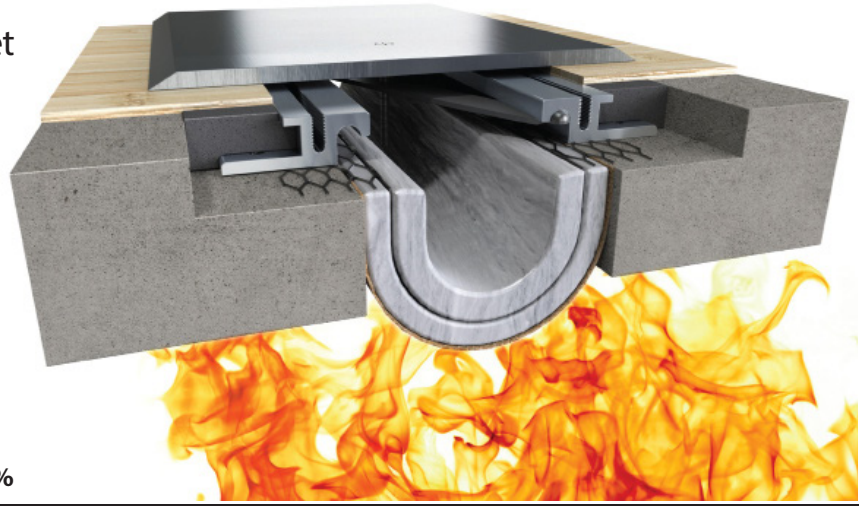


Fireline™ 520

Fire Barrier Systems - Fire Blanket
Floors and Walls



Movement Rating \pm 50%

Product Guide



Thermal



Exterior



Interior

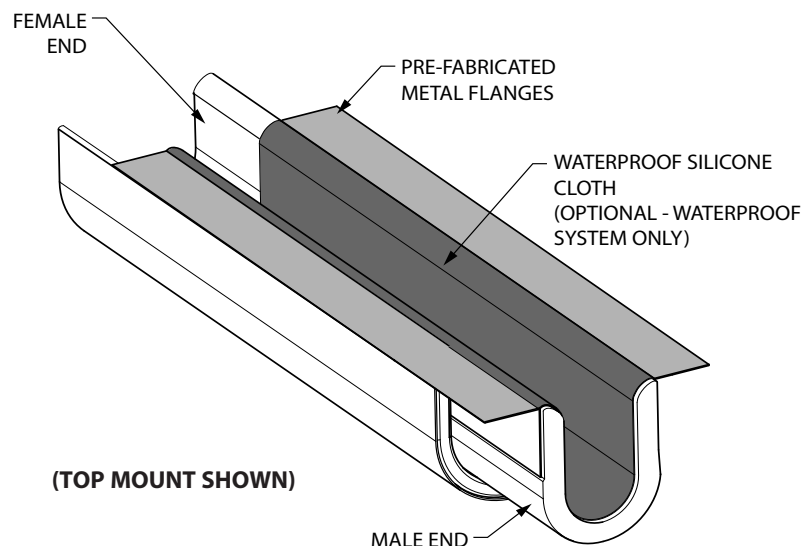


Fire Rated
Option



Vapor Barrier
Option

- ▶ 1, 2, 3 and 4 hour rated floor systems (contact your JointMaster Rep for 4 hr blanket information)
- ▶ 1,2,3 and 4 hour rated wall systems (contact your JointMaster Rep for 4 hr blanket information)
- ▶ Tested in accordance with:
 - UL 2079/ ULC-S115 "FTH"/ BS EN 1366-4 (FTH: Rating Fire, Temperature and Hose)
 - ASTM-E119/E1399/E1966
- ▶ \pm 50% movement.
- ▶ Joint widths from 150mm [6"] to 203mm [8"] wide. Blankets provided in 3m [118"] lengths.
- ▶ No fire caulk required at splices
- ▶ Single sided installation available for horizontals
- ▶ Single and dual sided installation available for verticals
- ▶ Pre-attached flanges drastically reduce labor cost and ensure uniform installation
- ▶ Sections come with factory made male to female splices, eliminating the need for complex field manipulation at seams (see image below)
- ▶ Mounting configurations available for both wall and floor conditions:
 - Top (flush) mount
 - Inside (recessed) mount



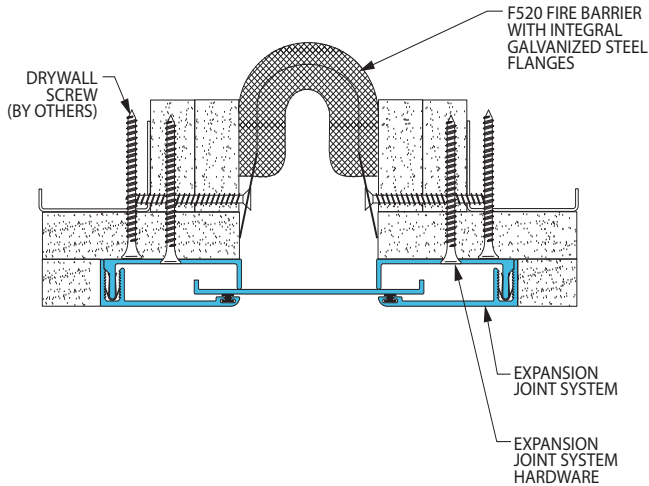
IPC.3123/Rev.1

Fireline™ 520

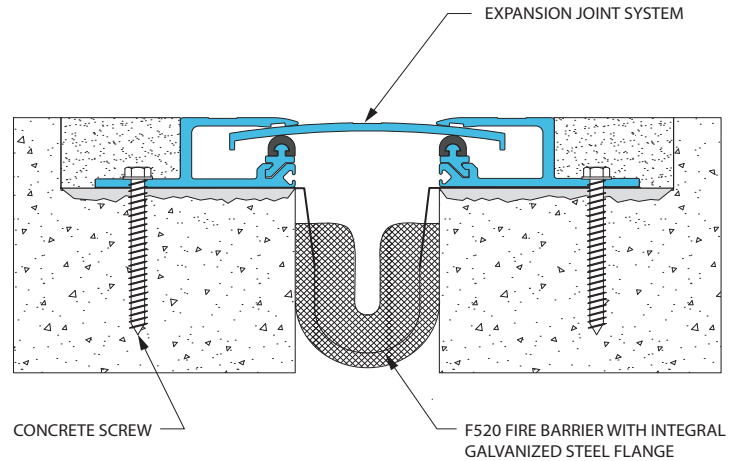
Fire Barrier Systems

NOTE: The adjacent construction assemblies (i.e. deck & walls) must be constructed of a tested, rated system.

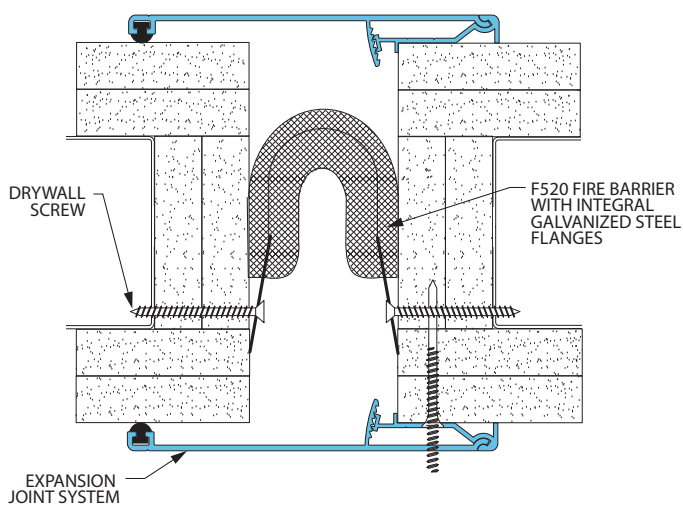
**Top (Flush) Mount - Wall to Wall
(300-A07 System Shown)**



**Top (Flush) Mount - Floor to Floor
(300-A01 System Shown)**



**Dual Sided Vertical- Wall to Wall
(811-A07 System Shown)**



**Inside (Recessed) Mount - Floor to Floor
(430-A01 System Shown)**

