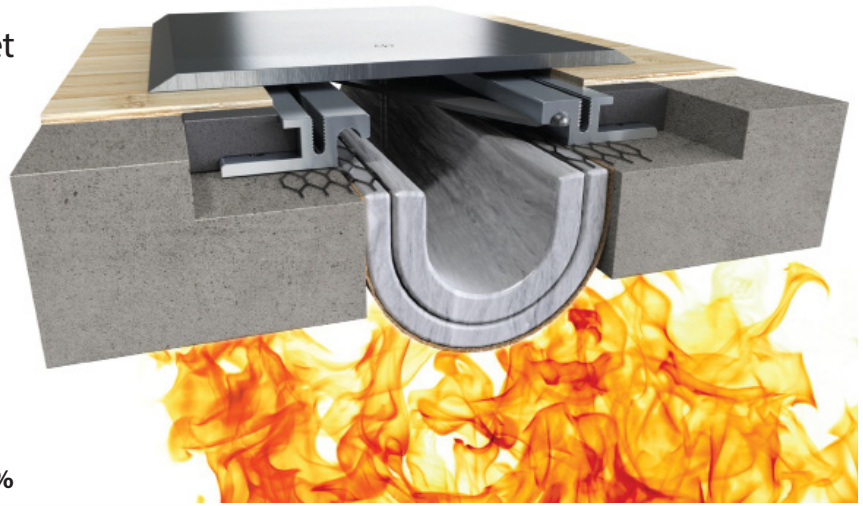


Fireline™ 520

Fire Barrier Systems - Fire Blanket
Floors and Walls



Movement Rating \pm 50%

Product Guide



Thermal



Exterior



Interior

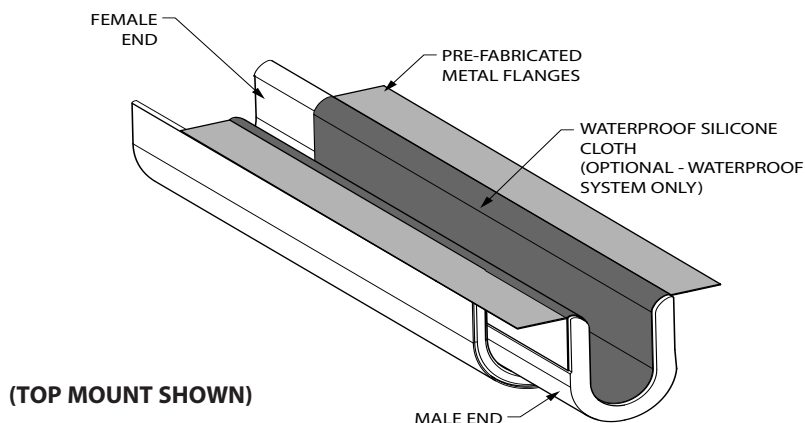


Fire Rated
Option



Vapor Barrier
Option

- ▶ 1, 2 and 3 hour rated floor and wall systems.
- ▶ Tested in accordance with:
 - UL 2079
 - ULC-S115
 - BS EW 1366.4
- ▶ \pm 80% movement capability available.
- ▶ Applicable for joint widths from 4" [102mm] - 24" [610mm] wide.
- ▶ Single and dual faced protection available for walls.
- ▶ Sections come with pre-attached flanges and factory made male to female splices, eliminating the need for complex field manipulation at seams.
- ▶ Pre-attached flanges dramatically reduce installation costs and ensure uniform installation.
- ▶ No labor intensive fire caulk required for installation.
- ▶ Multiple mounting configurations available for both wall and floor conditions:
 - Top (surface) mount
 - Inside (recessed) mount
 - Bottom Mount
- ▶ Factory fabricated horizontal and vertical transitions available.
- ▶ "Water Guard" systems are available to protect the blanket system and fire rating during and after construction of open structures such as parking facilities and stadiums (reference alternate technical data sheet).

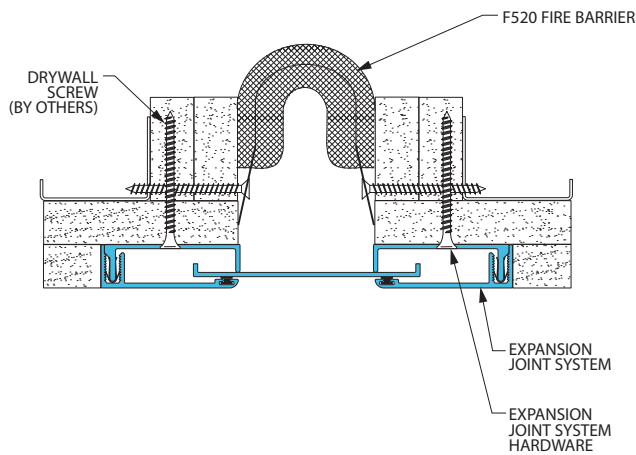


IPC.1831/Rev.8

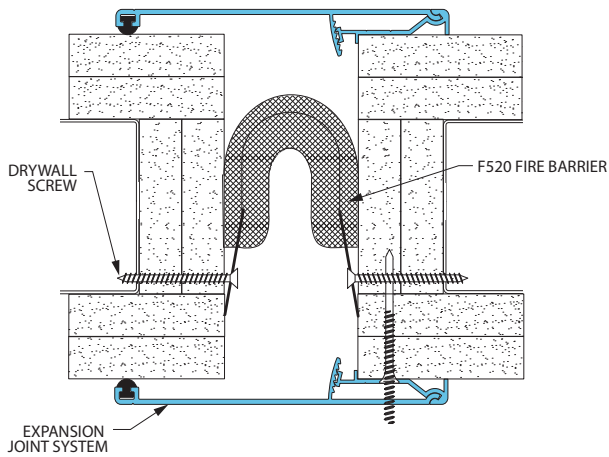
Fireline™ 520

Fire Barrier Systems

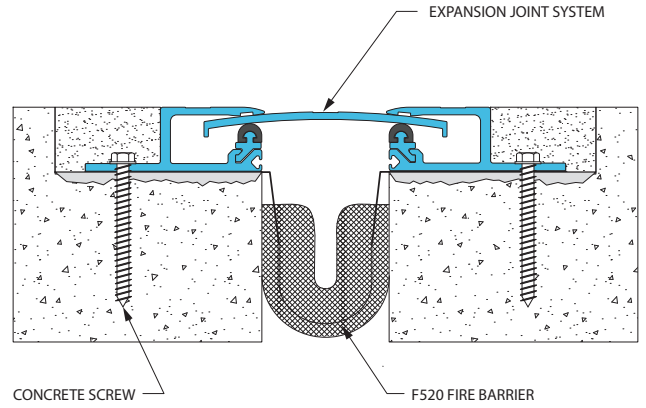
**Top (Flush) Mount - Wall to Wall
(300-A07-075 System Shown)**



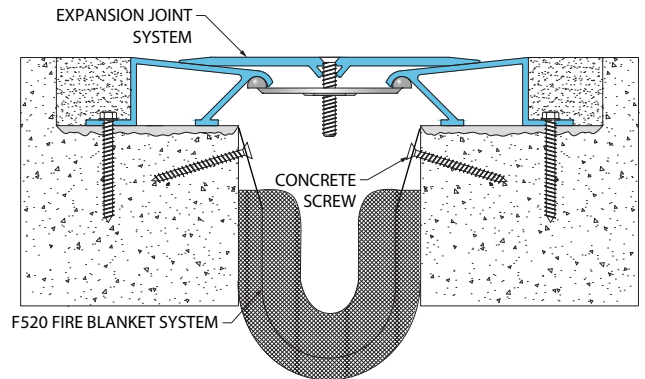
**Dual Sided Vertical- Wall to Wall
(811-A07-075 System Shown)**



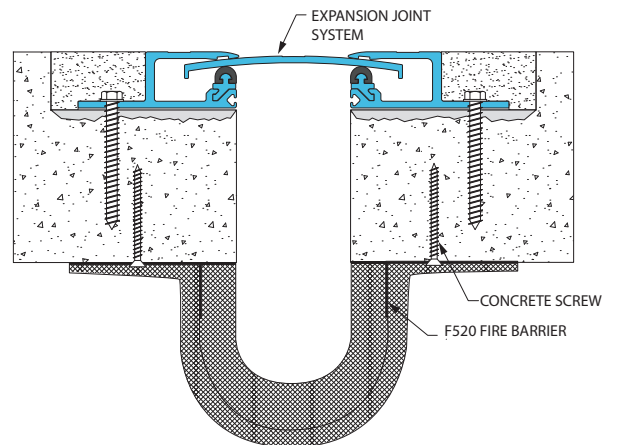
**Top (Flush) Mount - Floor to Floor
(300-A01-100 System Shown)**



**Inside (Recessed) Mount - Floor to Floor
(430-A01-100 System Shown)**



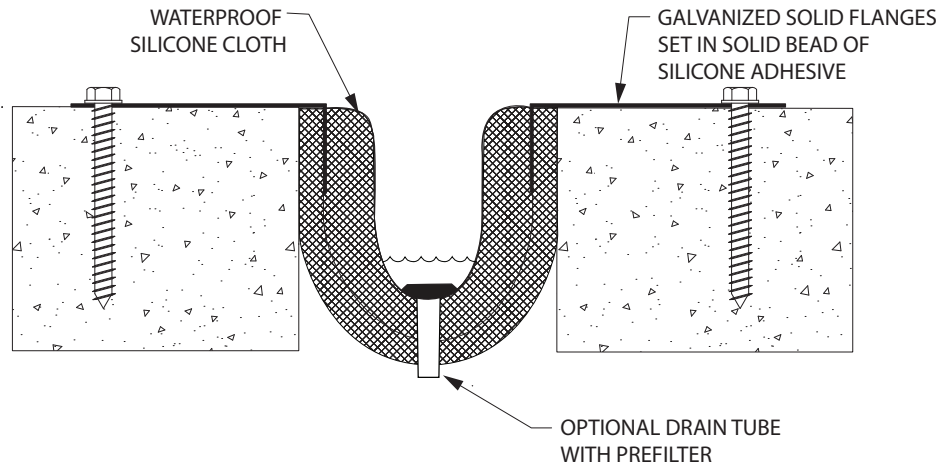
**Bottom Mount - Wall to Wall
(300-A01-100 System Shown)**



Fireline™ 520

Options

"Water Guard" System - Drain Option

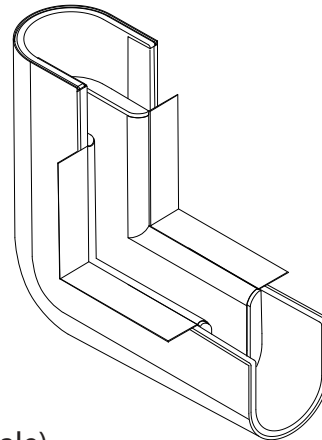
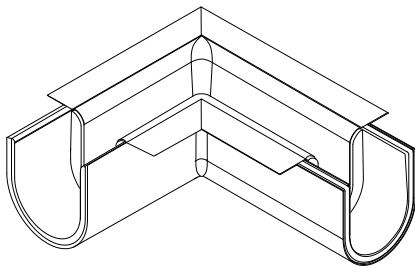


Pre-Fabricated Directional Changes

Available In Both Floor/Floor & Floor/Wall Conditions (Top Mount Shown)

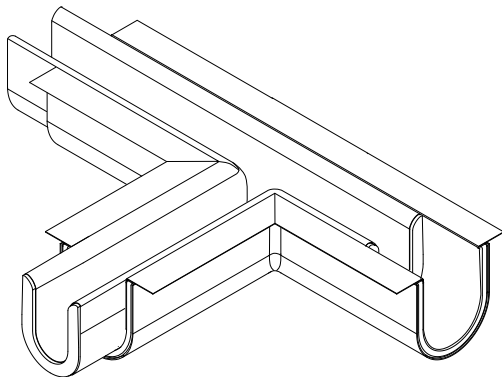
Horizontal to Vertical Transition

"L" Transition



(All End Conditions are Female)

"T" Transition



"X" Transition

