

Installation Instructions

High Impact Wall Base

WB4

Please read all instructions before installing the wall base.

Material must be stored, installed and used in environmentally controlled conditions.

1. Cut aluminum retainer to desired length, leaving allowance for end caps, inside corners and outside corners. See figure 1.

Fig. 1

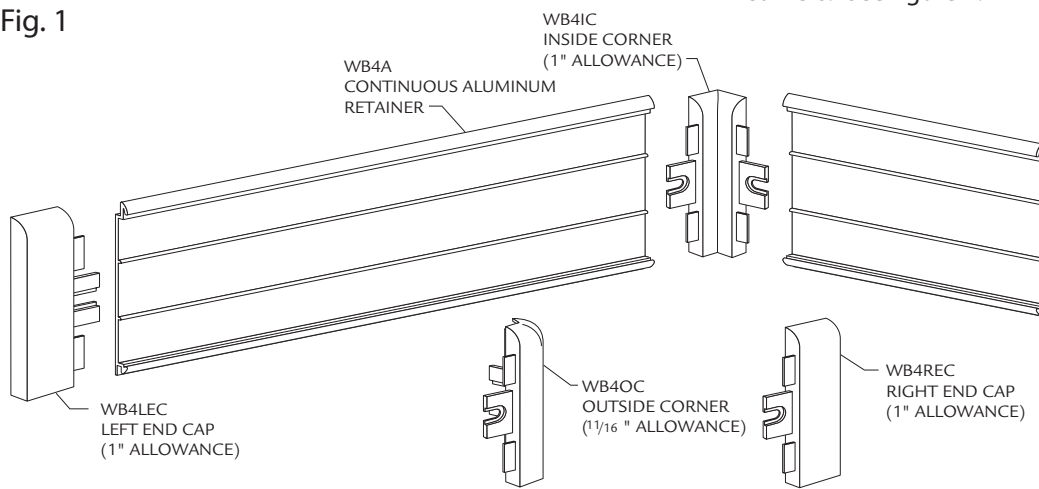
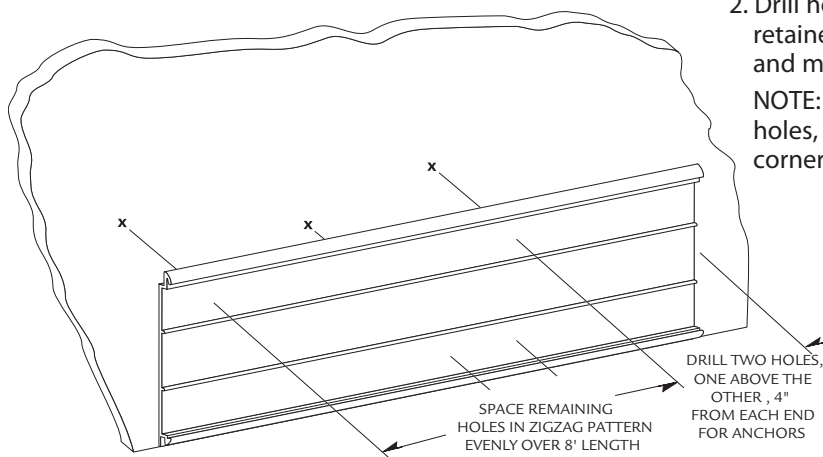


Fig. 2



2. Drill holes in the retainer using 1/4" drill bit. Position retainer on the wall allowing for end caps/corners. Level and mark holes. See Figure 2.

NOTE: For concrete or brick wall installation, drill 1/4" holes, 3/8" from each end of retainer for end caps/corners.

TOTAL OF 8 ANCHORS PER 8' LENGTH

IPC.591/REV.3



Installation Questions?
 Contact our Installation Hotline 866.EZINPRO
 For Sales & Customer Service call 800.222.5556

INPRO
IPC Interior Protection Products
 and Decorative Surfaces

Installation Instructions

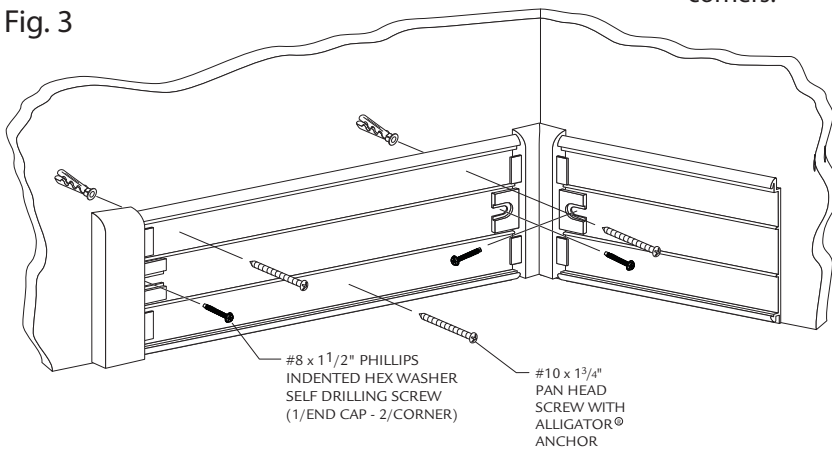
High Impact Wall Base

WB4

3. Drill marked holes on wall using a 1/4" drill bit and position Alligator anchors into holes. Mount retainer on wall and tighten screws to secure. Slide end caps and corners onto the retainer and secure, leaving a 1/16" gap between returns/corners and retainer to allow for adjustment. See figure 3.

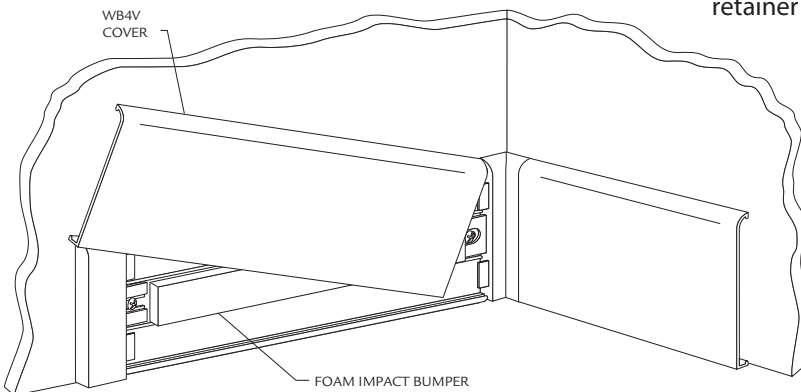
NOTE: For concrete or brick wall installation, use #10 x 1-3/4" Phillips pan head screws to secure end caps and corners.

Fig. 3



4. Cut the foam impact bumper to length between end caps and/or corners. Position foam impact bumper on the center of the retainer and press to ensure adhesion. Cut the cover to length between end caps and/or corners. (Note: trim factory edges square before installation). Position cover on retainer and adjust end caps and/or corner for a tight fit. Starting at one end, push cover onto retainer until it snaps into place. See figure 4.

Fig. 4



Installation Questions?
Contact our Installation Hotline 866.EZINPRO
For Sales & Customer Service call 800.222.5556

INPRO CORPORATION
Interior and Exterior Architectural Products