

J55 Series

Elastomeric Seal Systems for Floors
Available in Select Markets



Movement \pm 10%

Product Guide



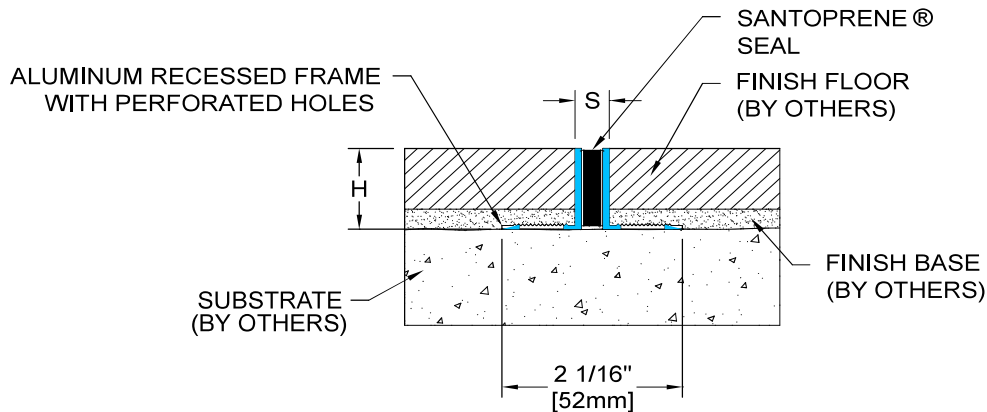
Thermal



Interior

- ▶ Flush control joint used to address daily thermal expansion and contraction of hard flooring finishes.
- ▶ Designed with a narrow surface profile to minimize impact to interior finishes.
- ▶ Flexible seal is composed of UV resistant Santoprene with a UL Environmental GreenGuard Gold Certification.
- ▶ Custom heights and Stainless Steel options exist to match project specific conditions.
- ▶ Seals are available in standard colors Black, Grey and Beige. Custom colors are available at additional cost and leadtime.
- ▶ Horizontal and vertical applications.

J55 Floor/Floor
25mm height shown



Application	System	W		H		S		Movement +/-		
		Joint Width		Frame Height		Sightline		Horizontal		Vertical
		US	mm	US	mm	US	mm	US	mm	
Floor/Floor	J55-10/13	3/8"	9	1/2"	13	3/8"	9	1/32"	1	*
	J55-10/25	3/8"	9	1"	25	3/8"	9	1/32"	1	*

IPC.1367/REV.6