

# Installation Instructions

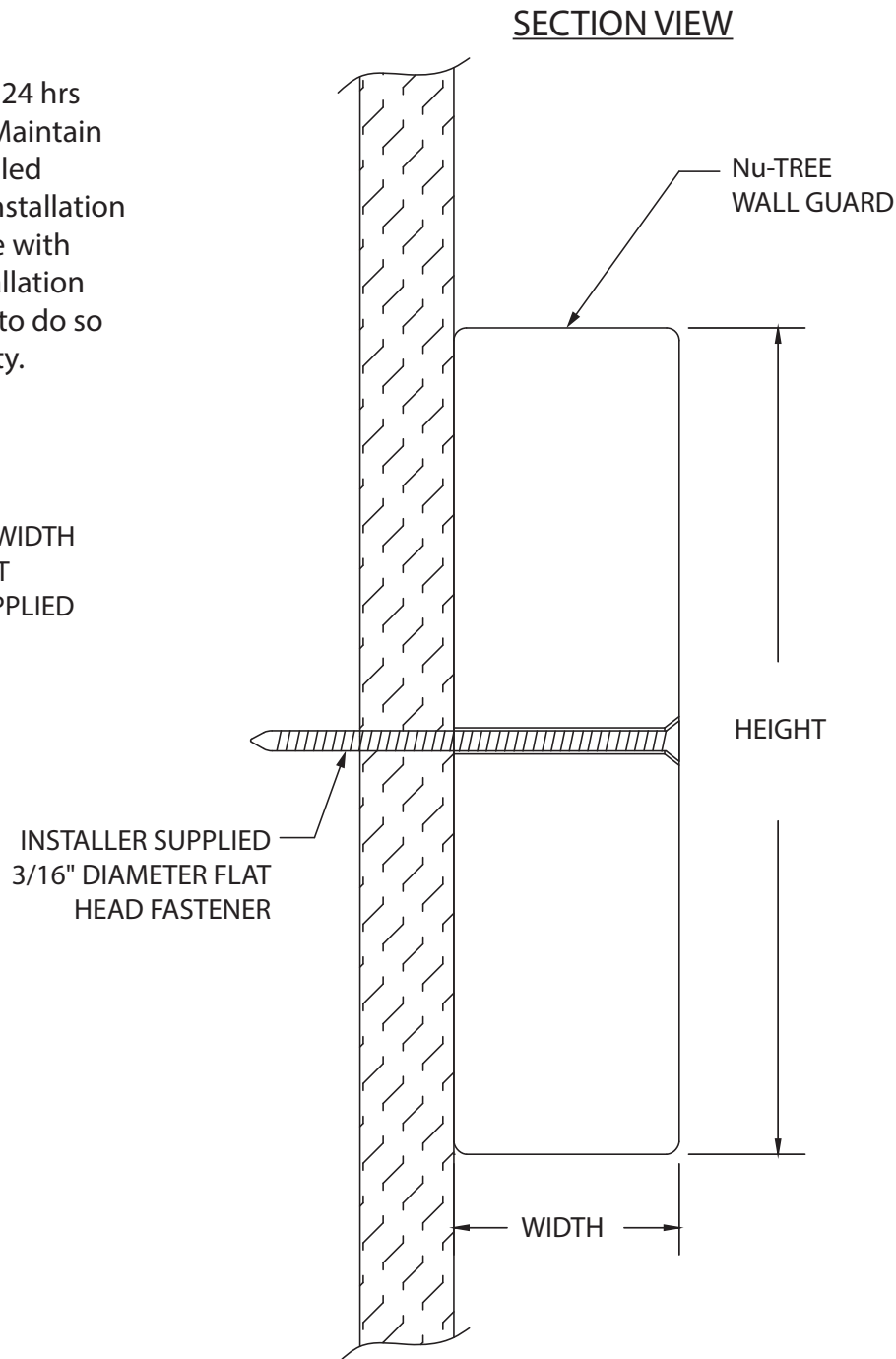
## Nu•Tree Wall Guard

Please read all instructions before installing wallguard.

### Important

1. Acclimate materials 24 hrs before installation. Maintain temperature controlled environment after installation
2. Install in accordance with manufacturer's installation instructions. Failure to do so will void the warranty.

**NOTE:** HEIGHT AND WIDTH DEPENDENT ON PART NUMBER. CHART SUPPLIED ON NEXT PAGE



### Recommended tools

Safety Glasses, Tape Measure, Level, Power Drill, Drill Bits, Power Miter Saw, 10" Blade with 60-80 Carbide Tipped Teeth

IPC.379/REV.5

Installation Hotline • 866.EZINPRO  
Inprocorp.com • 800.222.5556 • 262.679.9010  
World Headquarters S80 W18766 Apollo Drive, Muskego, WI 53150 USA

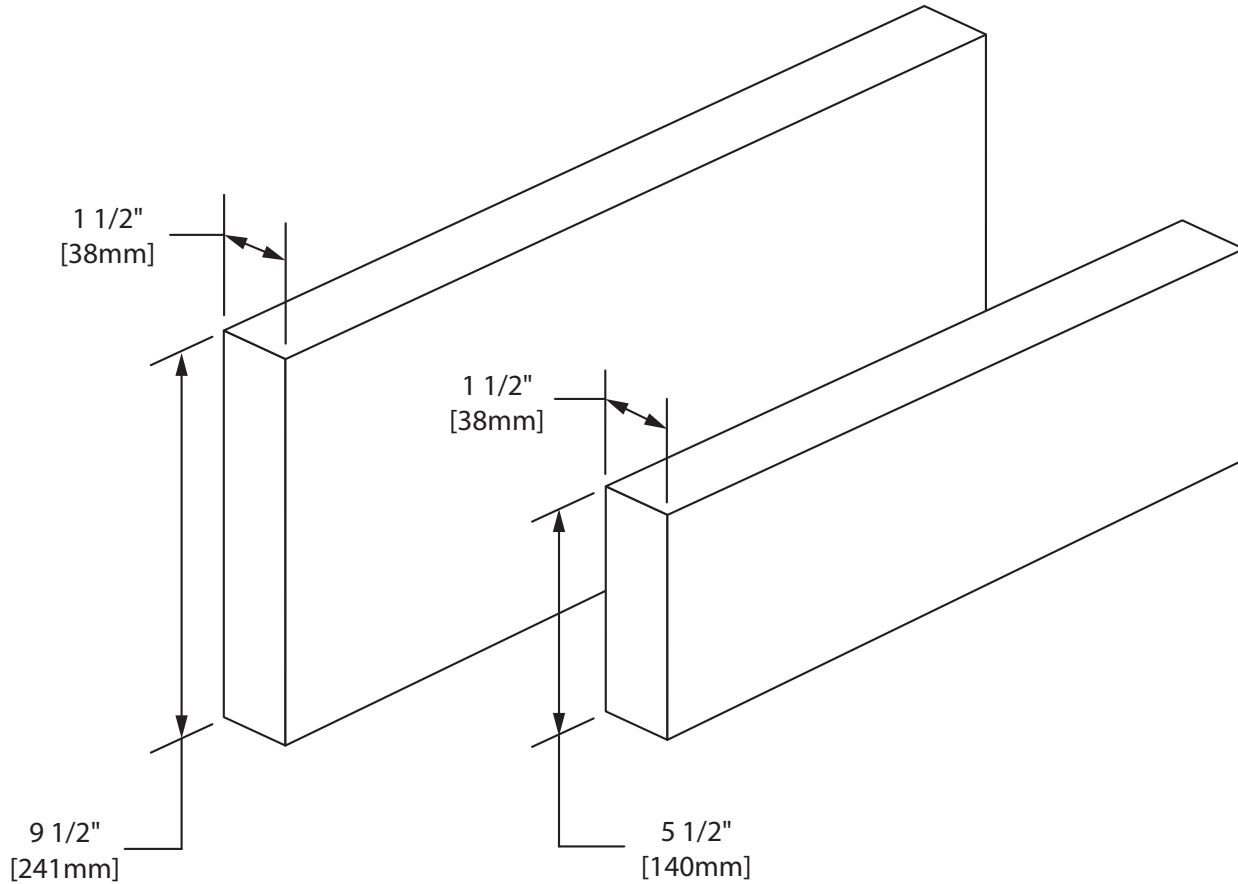
**IPC** •  
DOOR + WALL PROTECTION SYSTEMS  
A DIVISION OF INPRO®

# Installation Instructions

## Nu•Tree Wall Guard

Please read all instructions before installing wallguard.

### COMPONENTS AND FASTENERS



Part Number	Width	Height	Length
NT-140	1/2"	8"	12'
NT-518	1"	5 1/2"	12'
NT-690	1 1/2"	5 1/2"	12'
NT-694	1 1/2"	7 1/2"	12'
NT-695	1 1/2"	9 1/2"	12'

Installation Hotline • 866.EZINPRO  
 Inprocorp.com • 800.222.5556 • 262.679.9010  
 World Headquarters S80 W18766 Apollo Drive, Muskego, WI 53150 USA

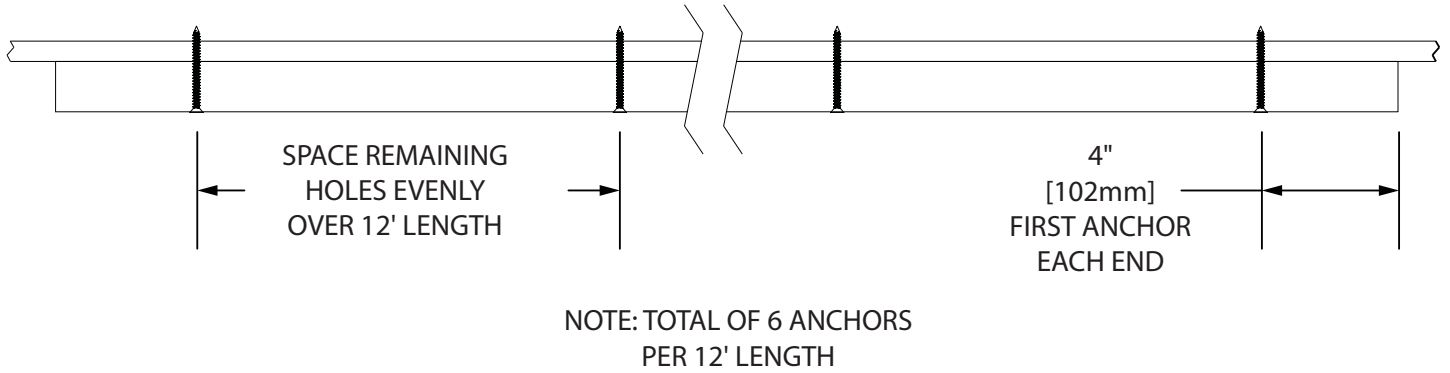
**IPC** •  
 DOOR + WALL PROTECTION SYSTEMS  
 A DIVISION OF INPRO®

# Installation Instructions

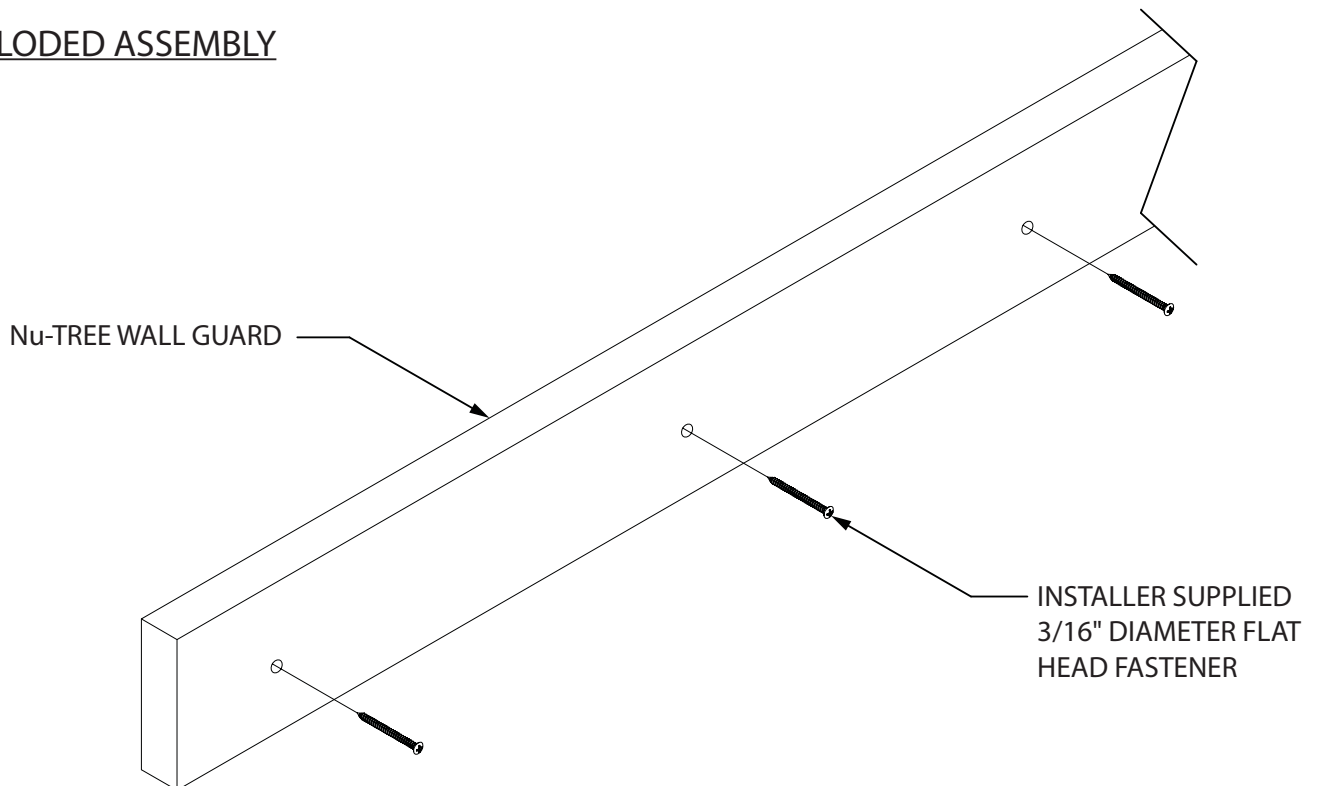
## Nu•Tree Wall Guard

Please read all instructions before installing wallguard.

### LAYOUT VIEW



### EXPLODED ASSEMBLY



Installation Hotline • 866.EZINPRO  
Inprocorp.com • 800.222.5556 • 262.679.9010  
World Headquarters S80 W18766 Apollo Drive, Muskego, WI 53150 USA

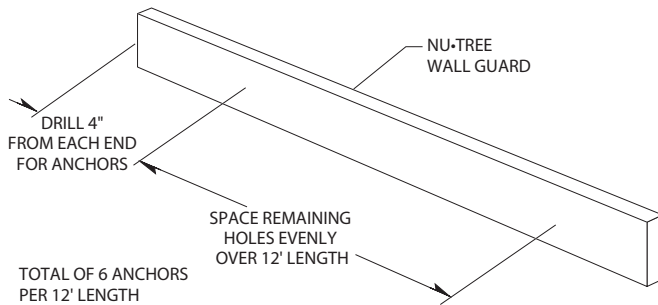
**IPC**®  
DOOR + WALL PROTECTION SYSTEMS  
A DIVISION OF INPRO®

# Installation Instructions

## Nu•Tree Wall Guard

Please read all instructions before installing wallguard.

FIG. 1

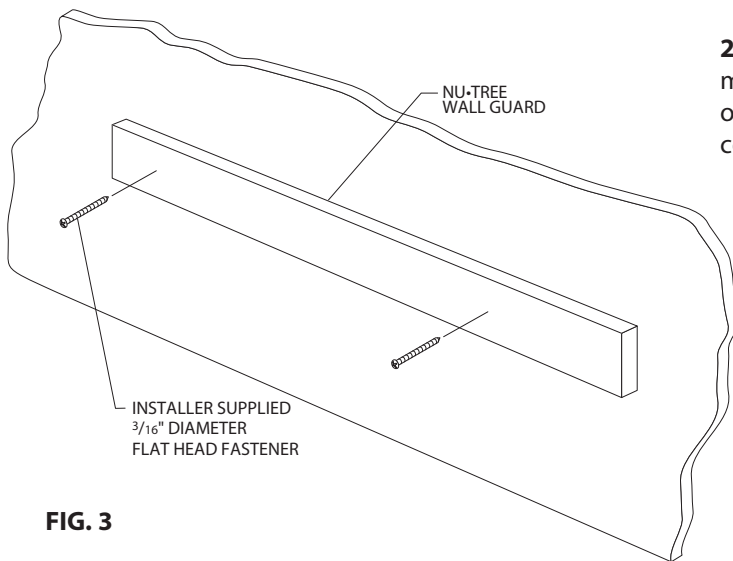


Please read all instructions before installing wall guard.

1. Cut wall guard to desired length. (Note: Trim factory edges square before installation). Select a  $\frac{3}{16}$ " diameter, flat head fastener that is an appropriate length for the wall guard and substrate. Drill  $\frac{3}{16}$ " holes on wall guard with a countersink to accommodate the fasteners. See Figure 1.

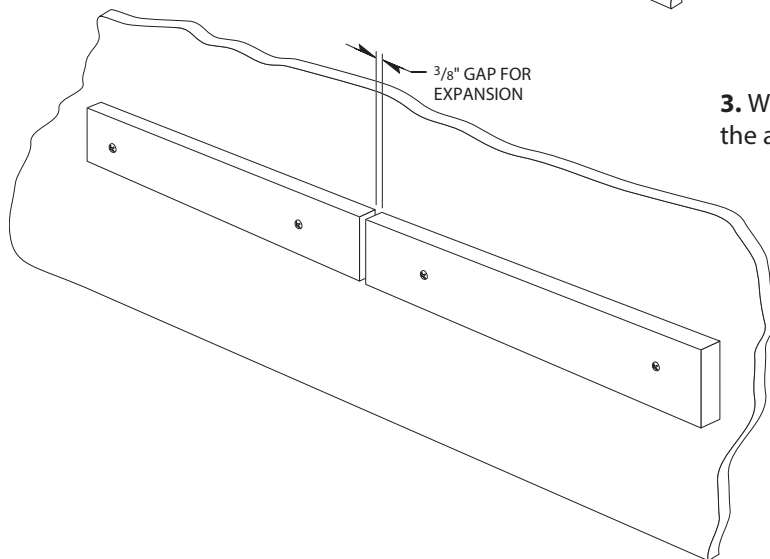
NOTE: For an exterior application, use stainless steel fasteners.

FIG. 2



2. Position wall guard on wall at desired height. Level and mark holes. Drill marked holes on wall. Mount wall guard on wall and tighten screws to secure. Screw head can be covered with colored caulk. See Figure 2.

FIG. 3



3. With lengths over 12', leave a  $\frac{3}{8}$ " [10mm] gap between the aligned pieces of wall guard for expansion. See Figure 3.