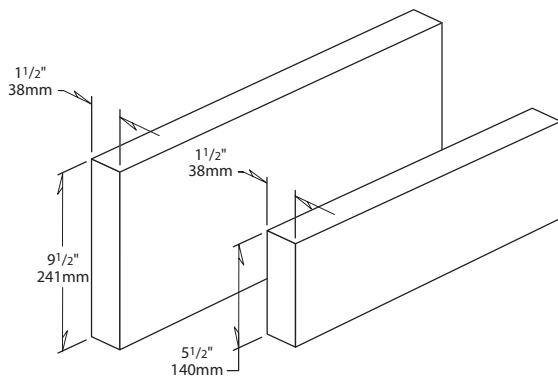


# NuTree®

## Wall Guard



- For use in heavy duty areas, such as loading docks and back of house areas
- Manufactured from your recycled number two plastic containers
- Fade resistant and easy to install
- Conform to NFPA class B fire rating
- Wall Guards available in four standard colors

IPC.378/REV.8

Inprocorp.com • 800.222.5556 • 262.679.9010  
World Headquarters S80 W18766 Apollo Drive, Muskego, WI 53150 USA

**IPC** •  
DOOR + WALL PROTECTION SYSTEMS  
A DIVISION OF INPRO®

# NuTree® Wall Guard

## Suggested Specifications

### Part 1 - GENERAL

#### 1.01 Summary

- A. Recycled plastic corner guards, wall guards and sheet material for wall protection

#### 1.02 SECTION INCLUDES

- A. NuTree Wall Guards

#### 1.03 REFERENCES

- A. American Society for Testing and Materials (ASTM)
- B. National Fire Protection Association (NFPA)

#### 1.04 SYSTEM DESCRIPTION

- A. Performance Requirements: Provide NuTree Wall Guards that conform to the following requirements of regulatory agencies and the quality control of IPC Door and Wall Protection Systems, InPro Corporation.
- 1. Fire Performance Characteristics: Provide NuTree Wall Guards conforming with NFPA Class B fire rating. Surface burning characteristics, as determined by ASTM E-84 shall be flame spread of 55 and smoke development of 450 or less.
- 2. Compression: Provide NuTree Wall Guards made of material that has a compression of 92,249 psi, secant modulus and 1,734 stress at 3% strain as tested in accordance with ASTM D6108, Standard Test Method for Compressive Properties of Plastic Lumber and Shapes.
- 3. Density: Provide NuTree Wall Guards made of material that has a density of .68559 grams/cubic centimeter as tested in accordance with ASTM D6111, Standard Test Method for Bulk Density and Specific Gravity of Plastic Lumber and Shapes by displacement.
- 4. Flexure: Provide NuTree Wall Guards made of material that has a flexure of 98,956 psi, secant modulus and 1,948 stress at 3% strain as tested in accordance with ASTM D6109, Standard Test Method for Flexural Properties of Unreinforced and Reinforced Plastic Lumber.
- 5. Fastener Shear: Provide NuTree Wall Guards made of material that has a fastener shear maximum load of 2,464 pounds as tested in accordance with ASTM D6177, Standard Test Methods for Mechanical Fasteners in Plastic Lumber and Shapes.

#### 1.05 SUBMITTALS

- A. Product Data: Manufacturer's printed product data for each type of wall protection specified.
- B. Detail Drawings:
- C. Samples: Verification samples of wall protection, in full size profiles of each type and color indicated.
- D. Manufacturer's Installation Instruction: Printed installation instructions for NuTree Wall Protection.

#### 1.06 DELIVERY, STORAGE AND HANDLING

- A. Deliver materials in unopened factory packaging to the jobsite
- B. Inspect materials at delivery to assure that specified products have been received.
- C. Store in original packaging in a climate controlled location away from direct sunlight.

#### 1.07 WARRANTY

- A. Standard IPC Limited Lifetime Warranty against material and manufacturing.

### PART 2 - PRODUCTS

#### 2.01 MANUFACTURER

- A. Acceptable Manufacturer/Distributor: IPC Door and Wall Protection Systems, InPro Corporation, PO Box 406 Muskego, WI 53150 USA; Telephone: 800.222.5556, Fax: 888.715.8407, www.inprocorp.com
- B. Substitutions: Not permitted
- C. Provide all NuTree Wall Guards from a single source.

#### 2.02 MANUFACTURED UNITS

- A. Wall Guard Profile
- 1. NuTree Wall Guard
- Model number, dimensions
- NT-180, 6" (152mm) height x 1/2"(13mm) depth
- NT-140, 8" (20mm) height x 1/2"(13mm) depth
- NT-250, 3 1/2" (89mm) height x 3/4"(19mm) depth
- NT-518, 5 1/2" (140mm) height x 1"(25mm) depth
- NT-690, 5 1/2" (140mm) height x 1 1/2" (38mm) depth
- NT-694, 7 1/2" (190mm) height x 1 1/2" (38mm) depth
- NT-695, 9 1/2" (241mm) height x 1 1/2" (38mm) depth
- Standard length 12' (3.66m)

#### 2.03 MATERIALS

- A. High Density Polyethylene: Lengths of high density polyethylene shall be extruded from chemical and stain resistant post consumer and post industrial recycled material.

#### 2.04 FINISHES

- A. NuTree Wall Guards: Colors of the wall guard to be selected by the architect from 4 standard colors. Surface shall be smooth.

### PART 3 - EXECUTION

#### 3.01 EXAMINATION

- A. Examine areas and conditions in which the wall protection will be installed.
- 1. Complete all finishing operations, including painting, before beginning installation of wall protection materials.

- B. Wall surface shall be dry and free from dirt, grease and loose paint.

#### 3.02 PREPARATION

- A. General: Prior to installation, clean substrate to remove dust, debris and loose particles.

#### 3.03 INSTALLATION

- A. General: Locate wall guard as indicated on the approved detail drawing for the appropriate substrate, and in compliance with the IPC installation instructions. Install wall guard level and plumb at the height indicated on the drawings.
- B. Installation of NuTree Wall Guards:
  1. Cut the wall guard to the required length. NOTE: Trim all factory edges square before installation.
  2. Select a 3/16" diameter, bevel-headed fastener that is an appropriate length for the wall guard and the substrate. If mounting wall guards in an exterior environment use stainless steel fasteners. Drill 3/16" holes with a countersink to accommodate the bevel-headed fastener on the wall guard. Holes should be 4" (102mm) from each end and spaced evenly over the entire length (6 anchors per 12' (3.66m) length).
  3. Position and level the wall guard on the wall, and transfer mounting holes to the wall with a marker. Drill appropriate holes for the fastener system at each mark on the wall. Mount the wall guard with the fasteners tighten the screws to secure the wall guard. You may choose to cover the screw head with colored caulk.
  4. With lengths over 12' (3.66m), align the pieces of the wall guard on the wall leaving an 3/8" (9.5mm) to 1/2" (13mm) gap to allow for expansion between sections. Secure them to the wall with fasteners, 4" on either side of the joint.

#### 3.04 CLEANING

- A. At completion of the installation, clean surfaces in accordance with the IPC clean up and maintenance instructions.