

# Installation Instructions

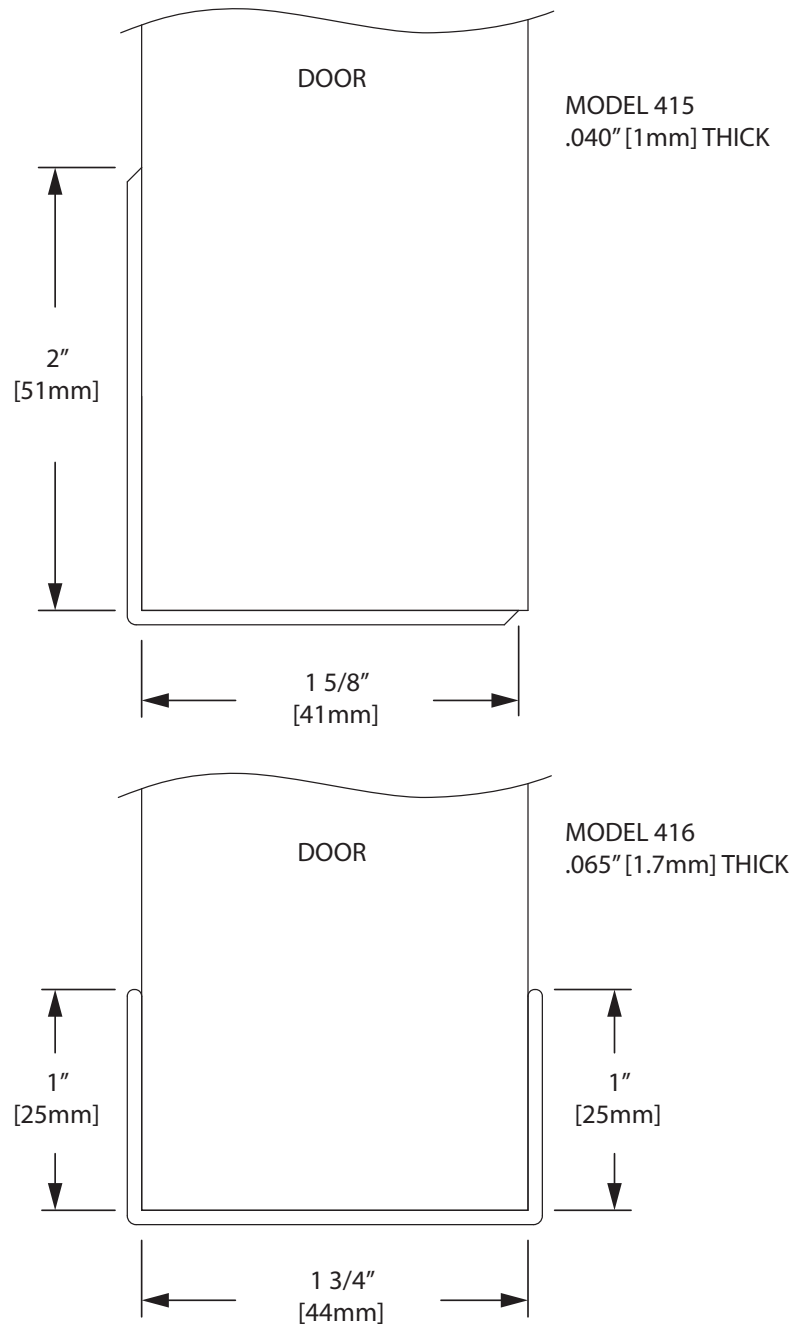
## Palladium® Rigid Vinyl or Palladium® G2 Door Edge Protector:

Models L-Shaped (415, 415N, G2-415, G2-415N), U-Shaped (416TC, 416TS, G2-416TC, G2-416TS)

### Important

1. Acclimate materials 24 hrs before installation. Maintain temperature controlled environment after installation.
2. Install in accordance with manufacturer's installation instructions. Failure to do so will void the warranty.

### Section View



### Recommended tools

Safety Glasses, Tape Measure, Level, Power Drill, Drill Bits - (concrete/concrete block), Power Miter Saw, 10" Blade with 60-80 Carbide Tipped Teeth

IPC.451/REV.8

Installation Hotline • 866.EZINPRO  
Inprocorp.com • 800.222.5556 • 262.679.9010  
World Headquarters S80 W18766 Apollo Drive, Muskego, WI 53150 USA

**IPC®**  
DOOR + WALL PROTECTION SYSTEMS  
A DIVISION OF INPRO®

# Installation Instructions

## Palladium® Rigid Vinyl or Palladium® G2 Door Edge Protector:

Models L-Shaped (415, 415N, G2-415, G2-415N), U-Shaped (416TC, 416TS, G2-416TC, G2-416TS)

### Components and Fasteners



415, 415N, G2-415, G2-415N  
RIGID VINYL  
DOOR EDGE PROTECTOR  
(TAPE-ON & ADHESIVE MOUNT)



416TC, 416TS, G2-416TC, G2-416TS  
RIGID VINYL  
DOOR EDGE PROTECTOR  
(ADHESIVE & SCREW MOUNT)

Condition	Specified Fasteners	Inpro Part #
Wood	#6 x 3/4" Flat Head Self-Tapping Screw	HW51

Installation Hotline • 866.EZINPRO  
Inprocorp.com • 800.222.5556 • 262.679.9010  
World Headquarters S80 W18766 Apollo Drive, Muskego, WI 53150 USA

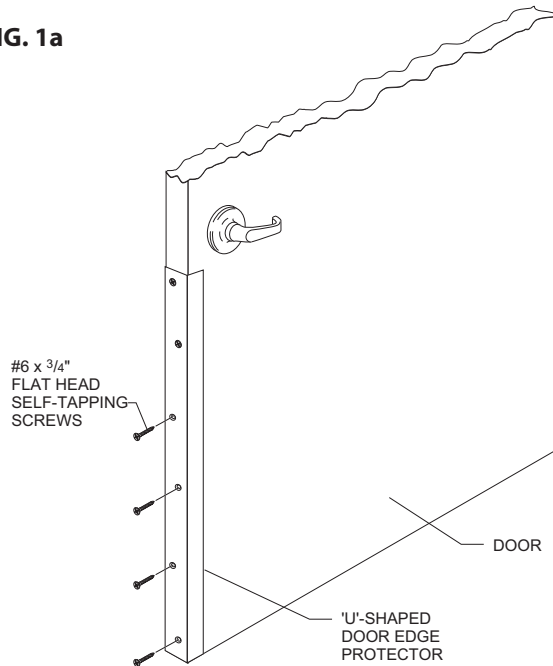
**IPC** •  
DOOR + WALL PROTECTION SYSTEMS  
A DIVISION OF INPRO®

# Installation Instructions

## Palladium® Rigid Vinyl or Palladium® G2 Door Edge Protector:

Models L-Shaped (415, 415N, G2-415, G2-415N), U-Shaped (416TC, 416TS, G2-416TC, G2-416TS)

FIG. 1a



**Please read all instructions before installing door edge protector.**

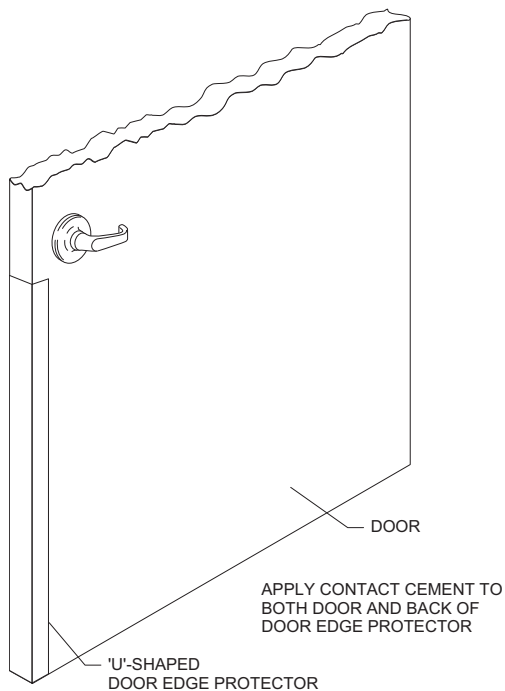
1. Allow door edge protector to reach room temperature before installing. The door surface must be dry and free of dirt, dust, oil, loose pain, wax and grease. Check the door clearance to see if the door will close properly with door edge protector in place. If needed, plane the edge of the door where the door edge protector will be mounted until there is proper clearance.

### 2. U-SHAPED DOOR EDGE PROTECTOR INSTALLATION

**a. SCREW MOUNT** - Attach door edge protector to door with provided self-tapping screws. SEE FIG. 1a

**b. ADHESIVE MOUNT** - Apply contact cement on the 1-3/4" (44mm) wide area on the inside of the door edge protector and on the edge of the door. Let contact cement dry completely. Properly position the door edge protector on the door and apply pressure with an IPC extension roller. SEE FIG. 1b

FIG. 1b



Installation Hotline • 866.EZINPRO

Inprocorp.com • 800.222.5556 • 262.679.9010

World Headquarters S80 W18766 Apollo Drive, Muskego, WI 53150 USA

IPC®

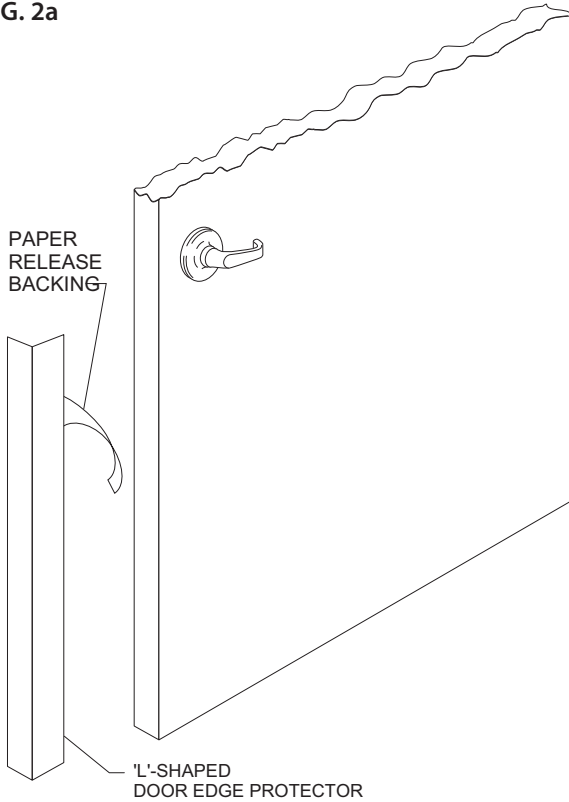
DOOR + WALL PROTECTION SYSTEMS  
A DIVISION OF INPRO®

# Installation Instructions

## Palladium® Rigid Vinyl or Palladium® G2 Door Edge Protector:

Models L-Shaped (415, 415N, G2-415, G2-415N), U-Shaped (416TC, 416TS, G2-416TC, G2-416TS)

FIG. 2a



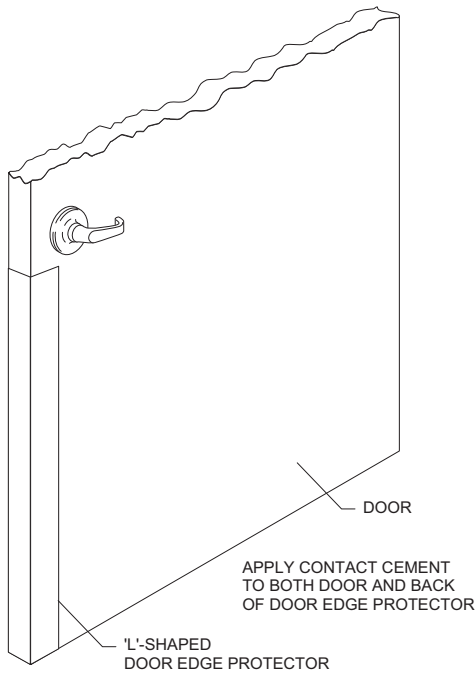
**Please read all instructions before installing door edge protector.**

### 3. L-SHAPED DOOR EDGE PROTECTOR INSTALLATION

a. TAPE-ON MOUNT - Peel paper release backing from the door edge protector and position on the door. Apply pressure with an IPC extension roller over the entire surface. SEE FIG. 2a

b. ADHESIVE MOUNT - Apply contact cement on the 1-3/4" (44mm) wide area on the inside of the door edge protector and on the edge of the door. Let contact cement dry completely. Properly position the door edge protector on the door and apply pressure with an IPC extension roller. SEE FIG. 2b

FIG. 2b



Installation Hotline • 866.EZINPRO

Inprocorp.com • 800.222.5556 • 262.679.9010

World Headquarters S80 W18766 Apollo Drive, Muskego, WI 53150 USA

IPC®

DOOR + WALL PROTECTION SYSTEMS  
A DIVISION OF INPRO®