

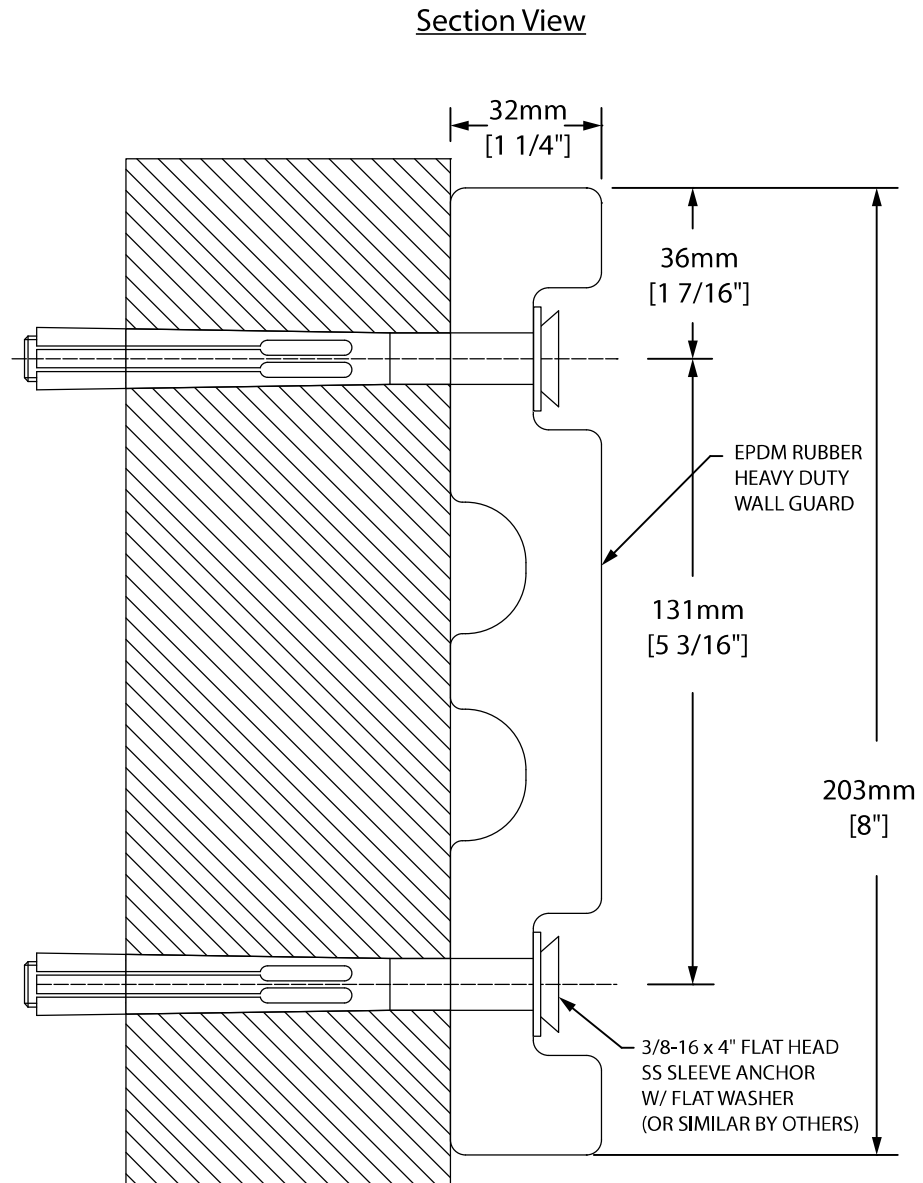
Installation Instructions

Please read all instructions before installing wallguard.

UK Heavy Duty Rubber E-Fender Wall Guard

Important

1. Acclimate materials 24 hrs before installation. Maintain temperature controlled environment after installation.
2. Install in accordance with manufacturer's installation instructions. Failure to do so will void the warranty.



RECOMMENDED TOOLS

Safety Glasses, Tape Measure, Power Drill, Power Miter Saw, Drill Bits - 3/4" drywall and 1/4" masonry (concrete/concrete block)

IPC.3233/REV.1

IPC® Door + Wall Protection

inpro.com • 800.222.5556 • 262.679.9010

World Headquarters S80 W18766 Apollo Drive, Muskego, WI 53150 USA

Installation Hotline: 866.394.6776

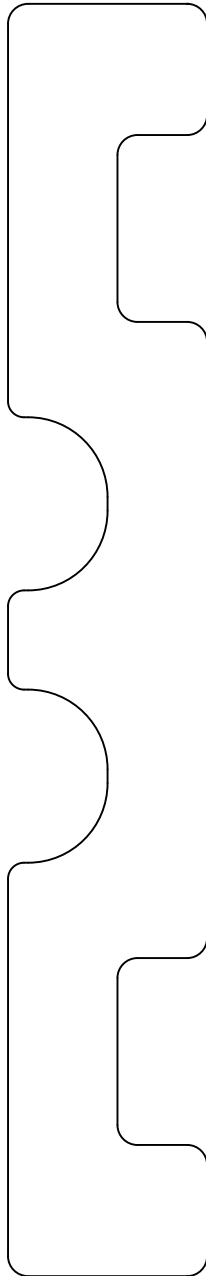
inpro®

Installation Instructions

Please read all instructions before installing wallguard.

UK Heavy Duty Rubber E-Fender Wall Guard

Components



DW-WALL200-UK
HEAVY DUTY
WALL GUARD

IPC® Door + Wall Protection

inpro.com • 800.222.5556 • 262.679.9010

World Headquarters S80 W18766 Apollo Drive, Muskego, WI 53150 USA

Installation Hotline: 866.394.6776

inpro®

Installation Instructions

Please read all instructions before installing wallguard.

UK Heavy Duty Rubber E-Fender Wall Guard

FIG. 1

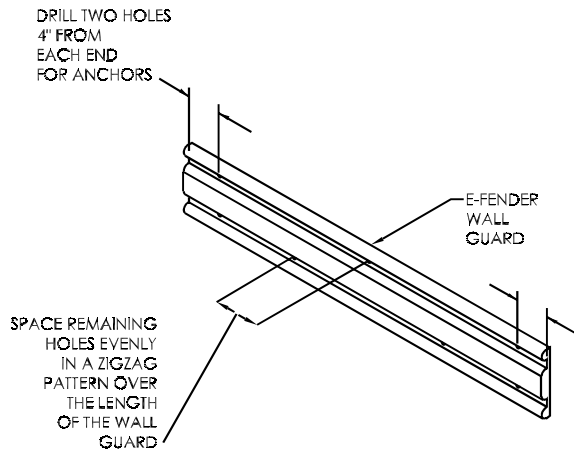


FIG. 2

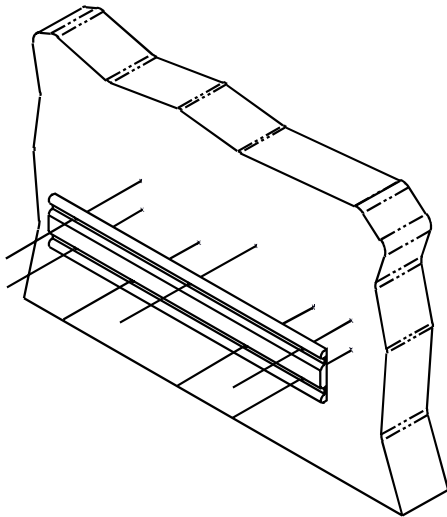
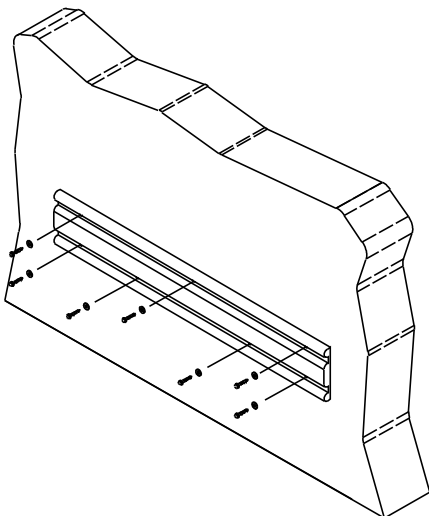


FIG. 3



Note: Wall guards are rough-cut; cut square if needed. Height of the Wall Guard will vary over the length of the product. Ends are marked in sequential order, align the pieces of the "run" before installing. This product may have water marks, use "Bio-Guard" if desired to clean rubber. Use "Back to Black" tire cleaner for stubborn marks non water related.

1. Cut the wall guard to desired length. Drill 11mm [7/16"] mounting holes in the wall guard, two at 100mm [4"] from each end and the remaining in a zigzag pattern, no more than 813mm [32"] apart. (Fig 1)
2. Making sure pieces are in sequential order, use the wall guard as a template and mark the location of the mounting holes to the wall. Select a 10mm [3/8"] stainless steel fastener that is appropriate for the substrate. Drill holes in the wall using the drill size recommended by the fastener manufacturer. (Fig 2)
3. Attach the wall guard to the wall with flat washers and fasteners. Do not over tighten, this will cause distortion in the rubber wall guard. (Fig 3-4)

FIG. 4

