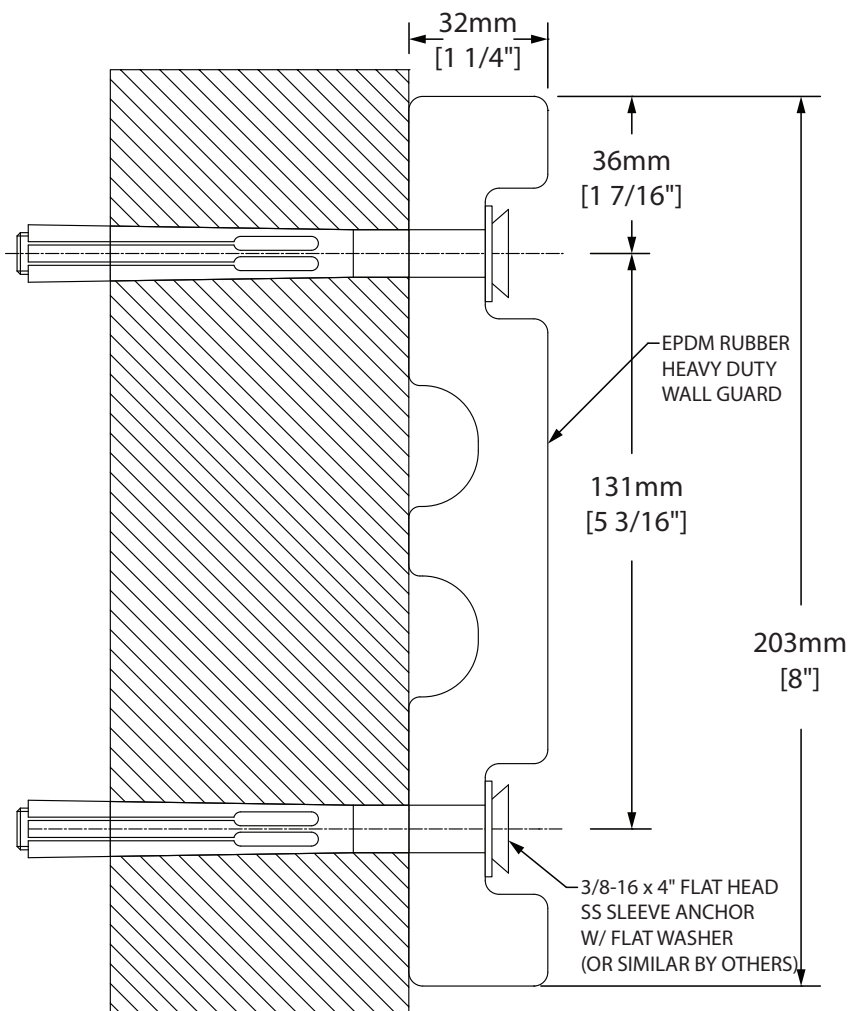


UK Heavy Duty Rubber Wall Guard

Suggested Specifications



- E-Fender – 203mm (8.00") height
- Manufactured in 3m (118.11") standard lengths
- Suitable for interior and exterior applications
- Available in black



IPC.3232/REV.1

UK Heavy Duty Rubber Wall Guard

Suggested Specification

Part 1 - GENERAL

1.01 SUMMARY

A. Rubber wall guards for wall protection

1.02 SECTION INCLUDES

A. Heavy Duty Rubber Wall Guards

1.03 REFERENCES

A. British Standard (BS)

B. International Rubber Hardness Degree (IRHD)

C. American Standard for Testing and Materials (ASTM)

1.04 SYSTEM DESCRIPTION

A. Performance Requirements Wall Guards:

Provide heavy duty rubber walls guards that conform to the following requirements of regulatory agencies and the quality control of Inpro Corporation.

1. Tensile: Provide heavy duty rubber wall guards with a maximum tensile of 14 mn/m², when tested in accordance with BS 903 A2.

2. Elongation: Provide heavy duty rubber wall guard with a 300% minimum elongation when tested in accordance with BS 903 A2.

3. Hardness: Provide heavy duty rubber wall guards with a hardness of 65-75 IRHD when tested in accordance with BS 903 A26.

4. Compression Set: Provide heavy duty rubber wall guards with a maximum compression set of 30% when tested in accordance with BS 903 A6A for 22 hours at 70°C.

5. Tear Resistance: Provide heavy duty rubber wall guards with a minimum tear resistance of 40N/mn when tested in accordance with BS 903 A3,m method C.

1.05 SUBMITTALS

A. Product Data: Manufacturer's printed product data for each type of protection product specified.

B. Detail Drawings:

C. Samples: Verification samples of wall protection, corner guards, speed bump, parking assist in full size profiles of each type indicated.

D. Manufacturer's Installation Instruction:

Printed installation instructions for heavy duty rubber wall protection, corner protection, traffic calming, and parking assist.

1.06 DELIVERY, STORAGE AND HANDLING

A. Deliver materials in unopened factory packaging to the jobsite

B. Inspect materials at delivery to assure that specified products have been received.

C. Store in original packaging in a climate controlled location away from direct sunlight.

1.07 WARRANTY

A. Wall and Corner Protection: Standard Inpro Limited Lifetime Warranty against material and manufacturing.

PART 2 - PRODUCTS

2.01 MANUFACTURER

A. Acceptable Manufacturer/Distributor: Inpro Corporation

S80 W18766 Apollo Drive

Muskego, WI 53150 USA;

Telephone: 800-222-5556, Fax: 888-715-8407,

Internet address: <http://www.inprocorp.com>

B. Substitutions: Not permitted.

C. Provide all heavy duty rubber wall guards from a single source.

2.02 MANUFACTURED UNITS

A. Wall Guard Profile

1. Heavy Duty EPDM Wall Guard Model number:

DW-WALL200-UK, 203mm(8.00") height x

32mm(1.25") depth

2.03 MATERIALS

A. Heavy duty rubber wall guard shall be extruded from UV resistant and ageing resistant ethylene propylene diene monomer (EPDM).

2.04 FINISHES

A. Heavy Duty Rubber Wall Guards: Colors of the wall and corner guard shall be black in a uniform quality and free from foreign substances.

PART 3 - EXECUTION

3.01 EXAMINATION

A. Examine areas and conditions in which the wall protection will be installed.

1. Complete all finishing operations, including painting, before beginning installation of wall protection materials.

B. Wall surface shall be dry and free from dirt, grease and loose paint.

3.02 PREPARATION

A. General: Prior to installation, clean substrate to remove dust, debris and loose particles.

3.03 INSTALLATION

A. General: Locate product as indicated on the approved detail drawing for the appropriate substrate, and in compliance with the Inpro installation instructions. Install product level and plumb at the location indicated on the drawings.

3.04 CLEANING

A. At completion of the installation, clean surfaces in accordance with the Inpro clean up and maintenance instructions..